



## VOLUMETRIC SELECTABLE TROFFER

### FEATURES

- Ultra-shallow 2.1" depth ideal for low plenum spaces, with a matte white post-paint finish for uniform, indirect illumination.
- Supports grid, flange, and surface mounting for easy installation in diverse applications.
- Controls ready for interface with NUROAir System.
- Available in 1x4, 2x2, and 2x4 sizes, with field-selectable or factory-set lumen outputs ranging from 2,000-8,000 lumens.
- Field-selectable or factory-set CCT options (2700K, 3000K, 3500K, 4000K, and 5000K).
- Delivers up to 150 lm/W efficacy, >80 CRI, and supports integrated wireless control options for enhanced energy savings.
- Calculated L70 >100,000 hours, ambient temperature range of -4°F to 104°F, 0-10V Dimmable Driver (100%-10%).
- DLC® Premium qualified and ETL listed, backed by a 5-year standard warranty.

### DIGITAL NAVIGATION

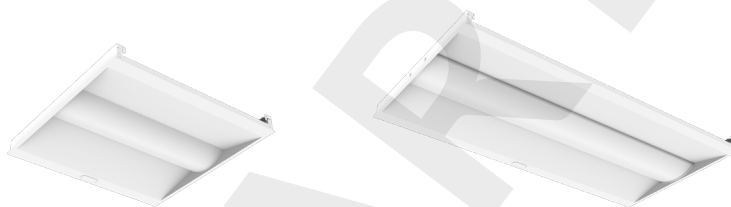
Explore the spec sheet through the links below

[ORDERING GUIDE](#)  
[CONTROLS](#)

[QUICK SHIP](#)  
[OPTIONS](#)

[LED SYSTEMS TABLE](#)  
[LINE DRAWINGS](#)

[AMBIENT TEMP. RANGE](#)  
[PHOTOMETRIC DATA](#)



### SUITABLE APPLICATIONS

- Education
- Retail
- Healthcare
- Storage Facility
- Commercial Office

### CERTIFICATIONS



\*Optional

### SPECIFICATIONS

#### CONSTRUCTION

“Steel housing white finish body for rigidity, durability and ease of installation. Matte white post paint finish for uniform indirect illumination. Designed to achieve maximum performance and improved aesthetics.

#### ELECTRICAL

Class 2 LED light engine for high efficacy and long life. Calculated L70 > 100,000 hrs. LED Lumen Maintenance Estimates based on TM-21 projections for the light source at 25°C ambient. Power Factor > 0.90. Standard 120-277 Vac 0-10V dimmable (10%-100%) with optional 347 Vac step down transformer. Optional emergency battery backups available to meet critical life safety lighting requirements. Lumen and CCT Selectable fixtures allow for ease of adjustment with switches located on top side of driver. Lumen Selectable fixtures ship at the highest lumen output. CCT Selectable fixtures ship at 4000K.

#### INSTALLATION

VST fits into standard 9/16" & 15/16" T-grid ceiling. Optional Flange Kit (FLGK) for recessed drywall mounting & Surface Mount (SM) to ceiling mount options available. Access plate installed on top of fixture for easy hardwire power connections. Optional factory installed power flex conduit whip (MC) available to reduce electrical installation time.

#### OPTICS

Standard high transmission PMMA frosted polycarbonate lens. Field removeable lens for easy access to LED boards, drivers and maintenance.

#### CONTROLS

Factory installed sensor options available to maximize energy savings. Sensors are installed integral to the fixture body. Please see more information below on Page 3. Inquire with manufacturer for additional controls options, including customer supplied items.

#### CERTIFICATIONS

ETL Listed to US and Canadian safety standards. Suitable for insulation contact with Type IC rated. Suitable for damp locations. Title 24 Compliant with sensor option; see local ordinance for qualification information.

#### WARRANTY

5 Year Warranty Standard; 10 Year Warranty Optional ([Terms and Conditions apply](#)).



# VOLUMETRIC SELECTABLE TROFFER

## ORDERING GUIDE

PART # Example: VST24-7L-U-CCTS-NURO

SERIES	LUMENS	DRIVER	CCT	GENERATION	CONTROLS READY
VST14 1' x 4' Volumetric Troffer	20L/40L Lumen Selectable 20L 2,000 lm 25L 2,500 lm 30L 3,000 lm 40L 4,000 lm	U 120-277V	CCTS CCT Selectable 27K/30K/35K/40K/50K 27 2700K 30 3000K 35 3500K 40 4000K 50 5000K	G2 Gen 2	CR Controls Ready
VST22 2' x 2' Volumetric Troffer	20L/40L Lumen Selectable 20L 2,000 lm 25L 2,500 lm 30L 3,000 lm 40L 4,000 lm				
VST24 2' x 4' Volumetric Troffer	25L/50L Lumen Selectable 50L/80L Lumen Selectable 25L 2,500 lm 30L 3,000 lm 40L 4,000 lm 50L 5,000 lm 55L 5,500 lm 65L 6,500 lm 80L 8,000 lm				

ALT DRIVERS	EMERGENCY	CONTROLS OPTIONS	STEP DOWN
BLANK None SR <sup>4</sup> Sensor-Ready Driver BLD <sup>4,7</sup> Bi-Level Dimming Driver DIM1 <sup>4</sup> 1% Dimming Driver	BLANK None EM5 5W LED Factory Installed Battery Backup EM5/HE <sup>1</sup> 5W LED Factory Installed Battery Backup EM7 7W LED Factory Installed Battery Backup EM7/HE <sup>1</sup> 7W LED Factory Installed Battery Backup EM10 10W LED Factory Installed Battery Backup EM10/HE <sup>1</sup> 10W LED Factory Installed Battery Backup EM10/HE/SD <sup>1</sup> 10W LED Factory Installed Self-Diagnosing Battery Backup EM12 12W LED Factory Installed Battery Backup	<b>ADVANCED</b> BLANK None NURO <sup>5,8</sup> NUROAir Integrated Bluetooth Groupable Sensor VDO <sup>3,4</sup> Lutron Vive Daylight & Occupancy Sensor VRF <sup>3,4</sup> Lutron Vive Radio Frequency Only	BLANK None SD347 <sup>2</sup> 347V Step Down Transformer

CORD	WARRANTY
BLANK 5 Year MCx/yW Metal Conduit (x = Length; 6,10,15) (y = # of conductors; 3,4,5,6)	BLANK 5 Year 10YR <sup>6</sup> 10 Year

SHIP WITH ACCESSORIES	
NURO-SW-3B-BA-BL-WP-V1	NUROAir Bluetooth 3-Key Wireless Battery Powered Wall Switch
NURO-SW-5B-BA-BL-WP-V1	NUROAir Bluetooth 5-Key Wireless Battery Powered Wall Switch
NURO-SW-7B-AC-BL-WP-V1	NUROAir Bluetooth 7-Key Line Voltage (AC 120-277V) Powered Wall Switch
+VSTxx SM	Surface Mount Kit (xx=size, 14, 22, or 24)
FLGKxx	Flange Mount Kit

### FOOTNOTES

- <sup>1</sup> CEC Title 20 Compliant
- <sup>2</sup> Does not qualify for DLC
- <sup>3</sup> Must be used with SR Sensor Ready Driver
- <sup>4</sup> Not compatible with the Lumen selectable and CCT selectable functions
- <sup>5</sup> Easily Controlled via Mobile Phone with Bluetooth App
- <sup>6</sup> Contact factory for more details
- <sup>7</sup> Will not work with the stepdowns or sensors
- <sup>8</sup> Must be ordered with dedicated Lumen Output





# VOLUMETRIC SELECTABLE TROFFER

## ADVANCED CONTROLS OPTIONS

### NUROAir by ILLUMUS

#### NURO

NUROAir Integrated Sensor is the optimal groupable controls lighting solution. With main features such as Passive Infrared (PIR), Occupancy, and Daylight Harvesting - this flexibility makes the NUROAir Integrated Sensor ideal for tailoring lighting to specific space needs, optimizing both ambiance and efficiency. The NUROAir App, available for download on iOS and Google Play Store, offers a user-friendly interface for customization of your space. Through the app, users can configure sensor settings such as the Light Output, CCT output, Hold Time, Standby Time/Level, High/Low End Trim, set schedules, and control lighting groups or zones, all from a mobile or tablet device.



POWERED BY ILLUMUS, BRANDS



Click Here or Scan Code to Learn More About

NUROAir Bluetooth Controls



### LUTRON

#### VDO

Vive DFCSJ-OEM-OCC integral fixture control sensor with daylight & occupancy. Vive provides intuitive programming allowing for maximum flexibility with wireless communication & sensing as desired. Provided with factory installed components only. Lutron system provided by others. Sensor must be used in conjunction with Pico Switch/Dimmer. Cannot be used in conjunction with mechanical on/off power switch. Contact factory for more information.



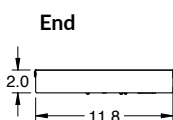
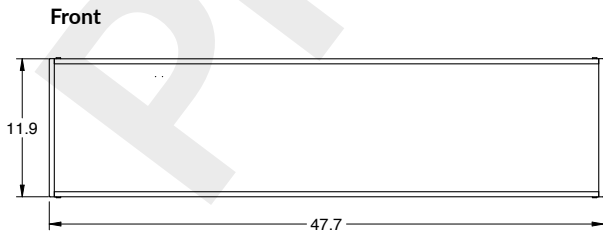
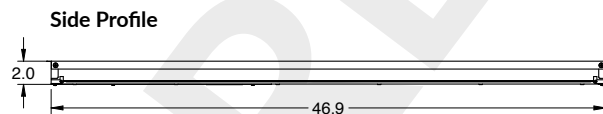
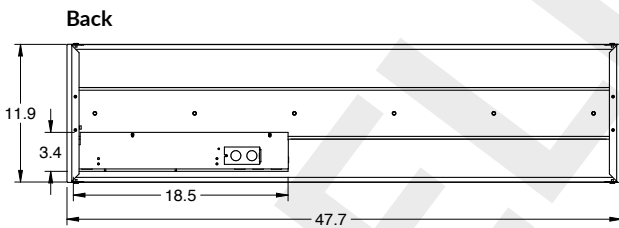
#### VRF

Vive DFCSJ-OEM-RF integral fixture control with Radio Frequency (RF) communication. Vive provides intuitive programming allowing for maximum flexibility with wireless communication as desired. Provided with factory installed components only. Lutron system provided by others. Sensor must be used in conjunction with Pico Switch/Dimmer. Cannot be used in conjunction with mechanical on/off power switch. Contact factory for more information.

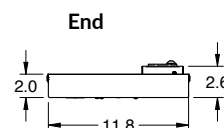
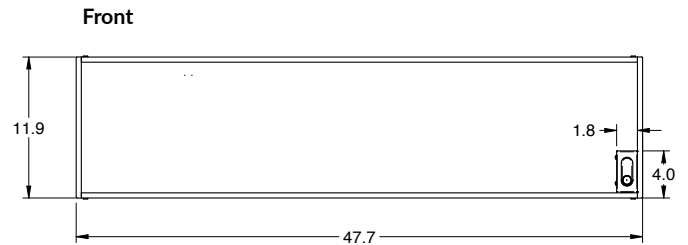
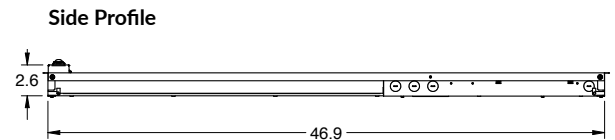
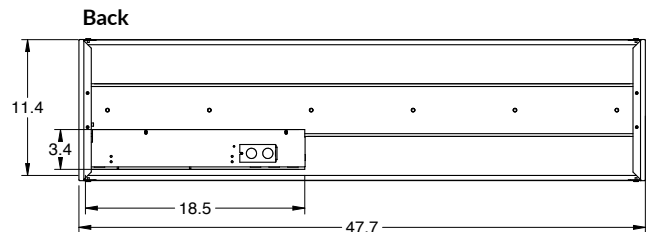


## LINE DRAWINGS

### VST14



### VST14 with Sensor Installed



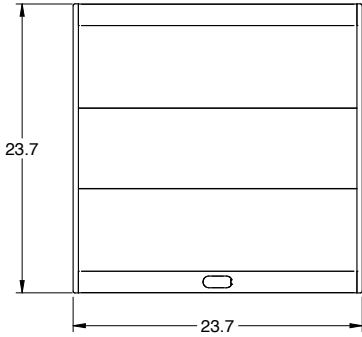


# VOLUMETRIC SELECTABLE TROFFER

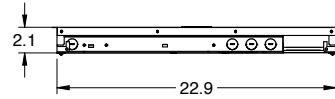
## LINE DRAWINGS (Continued)

### VST22

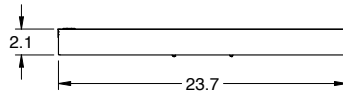
Front



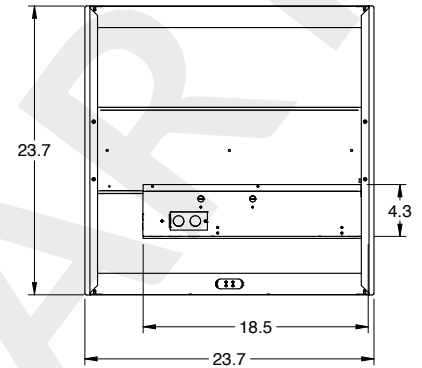
Side Profile



End

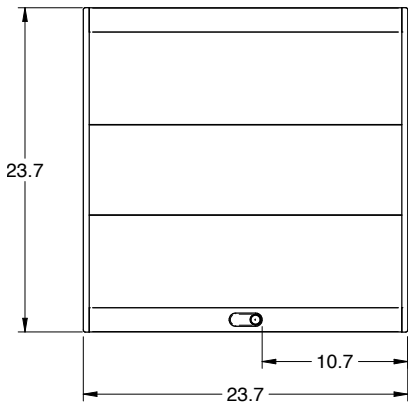


Back

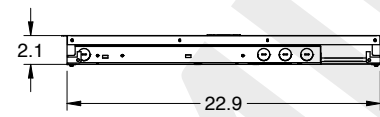


### VST22-CR

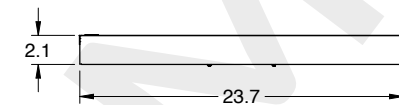
Front



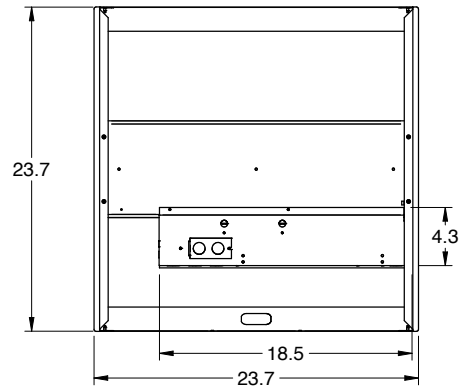
Side Profile



End

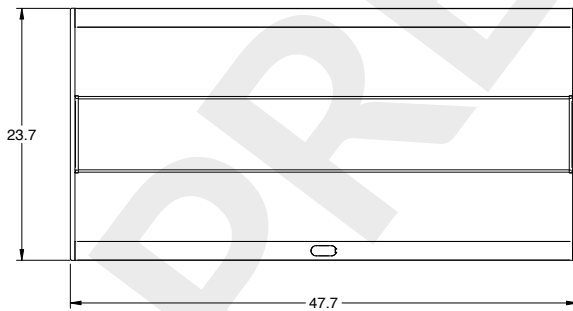


Back

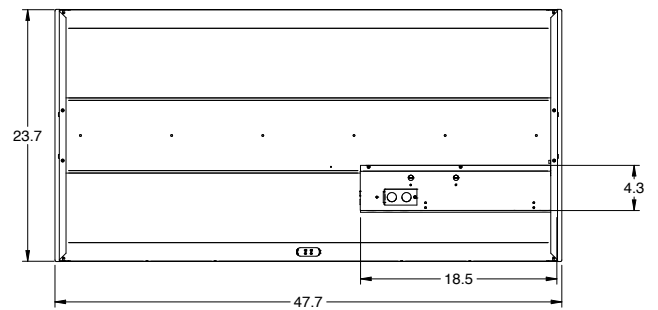


### VST24

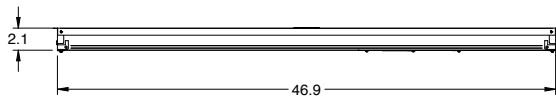
Front



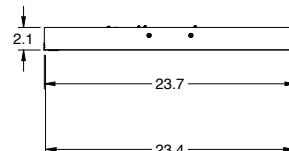
Back



Side Profile



End



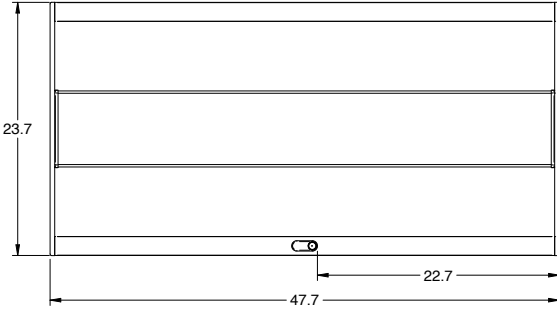


# VOLUMETRIC SELECTABLE TROFFER

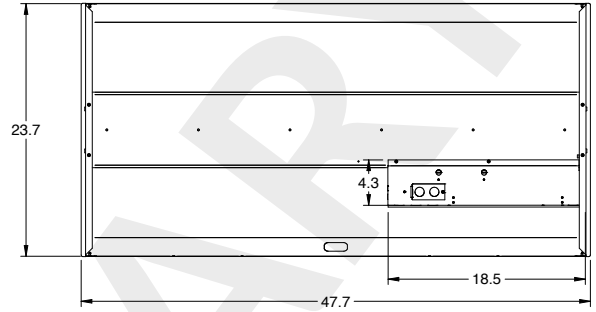
LINE DRAWINGS (Continued)

## VST24-CR

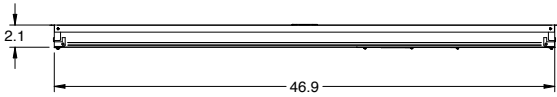
Front



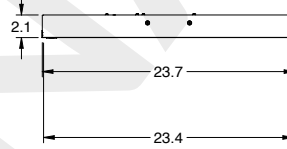
Back



Side Profile



End



PRELIMINARY