

# Luxterior

by TCP

## 120V-347V LED General Purpose Strip

### Product Specifications



TCP's LED General Purpose Strip Luminaires are designed to efficiently deliver robust performance while maximizing savings.

These integrated LED luminaires significantly reduce energy consumption compared to fluorescent systems, providing instant energy savings along with the ability to take advantage of potential utility rebates. A long 50,000 hour rated life significantly decreases maintenance labor and material costs over the life of the fixture.

TCP's General Purpose Strip incorporates a ribbed, frosted white diffuser lens to protect the LEDs and minimize glare, while delivering bright, uniform light.

### Reasons to choose the TCP LED General Purpose Strip

- Uses up to 58% less energy compared to traditional fluorescent systems
- Long 50,000 hour rated life
- Excellent color consistency and CRI
- 0-10V dimming driver comes standard
- Mercury free
- Easy to install - surface mount, suspended or pendant

### Ideal Applications

- General Lighting
- Task Lighting
- Aisles
- Warehouses
- Storage
- Retail
- Manufacturing Facilities

TCP®  
325 Campus Dr. | Aurora, Ohio 44202 | P: 800-324-1496 | tcp.com



5 YEAR WARRANTY

Not all versions of this product are qualified on the DLC QPL. To view our DLC qualified products, please consult the DLC Qualified Products List at [www.designlights.org/qpl](http://www.designlights.org/qpl).

## Specifications

|                                 |                             |
|---------------------------------|-----------------------------|
| Input Line Voltage .....        | 120-347V AC                 |
| Input Line Frequency (Hz) ..... | 50/60Hz                     |
| Lumens / Wattage (W)            |                             |
| A Package:                      |                             |
| 4 ft: .....                     | 4,200L (32W)                |
| 8 ft: .....                     | 8,500L (65W)                |
| Lumens per Watt (LPW).....      | >130 LPW                    |
| Color Temperature (CCT) .....   | 3500K, 4000K & 5000K        |
| Dimming .....                   | 0-10V (standard)            |
| Controls.....                   | Occupancy sensor (optional) |
| Rated Life.....                 | >50,000 hours               |
| Operating Temperature.....      | -20°C to 50°C               |
| CRI .....                       | 80+                         |
| Power Factor .....              | >0.9                        |
| THD.....                        | <20%                        |

## Warranty

Five year limited warranty against defects in manufacturing

## Replacement Comparison

| SYSTEM                                | BALLAST FACTOR | INPUT WATTS* | LED ENERGY SAVINGS |
|---------------------------------------|----------------|--------------|--------------------|
| <b>TCP LED Strip Luminaire – 4 FT</b> | —              | <b>32W</b>   | —                  |
| 2 Lamp 32W HBF                        | 1.18           | 65           | 51%                |
| 2 Lamp 32W NBF                        | 0.88           | 59           | 46%                |
| <b>TCP LED Strip Luminaire – 8 FT</b> | —              | <b>65W</b>   | —                  |
| 4 Lamp 32W T8 HBF                     | 1.18           | 153          | 58%                |
| 4 Lamp 32W T8 NBF                     | 0.88           | 112          | 42%                |

\*Actual wattage may differ by +/-10%.



## Applications

TCP's LED General Purpose Strip Luminaires deliver bright, uniform light and long life, with the benefits of energy savings and low maintenance. Applications include general lighting, task lighting, aisles, warehouses, storage, manufacturing facilities and retail spaces.

## Construction

- Visually appealing slim, low-profile design
- Heavy duty aluminum housing
- Durable UV stabilized powder coat finish
- Easy surface mount, suspended or pendant installation

## Electrical

- Universal 120-347V AC
- 0-10V dimming (standard)
- Long 50,000 hour rated life
- cULus damp location rated
- Optional occupancy sensors (sold separately)

## Optics

- Durable ribbed, frosted white diffuser lens
- Glare-free light distribution

|  |   |
|--|---|
| Item Number  |   |
| Notes  | Type  |
|            |   |
| <b>Listings</b><br>cULus Listed – damp location rated<br>RoHS Compliant<br>DLC v5.1 Standard | <b>Installation</b><br>Surface, suspended or pendant mounted<br><br>Before installation, please consult your local ordinances and building codes for compliance |
| <b>Warranty</b><br>Five year limited warranty against defects in manufacturing               |   |

## Catalog Ordering Matrix Example: TCPGPS4HZDA840K

| BRAND                          | SIZE       | VOLTAGE         | CONTROLS           | LUMEN PACKAGE (POWER) <sup>1,2</sup> | CCT                                       |
|--------------------------------|------------|-----------------|--------------------|--------------------------------------|---|
| TCPGPS – General Purpose Strip | 4 – 4 feet | H – 120V – 347V | ZD – 0-10V Dimming | A – 4200L (32W)                      | 35K – 3500K<br>40K – 4000K<br>50K – 5000K |
|                                | 8 – 8 feet | H – 120V – 347V | ZD – 0-10V Dimming | A – 8500L (65W)                      | 35K – 3500K<br>40K – 4000K<br>50K – 5000K |

**AVAILABLE CONTROLS** (ordered separately):

LS1 – Leviton Occupancy Sensor w/bracket and interchangeable lenses, 40' or less, 120V, 277V, or 347V.

## Lumen Maintenance Factor

|                 | 36,000 hours <sup>1</sup> | 50,000 hours <sup>2</sup> | 100,000 hours <sup>2</sup> | Reported L <sub>70</sub> (hours) <sup>1</sup> |
|-----------------|---------------------------|---------------------------|----------------------------|---|
| TCPGPS4HZDA8xxK | 90.61%                    | 86.90%                    | 74.82%                     | >36,000                                       |
| TCPGPS8HZDA8xxK | 90.61%                    | 86.90%                    | 74.82%                     | >36,000                                       |

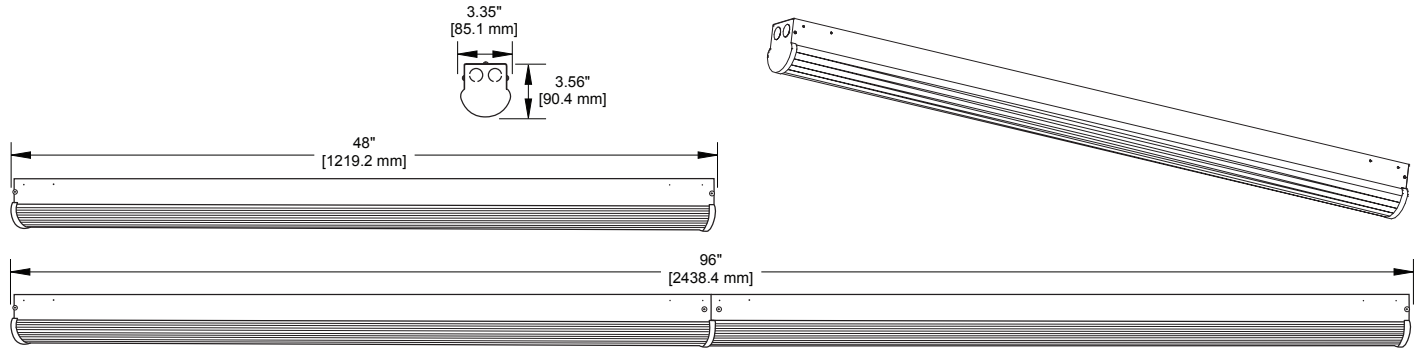
<sup>1</sup> IESNA TM-21-11 projected value based on 6X IESNA LM-80-08 total test duration of 6,000 hours.

<sup>2</sup> IESNA TM-21-11 calculated value exceeds 6X IESNA LM-80-08 total test duration of 6,000 hours.

<sup>1</sup> Actual wattage may vary by +/- 10%.

<sup>2</sup> Approximate lumen output. Actual performance may vary based on CCT, options selected and end user application.

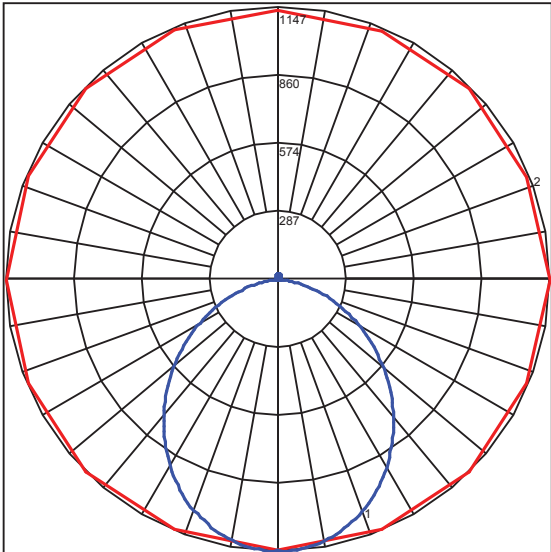
## Dimensions and Mounting Data



## Photometric Report

Based on photometric data for  
TCP Item # TCPGPS4HZDA850K

### Polar Graph



Maximum Candela = 1147.2 Located At Horizontal Angle = 0, Vertical Angle = 1  
# 1 - Vertical Plane Through Horizontal Angles (0 - 180) (Through Max. Cd.)  
# 2 - Horizontal Cone Through Vertical Angle (1) (Through Max. Cd.)

## Coefficients of Utilization – Zonal Cavity Method

Effective Floor Cavity Reflectance 0.20

| RC | 80  |     |     |     | 70  |     |     |     | 50  |     |     | 30 |    |    | 10 |    |    | 0  |
|----|-----|-----|-----|-----|-----|-----|-----|-----|-----|-----|-----|----|----|----|----|----|----|----|
| RW | 70  | 50  | 30  | 10  | 70  | 50  | 30  | 10  | 50  | 30  | 10  | 50 | 30 | 10 | 50 | 30 | 10 | 0  |
| 0  | 116 | 116 | 116 | 116 | 112 | 112 | 112 | 112 | 105 | 105 | 105 | 98 | 98 | 98 | 91 | 91 | 91 | 88 |
| 1  | 104 | 98  | 93  | 89  | 100 | 95  | 90  | 86  | 88  | 85  | 81  | 82 | 79 | 77 | 77 | 75 | 72 | 69 |
| 2  | 94  | 85  | 77  | 71  | 90  | 82  | 75  | 69  | 76  | 71  | 66  | 71 | 67 | 62 | 67 | 63 | 59 | 56 |
| 3  | 85  | 74  | 65  | 58  | 82  | 71  | 63  | 57  | 67  | 60  | 54  | 62 | 57 | 52 | 58 | 54 | 50 | 47 |
| 4  | 78  | 65  | 56  | 49  | 75  | 63  | 55  | 48  | 59  | 52  | 46  | 55 | 49 | 44 | 52 | 47 | 42 | 40 |
| 5  | 71  | 58  | 49  | 42  | 68  | 56  | 48  | 41  | 53  | 45  | 40  | 50 | 43 | 38 | 47 | 41 | 37 | 34 |
| 6  | 66  | 52  | 43  | 36  | 63  | 51  | 42  | 36  | 48  | 40  | 35  | 45 | 38 | 33 | 42 | 37 | 32 | 30 |
| 7  | 61  | 47  | 38  | 32  | 59  | 46  | 37  | 32  | 43  | 36  | 30  | 41 | 34 | 29 | 39 | 33 | 28 | 26 |
| 8  | 57  | 43  | 34  | 28  | 55  | 42  | 34  | 28  | 40  | 32  | 27  | 37 | 31 | 26 | 35 | 30 | 25 | 23 |
| 9  | 53  | 39  | 31  | 26  | 51  | 38  | 31  | 25  | 36  | 29  | 24  | 34 | 28 | 24 | 33 | 27 | 23 | 21 |
| 10 | 50  | 36  | 28  | 23  | 48  | 35  | 28  | 23  | 34  | 27  | 22  | 32 | 26 | 21 | 30 | 25 | 21 | 19 |

## Zonal Lumen Summary

| Zone    | Lumens  | %Lamp | %Fixt  |
|---------|---------|-------|--------|
| 0-20    | 415.69  | N.A.  | 10.20  |
| 0-30    | 878.65  | N.A.  | 21.50  |
| 0-40    | 1434.12 | N.A.  | 35.10  |
| 0-60    | 2550.13 | N.A.  | 62.40  |
| 0-80    | 3357.43 | N.A.  | 82.20  |
| 0-90    | 3610.82 | N.A.  | 88.40  |
| 10-90   | 3502.91 | N.A.  | 85.70  |
| 20-40   | 1018.43 | N.A.  | 24.90  |
| 20-50   | 1596.47 | N.A.  | 39.10  |
| 40-70   | 1571.34 | N.A.  | 38.50  |
| 60-80   | 807.30  | N.A.  | 19.80  |
| 70-80   | 351.97  | N.A.  | 8.60   |
| 80-90   | 253.40  | N.A.  | 6.20   |
| 90-110  | 299.66  | N.A.  | 7.30   |
| 90-120  | 374.85  | N.A.  | 9.20   |
| 90-130  | 416.03  | N.A.  | 10.20  |
| 90-150  | 457.55  | N.A.  | 11.20  |
| 90-180  | 474.61  | N.A.  | 11.60  |
| 110-180 | 174.95  | N.A.  | 4.30   |
| 0-180   | 4085.43 | N.A.  | 100.00 |

Total Luminaire Efficiency = N.A. %

Specifications and dimensions subject to change without notice.