



# Q Series High Bay

## Product Specifications



The Q Series High Bay family features a lightweight extruded aluminum body, 2FT and 4FT length options and up to 60,000 lumens resulting in a versatile solution for endless applications. The included mounting hardware makes the Q Series High Bay quick to install and will provide a long-lasting, durable light source for years to come.

### Reasons to choose the LED Q Series High Bay from TCP

- Lightweight, quick install construction
- Standard frosted lens for glare control
- No shadows for smooth, even lighting
- Damp location rated
- 250W or 400W HID equivalent
- 0-10V smooth dimming
- 50,000 hour rated life
- Wide 160° field angle beam spread reduces cave effect
- Optional controls available
- Includes 6-foot power cord

### Ideal Applications

- High ceiling locations
- Commercial settings
- Industrial settings
- Warehouses



\*Scan me with your phone to see the QHB in action!

TCP®  
325 Campus Dr. | Aurora, Ohio 44202 | P: 800-324-1496 | tcp.com



5 YEAR WARRANTY

Not all versions of this product are qualified on the DLC QPL. To view our DLC qualified products, please consult the DLC Qualified Products List at [www.designlights.org/qpl](http://www.designlights.org/qpl).



# Q Series High Bay - 2'

## Applications

The Q Series High Bay family is a versatile solution for endless applications. With a lightweight extruded aluminum body and included mounting hardware, the Q Series QHB by TCP is quick to install and will provide a long-lasting, durable light source for years to come.

## Features

- Lightweight, quick install construction
- Standard frosted lens for glare control
- No shadows for smooth, even lighting
- Damp location rated
- 0-10V smooth, no-flicker dimming
- Operating temperature: -4°F to 122°F
- 250W or 400W HID equivalent
- Long 50,000 hour rated life
- LED design provides wide beam spread and clean cutoff
- Optional battery backup and motion sensors available
- Includes 6-foot power cord

## Hardware Included

- 2 tong hangers
- 5' jack chains
- 6' pre-wired cord

Item Number	
Notes	Type



### Listings

cULus Listed  
RoHS Compliant  
DLC 5.1 Standard

### Warranty

Five year limited warranty against defects in manufacturing.

## Installation

Before hanging installation, please consult your local ordinances and building codes.

## Catalog Ordering Matrix Example: QHB2UZDA250K

FAMILY	LENGTH	VOLTAGE <sup>3</sup>	CONTROLS	LUMEN PACKAGE (Power) <sup>1,2</sup>	CCT <sup>5</sup>	FACTORY INSTALLED OPTIONS <sup>4</sup>	FACTORY INSTALLED CONTROLS
<b>QHB</b> - Q Series High Bay	<b>2</b> - 2 foot	<b>U</b> - 120-277V <b>H</b> - 347-480V <b>C</b> - 120-347V	<b>ZD</b> - 0-10V Dimming	<b>A1</b> - 10,800L (80W) <b>A2</b> - 14,850L (110W) <b>E4</b> - 17,550L (130W) <b>A3</b> - 22,275L (165W) <b>A4</b> - 30,500L (220W) <b>A5</b> - 36,500L (270W) <sup>6</sup>	<b>40K</b> - 4000K <b>50K</b> - 5000K	<b>Blank</b> - No Add-on <b>B</b> - Battery Backup	<b>Blank</b> - No controls <b>MS1</b> - Microwave Motion Sensor 120-277V <b>LS1</b> - PIR Motion Sensor 120V, 277V or 347V <b>LS1D</b> - PIR Motion/Daylight Sensor 120V, 277V or 347V <b>LS4</b> - PIR Motion Sensor 240V or 480V

<sup>1</sup> Approximate lumen output. Actual performance may vary based on CCT, options selected and end use application

<sup>2</sup> Actual wattage may differ by +/- 10%

<sup>3</sup> C - 120-347V is for Canada only

<sup>4</sup> Battery backup outputs 3,000L when in use

<sup>5</sup> Other CCT available special order. Longer lead times will apply

<sup>6</sup> A5 lumen package coming soon

## Field Installed Accessories

- QHB2WGUARD1 - Wire Guard for 110W Model
- QHB2WGUARD2 - Wire Guard for 130W-220W Models
- QHB2SMOUNT1 - 110W Surface Mount Kit
- QHB2SMOUNT2 - 130W-220W Surface Mount Kit



**QHB2SMOUNT1/QHB2SMOUNT2 Surface Mount Kit (Shown on QHB2UZDA250K)**

TCP®

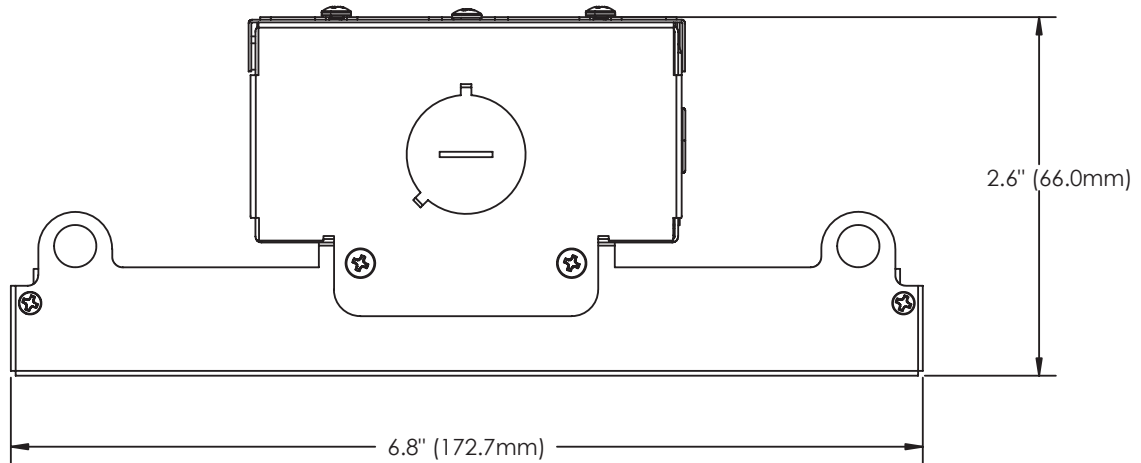
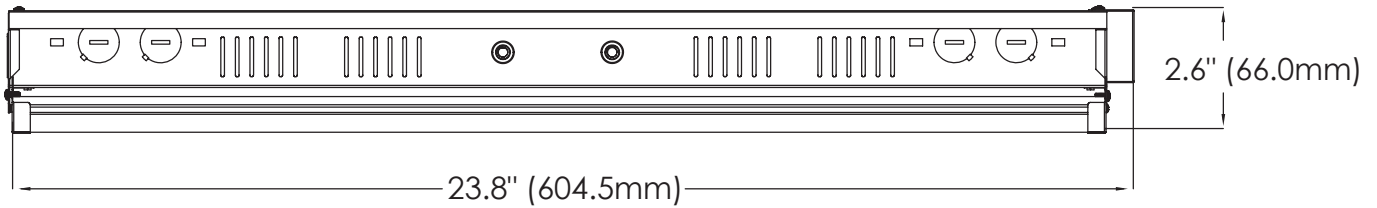
325 Campus Dr. | Aurora, Ohio 44202 | P: 800-324-1496 | tcp.com



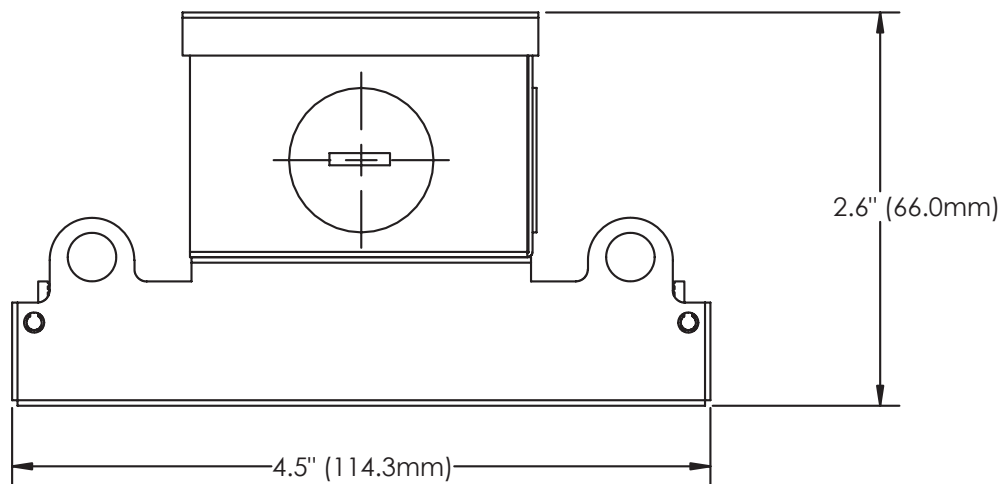
5 YEAR WARRANTY

Not all versions of this product are qualified on the DLC QPL. To view our DLC qualified products, please consult the DLC Qualified Products List at [www.designlights.org/apl](http://www.designlights.org/apl).

## Wireline Dimensions



**QHB2UZDE450K (WEIGHT: 5.84lbs), QHB2UZDA350K (WEIGHT: 6.94lbs) & QHB2UZDA450K (WEIGHT: 7.61lbs)**



**QHB2UZDA250K (WEIGHT: 4.85lbs)**

## Photometric Report

### Spacing Criterion

#### QHB2UZDE4xxK

Spacing Criterion (0-180)	1.22
Spacing Criterion (90-270)	1.22

#### QHB2UZDA4xxK

Spacing Criterion (0-180)	1.22
Spacing Criterion (90-270)	1.20

#### QHB2UZDA3xxK

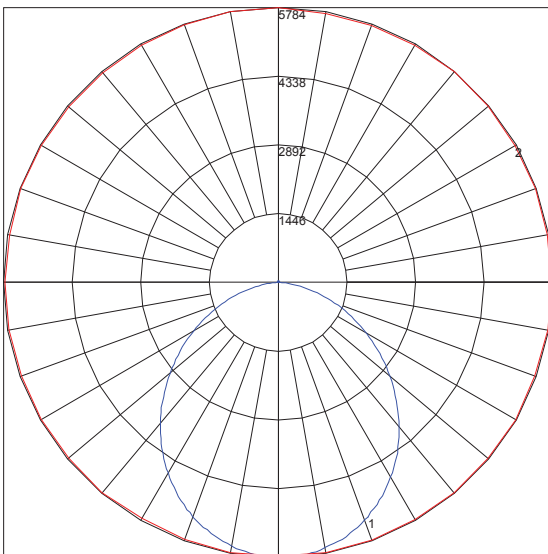
Spacing Criterion (0-180)	1.24
Spacing Criterion (90-270)	1.22

#### QHB2UZDA2xxK

Spacing Criterion (0-180)	1.22
Spacing Criterion (90-270)	1.24

Based on photometric data for  
TCP Item # QHB2UZDA250K

### Polar Graph



Maximum Candela = 5784.2 Located At Horizontal Angle = 90, Vertical Angle = 2  
# 1 - Vertical Plane Through Horizontal Angles (90 - 270) (Through Max. Cd.)  
# 2 - Horizontal Cone Through Vertical Angle (2) (Through Max. Cd.)

Specifications and dimensions subject to change without notice.

### Coefficients of Utilization – Zonal Cavity Method

#### Effective Floor Cavity Reflectance 0.20

RC	80				70				50				30				10				0
RW	70	50	30	10	70	50	30	10	50	30	10	50	30	10	50	30	10	50	30	10	0
0	118	118	118	118	115	115	115	115	110	110	110	105	105	105	100	100	100	100	100	100	98
1	108	104	100	96	106	101	98	94	97	94	91	92	90	87	88	86	84	82	82	82	82
2	99	91	84	79	96	89	83	78	85	80	75	81	77	73	78	74	71	69	69	69	69
3	90	80	72	66	88	78	71	65	75	69	64	72	67	62	69	65	61	59	59	59	59
4	83	71	63	56	80	70	62	55	67	60	54	64	58	53	62	57	52	50	50	50	50
5	76	64	55	48	74	62	54	48	60	53	47	58	52	47	56	50	46	44	44	44	44
6	71	57	49	42	69	56	48	42	54	47	42	52	46	41	51	45	40	38	38	38	38
7	65	52	44	38	64	51	43	37	50	42	37	48	41	36	46	40	36	34	34	34	34
8	61	48	39	34	59	47	39	33	45	38	33	44	37	33	43	37	32	30	30	30	30
9	57	44	36	30	56	43	35	30	42	35	30	41	34	30	39	34	29	27	27	27	27
10	54	40	33	28	52	40	32	27	39	32	27	38	31	27	37	31	27	25	25	25	25

### Zonal Lumen Summary

Zone	Lumens	%Lamp	%Fixt
0-20	2091.37	N.A.	13.70
0-30	4392.26	N.A.	28.70
0-40	7081.78	N.A.	46.30
0-60	12047.92	N.A.	78.70
0-80	14652.39	N.A.	95.80
0-90	14922.37	N.A.	97.50
10-90	14377.93	N.A.	94.00
20-40	4990.42	N.A.	32.60
20-50	7660.38	N.A.	50.10
40-70	6640.53	N.A.	43.40
60-80	2604.47	N.A.	17.00
70-80	930.07	N.A.	6.10
80-90	269.98	N.A.	1.80
90-110	159.35	N.A.	1.00
90-120	224.87	N.A.	1.50
90-130	278.54	N.A.	1.80
90-150	349.58	N.A.	2.30
90-180	380.35	N.A.	2.50
110-180	221.00	N.A.	1.40
0-180	15302.72	N.A.	100.00

Total Luminaire Efficiency = N.A.%

### Average Luminance candelas/square meter (cd/sq.m)

Angle In Degrees	Average 0-Deg	Average 45-Deg	Average 90-Deg
45	74205	66677	65051
55	67501	58054	55694
65	60232	47918	44695
75	52168	35229	30270
85	41658	16454	9197



# Q Series High Bay - 4'

## Applications

The Q Series High Bay family is a versatile solution for endless applications. With a lightweight extruded aluminum body and included mounting hardware, the Q Series QHB by TCP is quick to install and will provide a long-lasting durable light source for years to come.

## Features

- Lightweight, quick install construction
- Standard frosted lens for glare control
- No shadows for smooth, even lighting
- Damp location rated
- 0-10V smooth, no-flicker dimming
- Operating temperature: -4°F to 122°F
- 250W or 400W HID equivalent
- Long 50,000 hour rated life
- LED design provides wide beam spread and clean cutoff
- Optional battery backup and motion sensors available
- Includes 6-foot power cord

## Hardware Included

- 2 tong hangers
- 5' jack chains
- 6' pre-wired cord

Item Number	
Notes	Type



### Listings

cULus Listed  
RoHS Compliant  
DLC 5.1 Standard

### Warranty

Five year limited warranty against defects in manufacturing.

## Installation

Before hanging installation, please consult your local ordinances and building codes.

## Catalog Ordering Matrix Example: QHB4UZDA450K

FAMILY	LENGTH	VOLTAGE <sup>3</sup>	CONTROLS	LUMEN PACKAGE (Power) <sup>1,2</sup>	CCT <sup>5</sup>	FACTORY INSTALLED OPTIONS <sup>4</sup>	FACTORY INSTALLED CONTROLS <sup>6</sup>
<b>QHB - Q</b> Series High Bay	<b>4</b> - 4 foot	<b>U</b> - 120-277V <b>H</b> - 347-480V <b>C</b> - 120-347V	<b>ZD</b> - 0-10V Dimming	<b>A1</b> - 10,800L (80W) <sup>7,8</sup> <b>B2</b> - 14,850L (110W) <sup>8</sup> <b>A4</b> - 30,500L (220W) <b>A5</b> - 36,500L (270W) <b>A6</b> - 44,550L (330W) <b>A8</b> - 60,000L (440W) <sup>7</sup>	<b>40K</b> - 4000K <b>50K</b> - 5000K	<b>Blank</b> - No Add-on <b>B</b> - Battery Backup	<b>Blank</b> - No controls <b>MS1</b> - Microwave Motion Sensor 120-277V <b>LS1</b> - PIR Motion Sensor 120V, 277V or 347V <b>LS1D</b> - PIR Motion/Daylight Sensor 120V, 277V or 347V <b>LS4</b> - PIR Motion Sensor 240V or 480V

<sup>1</sup> Approximate lumen output. Actual performance may vary based on CCT, options selected and end use application  
<sup>2</sup> Actual wattage may differ by +/- 10%  
<sup>3</sup> C - 120-347V is for Canada only  
<sup>4</sup> Battery backup outputs 3,000L when in use  
<sup>5</sup> Other CCT available special order. Longer lead times will apply  
<sup>6</sup> QHB4 B2 lumen package is not compatible with any of the listed controls. Control solution coming soon  
<sup>7</sup> A8 lumen package coming soon  
<sup>8</sup> Battery back up not available on 80W and 110W

## Field Installed Accessories

- QHB4WGUARD1 - Wire Guard for 220W Model
- QHB4WGUARD2 - Wire Guard for 330W-440W Models
- QHB4SMOUNT1 - 220W Surface Mount Kit
- QHB4SMOUNT2 - 330W-440W Surface Mount Kit



**QHB4SMOUNT1/QHB4SMOUNT2 Surface Mount Kit**  
(Shown on QHB4UZDA450K)

TCP®

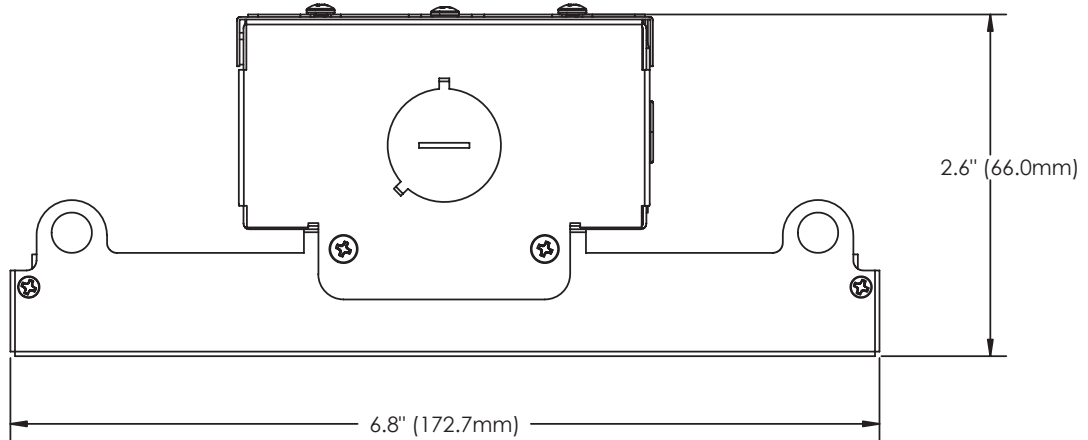
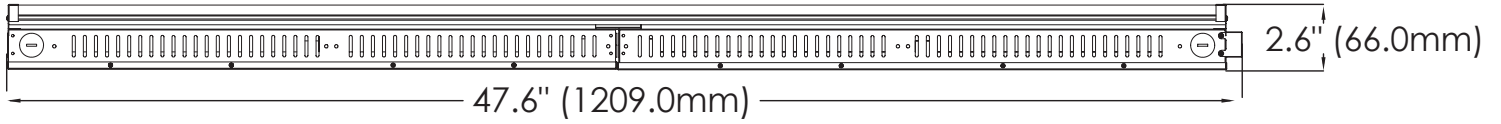
325 Campus Dr. | Aurora, Ohio 44202 | P: 800-324-1496 | tcp.com



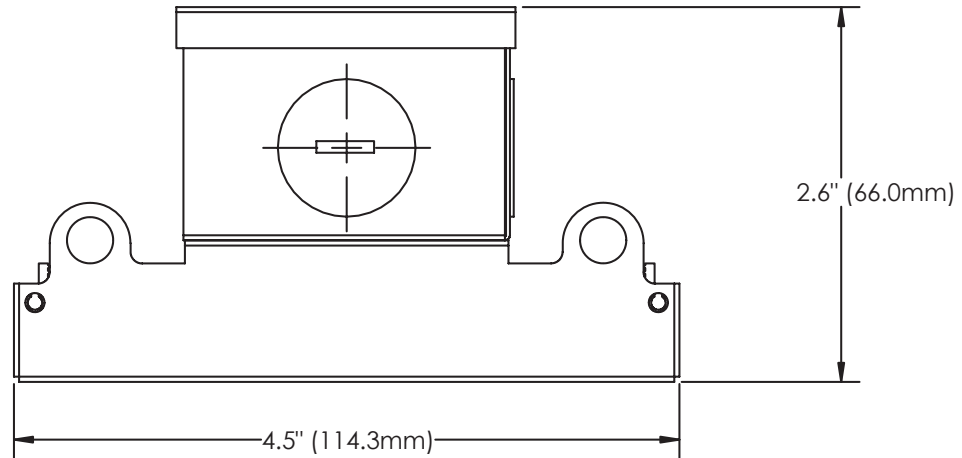
5 YEAR WARRANTY

Not all versions of this product are qualified on the DLC QPL. To view our DLC qualified products, please consult the DLC Qualified Products List at [www.designlights.org/apl](http://www.designlights.org/apl).

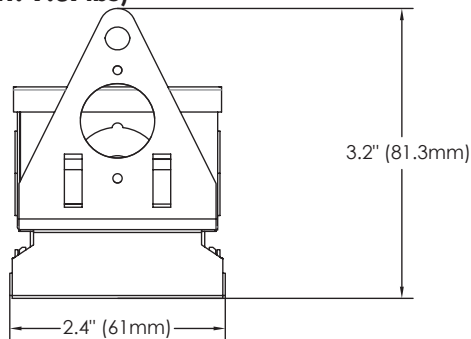
## Wireline Dimensions



**QHB4UZDA650K (WEIGHT: 12.35lbs) & QHB4UZDA850K (WEIGHT: 14.33lbs)**



**QHB4UZDA450K (WEIGHT: 9.37lbs)**



**QHB4UZDB250K (WEIGHT: 5.5lbs)**



## Photometric Report

### Spacing Criterion

#### QHB4UZDA8XXK

Spacing Criterion (0-180)	1.18
Spacing Criterion (90-270)	1.28

#### QHB4UZDA6XXK

Spacing Criterion (0-180)	1.20
Spacing Criterion (90-270)	1.26

#### QHB4UZDA4XXK

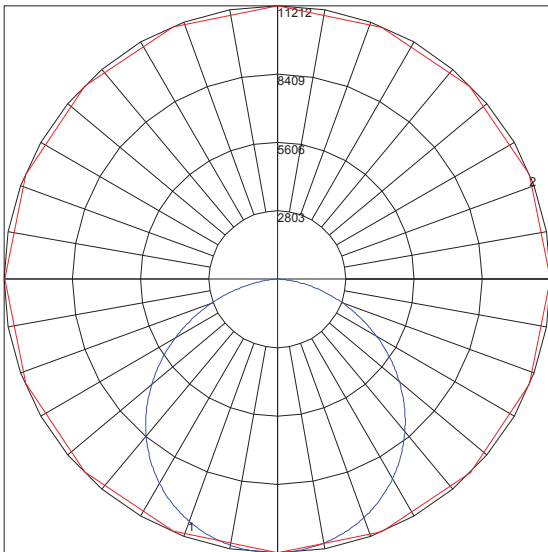
Spacing Criterion (0-180)	1.24
Spacing Criterion (90-270)	1.26

#### QHB4UZDA2XXK

Spacing Criterion (0-180)	1.14
Spacing Criterion (90-270)	1.26

Based on photometric data for  
TCP Item # QHB4UZDA450K

### Polar Graph



Maximum Candela = 11211.84 Located At Horizontal Angle = 270, Vertical Angle = 1.5  
# 1 - Vertical Plane Through Horizontal Angles (270 - 90) (Through Max. Cd.)  
# 2 - Horizontal Cone Through Vertical Angle (1.5) (Through Max. Cd.)

Specifications and dimensions subject to change without notice.

### Coefficients of Utilization – Zonal Cavity Method

#### Effective Floor Cavity Reflectance 0.20

RC	80				70				50				30				10				0
RW	70	50	30	10	70	50	30	10	50	30	10	50	30	10	50	30	10	50	30	10	0
0	119	119	119	119	116	116	116	116	111	111	111	106	106	106	101	101	101	101	101	99	0
1	109	104	100	96	106	102	98	94	97	94	91	93	91	88	89	87	86	89	87	86	83
2	99	91	84	79	96	89	83	78	85	80	76	82	78	74	79	75	72	79	75	72	70
3	90	80	72	66	88	78	71	65	75	69	64	72	67	62	70	65	61	67	65	61	59
4	83	71	62	56	80	70	61	55	67	60	54	65	58	54	62	57	53	62	57	53	51
5	76	63	55	48	74	62	54	48	60	53	47	58	52	47	56	50	46	56	50	46	44
6	70	57	48	42	68	56	48	42	54	47	41	53	46	41	51	45	40	51	45	40	38
7	65	52	43	37	64	51	43	37	49	42	37	48	41	36	46	41	36	46	41	36	34
8	61	47	39	33	59	47	39	33	45	38	33	44	37	33	43	37	32	43	37	32	30
9	57	44	35	30	55	43	35	30	42	35	30	41	34	29	39	34	29	39	34	29	27
10	53	40	32	27	52	40	32	27	39	32	27	38	31	27	37	31	27	37	31	27	25

### Zonal Lumen Summary

Zone	Lumens	%Lamp	%Fixt
0-20	4085.91	N.A.	13.40
0-30	8642.5	N.A.	28.30
0-40	14055.31	N.A.	46.00
0-60	24310.29	N.A.	79.50
0-80	29758.37	N.A.	97.30
0-90	30283.78	N.A.	99.10
10-90	29924.94	N.A.	95.60
20-40	9969.4	N.A.	32.60
20-50	15444.02	N.A.	50.50
40-70	13766.65	N.A.	45.00
60-80	5448.08	N.A.	17.80
70-80	1936.42	N.A.	6.30
80-90	525.41	N.A.	1.70
90-110	113.04	N.A.	0.40
90-120	162.41	N.A.	0.50
90-130	204.40	N.A.	0.70
90-150	262.56	N.A.	0.90
90-180	288.95	N.A.	0.90
110-180	175.90	N.A.	0.60
0-180	30582.73	N.A.	100.00

Total Luminaire Efficiency = N.A. %

### Average Luminance candelas/square meter (cd/sq.m)

Angle In Degrees	Average 0-Deg	Average 45-Deg	Average 90-Deg
45	65018	60624	61094
55	59688	53883	54434
65	53476	45458	45280
75	45231	33546	32163
85	33780	15034	10786

# TECHNOLOGY CAST IN A BEAUTIFUL LIGHT

For over 20 years, TCP has been designing, developing and delivering energy-efficient lighting into the market. Thanks to our cutting-edge technology and manufacturing expertise, we have shipped billions of high quality lighting products. With TCP, you can count on a lighting product that is designed to meet the needs of the market - that transforms your surroundings and envelopes you in warmth - lighting that generates beauty with every flip of the switch.

Sales:

Date:

Model:

Project:

Rep:

Catalog Number:

Type:

Notes:



For more information on the quality and care TCP can deliver, call us at **800.324.1496** or visit [tcp.com](http://tcp.com)

325 Campus Dr. | Aurora, Ohio 44202 | P: 800.324.1496 | F: 877.487.0516