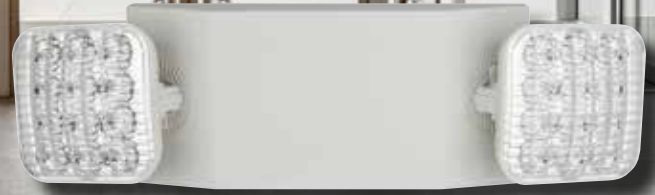




# LED Low Profile Emergency Light

## Product Specifications



Increase building safety and improve wayfinding with TCP's LED Low Profile Emergency Light. The long life, ultra-bright lamp heads and rechargeable NiCd battery make this light the perfect low-maintenance solution for indoor and covered outdoor spaces. And, in the event of a power outage, the internal transfer switch automatically connects the battery to the lamp heads for a minimum 90-minute emergency illumination.

## Reasons to choose the LED Low Profile Emergency Light from TCP

- Ultra-bright white LED lamp heads
- Adjustable heads for optimal center-to-center spacing
- High performance, chrome-plated reflector
- LEDWELRCSDT: Self-diagnostic feature performs monthly, biannual, and annual tests to ensure reliable operation and meet electrical and life safety codes
- Suitable for wall or ceiling mount
- Long life, rechargeable NiCd battery
- Damp location rated

## Ideal Applications

- Retail
- Commercial
- Industrial
- Schools
- Hospitals
- Parking Lots

## Specifications

Input Frequency.....	120/277V
Wattage .....	1.0W (8 LEDs x 0.125W) per head
Min Start Temp .....	32°F (0°C)
Max Oper Temp .....	122°F (50°C)
Battery .....	3.6V
Listings.....	UL Damp Location, UL924, NFPA 101 Life Safety Code, NEC, OSHA, Local and State codes
Warranty.....	5-year on electronics and housing, battery prorated for 5 years



## Electrical

- Charge rate/power "ON" LED indicator light and push-to-test switch for mandated code compliance testing
- 3.6V long life, maintenance-free, rechargeable NiCd battery
- Internal solid-state transfer switch automatically connects the internal battery to LED lamp heads for minimum 90-minute emergency illumination
- Fully automatic solid-state, two-rate charger initiates battery charging to recharge a discharged battery in 24 hours

## Construction

- White injection-molded thermoplastic
- V-0 flame retardant
- High-impact resistant

## Optics

- Long life, efficient, ultra-bright white LED lamp heads
- 1.0W (8 LED x 0.125W) per head
- High performance, chrome-plated metallized reflector and plastic lens for optimal light distribution
- Two adjustable LED lamp heads provide optimal center-to-center spacing

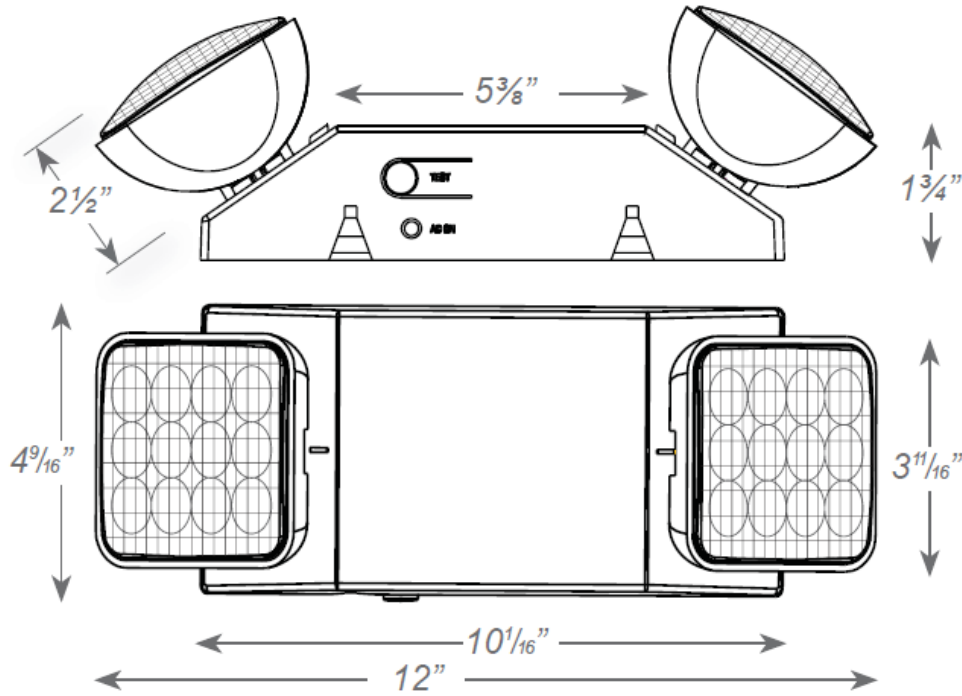
## Installation

- Universal knockout pattern on backplate for surface mount; conduit knockout on top housing
- Suitable for wall or ceiling mount

## LED Low Profile Emergency Light

Item #	Description	LED Color	Housing Color	TCP Traditional Equivalents
LEDWEL	LED Emergency Light	White	White	20760, 20761
LEDWELRC	LED Emergency Light, Remote Capable	White	White	20765
LEDWELSDT	LED Emergency Light, Self Diagnostic Test	White	White	20766SD
LEDWELRCSDT	LED Emergency Light, Remote Capable, Self Diagnostic Test	White	White	27065, 20766SD

## Dimensions



## Center-to-Center Spacing Guidelines (for reference only)

UNIT LOCATION  
LIGHT SOURCE

1	0.2	0.3	0.5	0.4	0.4	0.5	0.6	0.8	1.0	0.8	0.9	0.8	0.4	0.2	0.2
2	0.3	0.5	0.7	0.8	0.9	0.8	0.9	1.0	1.1	1.4	1.1	0.8	0.5	0.3	0.2
3	0.4	0.7	1.0	1.0	1.1	1.1	1.1	1.3	1.4	1.1	0.9	0.9	0.7	0.5	0.2
4	0.5	0.7	0.9	1.1	1.2	1.2	1.0	1.1	1.1	1.0	1.1	0.8	0.6	0.3	0.2
5	0.5	0.7	0.8	0.8	1.0	1.1	0.8	0.8	1.0	0.9	0.6	0.5	0.4	0.3	0.2
6	0.4	0.5	0.7	0.7	0.8	0.8	0.6	0.5	0.6	0.5	0.4	0.4	0.4	0.2	0.2
	7	6	5	4	3	2	1	0	1	2	3	4	5	6	7

NFPA 101 Requirements for: 10' center-to-center spacing - 3' path of egress 1' from wall -  $7\frac{1}{2}$ ' mounting height.

Specifications and dimensions subject to change without notice.

# TECHNOLOGY CAST IN A BEAUTIFUL LIGHT

For over 20 years, TCP has been designing, developing and delivering energy-efficient lighting into the market. Thanks to our cutting-edge technology and manufacturing expertise, we have shipped billions of high quality lighting products. With TCP, you can count on a lighting product that is designed to meet the needs of the market - that transforms your surroundings and envelopes you in warmth - lighting that generates beauty with every flip of the switch.

Sales:

Date:

Model:

Project:

Rep:

Catalog Number:

Type:

Notes:



For more information on the quality and care TCP can deliver, call us at **800.324.1496** or visit [tcp.com](http://tcp.com)

325 Campus Dr. | Aurora, Ohio 44202 | P: 800.324.1496 | F: 877.487.0516