



# LED Linear High Bay

## Product Specifications



The HB by TCP LED Linear High Bay family is a versatile solution for endless applications. With an all-metal frame and included mounting hardware, the HB by TCP is quick to install and will provide a long-lasting, durable light source for years to come.

## Reasons to choose the LED Linear High Bay from TCP

- Steel frame with no scalloping, pop riveted, and rounded-edge corners
- Frosted lens standard to eliminate glare
- Smooth, even lighting without shadows
- Damp location rated
- 0-10V smooth dimming
- 250W or 400W HID equivalent
- 50,000 hour rated life
- Wide beam spread due to angled LED design providing clean cutoff
- Optional Title 20 Certified battery backup or motion sensors available
- Includes 6 foot power cord

## Ideal Applications

- High ceiling locations
- Commercial settings
- Industrial settings
- Retail settings
- Warehouses

## Applications

The HB by TCP LED High Bay family is a versatile solution for endless applications. With an all-metal frame and included mounting hardware, the HB by TCP is quick to install and will provide a long-lasting, durable light source for years to come. Best for use in high ceiling locations in commercial, industrial, retail, or warehouse settings.

## Features

- Post painted steel frame with no scalloping, pop riveted, and rounded-edge corners
- Frosted lens standard to eliminate glare
- No shadows for smooth, even lighting
- Damp location rated
- 0-10V smooth, no-flicker dimming
- Operating temperature: -4°F to 122°F
- 250W or 400W HID equivalent
- Long 50,000 hour rated life
- Wide beam spread due to angled LED design providing clean cutoff
- Optional Title 20 Certified battery backup or motion sensors available
- Includes 6-Foot power cord

## Hardware Included

- 2 Tong Hangers
- 5' Jack Chains
- Hub Mount Kit for 3/4" Conduit/Stem Mount
- 6-Foot Pre-wired Cord

## Installation

Surface, suspended or pendant mounted. Before installation, please consult your local ordinances and building codes.



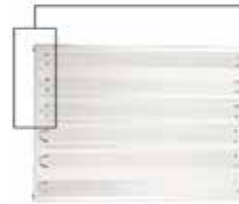
### Listings

cULus Listed  
RoHS Compliant  
DLC 5.1 Premium

### Warranty

Five year limited warranty against defects in manufacturing.

Larger beam spread due to angled LED design providing clean cutoff.



## Catalog Ordering Matrix Example: HB21000150

FAMILY <sup>1</sup>	WATTS <sup>2,3</sup>	VOLTAGE	COLOR TEMPERATURE	OPTIONS	CONTROL OPTIONS
HB - LED Linear High Bay	105 - 14,175 Lumens 150 - 20,250 Lumens 210 - 30,500 Lumens	001 - 120-277V	40 - 4000K 50 - 5000K	Blank - No add-on B - Battery Back-up <sup>4</sup>	Blank - No controls MS1 - Microwave Occupancy/Daylight Sensor, 120-277V LS1 - Leviton Occupancy Sensor, 40' or less, 120V, 277V or 347V LS1D - Leviton Occupancy Sensor w/ Daylight Harvesting, 40' or less, 120V, 277V or 347V LS4 - Leviton Occupancy Sensor, 40' or less, 208V, 240V or 480V

<sup>1</sup> HB series products are special order only. Longer lead times may apply.

<sup>2</sup> Actual wattage may differ by +/- 10%.

<sup>3</sup> Approximate lumen output. Actual performance may vary based on CCT, options selected and end user application.

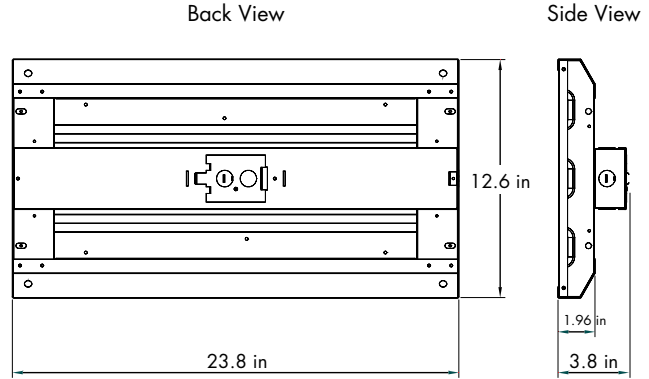
<sup>4</sup> Battery backup is Title 20 Compliant.

### Field Installed Accessories:

Item Number	Description
HB1WG	Wire Guard for HB10500150 & HB15000150
HB2WG	Wire Guard for HB21000150
OT00040	Replacement Lens Panels for HB10500150 & HB15000150
OT00040A	Replacement Lens Panels for HB21000150

## Dimensions

**HB105 and HB150**  
(23.8 x 12.6 inches)



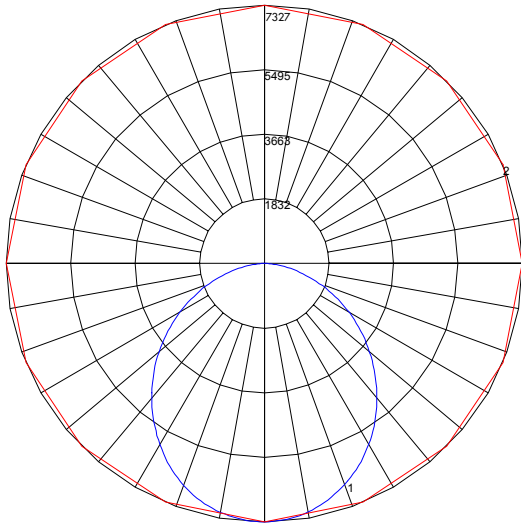
## Spacing Criterion

(0-180): 1.22, (90-270): 1.22

## Photometric Report

Based on photometric data for  
TCP Item # HB15000150

### Polar Graph



Maximum Candela = 7326.6 Located At Horizontal Angle = 0, Vertical Angle = 0  
# 1 - Vertical Plane Through Horizontal Angles (0 - 180) (Through Max. Cd.)  
# 2 - Horizontal Cone Through Vertical Angle (0) (Through Max. Cd.)

### Average Luminance candelas/square meter (cd/sq.m)

Angle In Degrees	Average 0-Deg	Average 45-Deg	Average 90-Deg
45	33759	33815	33891
55	31348	31304	31454
65	28193	28064	28255
75	23652	23334	23490
85	16244	15281	15047

## Coefficients of Utilization – Zonal Cavity Method

### Effective Floor Cavity Reflectance 0.20

RC	80				70				50			30			10			0	
	RW	70	50	30	10	70	50	30	10	50	30	10	50	30	10	50	30	10	0
0	119	119	119	119	116	116	116	116	111	111	111	106	106	106	102	102	102	100	100
1	109	104	100	97	106	102	98	95	98	95	92	94	91	89	90	88	86	84	84
2	99	91	85	79	97	89	83	78	86	81	76	83	78	75	80	76	73	71	71
3	91	80	72	66	88	79	71	65	76	70	64	73	68	63	71	66	62	60	60
4	83	71	63	56	81	70	62	56	68	61	55	65	59	54	63	58	54	51	51
5	77	64	55	49	75	63	55	48	61	53	48	59	52	47	57	51	47	45	45
6	71	58	49	43	69	57	48	42	55	48	42	53	47	42	52	46	41	39	39
7	66	52	44	38	64	52	43	38	50	43	37	49	42	37	47	41	37	35	35
8	61	48	39	34	60	47	39	34	46	39	33	45	38	33	43	37	33	31	31
9	57	44	36	30	56	43	36	30	42	35	30	41	35	30	40	34	30	28	28
10	54	41	33	28	52	40	33	28	39	32	27	38	27	27	38	31	27	25	25

### Zonal Lumen Summary

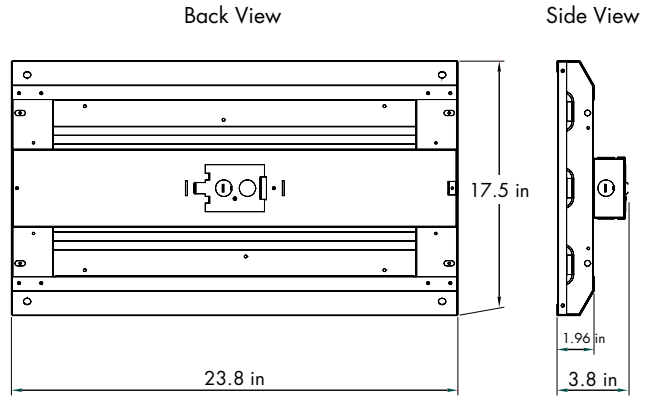
Zone	Lumens	%Lamp	%Fixt
0-20	2651.5	N.A.	13.90
0-30	5566.91	N.A.	29.20
0-40	8987.26	N.A.	47.10
0-60	15407.32	N.A.	80.70
0-80	18796.5	N.A.	98.40
0-90	19093.68	N.A.	100.00
10-90	18402.88	N.A.	96.40
20-40	6335.76	N.A.	33.20
20-50	9766.58	N.A.	51.20
40-70	8610.04	N.A.	45.10
60-80	3389.18	N.A.	17.80
70-80	1199.19	N.A.	6.30
80-90	297.18	N.A.	1.60
90-110	0.00	N.A.	0.00
90-120	0.00	N.A.	0.00
90-130	0.00	N.A.	0.00
90-150	0.00	N.A.	0.00
90-180	0.00	N.A.	0.00
110-180	0.00	N.A.	0.00
0-180	19093.68	N.A.	100.00

Total Luminaire Efficiency = N.A.%

Specifications and dimensions subject to change without notice.

## Dimensions

**HB210**  
(23.8 x 17.5 inches)



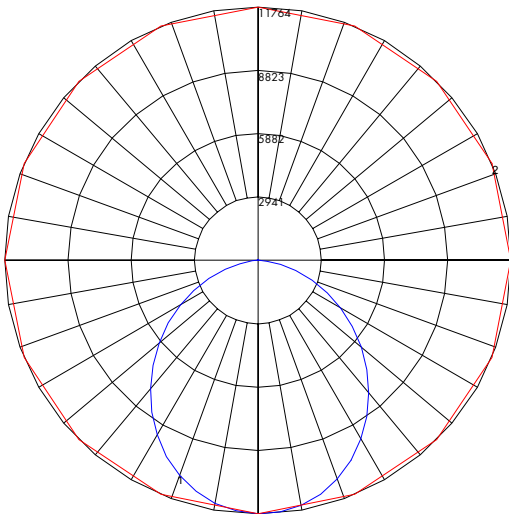
## Spacing Criterion

(0-180): 1.22, (90-270): 1.22

## Photometric Report

Based on photometric data for  
TCP Item # HB21000150

### Polar Graph



Maximum Candela = 111764 Located At Horizontal Angle = 157.5, Vertical Angle = 1  
# 1 - Vertical Plane Through Horizontal Angles (157.5 - 337.5) (Through Max. Cd.)  
# 2 - Horizontal Cone Through Vertical Angle (1) (Through Max. Cd.)

### Average Luminance candelas/square meter (cd/sq.m)

Angle In Degrees	Average 0-Deg	Average 45-Deg	Average 90-Deg
45	43541	43954	45657
55	36384	37031	39357
65	28107	28797	31327
75	20686	21607	24122
85	13778	16072	19648

## Coefficients of Utilization – Zonal Cavity Method

Effective Floor Cavity Reflectance 0.20

RC	80				70				50			30			10			0
	70	50	30	10	70	50	30	10	50	30	10	50	30	10	50	30	10	0
0	119	119	119	119	116	116	116	116	111	111	111	106	106	106	102	102	102	100
1	110	105	101	98	107	103	99	96	99	96	93	95	92	90	91	89	87	85
2	100	93	86	81	98	91	85	80	87	82	78	84	80	76	81	77	74	72
3	92	82	74	68	89	80	73	67	77	71	66	75	69	65	72	68	64	62
4	84	73	65	58	82	72	64	58	69	62	57	67	61	56	65	60	55	53
5	78	65	57	50	76	64	56	50	62	55	50	60	54	49	58	53	49	46
6	72	59	50	44	70	58	50	44	56	49	44	55	48	43	53	47	43	41
7	67	54	45	39	65	53	45	39	51	44	39	50	43	39	49	43	38	36
8	62	49	41	35	61	48	41	35	47	40	35	46	39	35	45	39	34	33
9	58	45	37	32	57	45	37	32	43	36	31	42	36	31	41	35	31	29
10	55	42	34	29	53	41	34	29	40	33	29	39	33	28	38	33	28	27

## Zonal Lumen Summary

Zone	Lumens	%Lamp	%Fixt
0-20	4318.17	N.A.	14.30
0-30	9192.38	N.A.	30.50
0-40	15014.95	N.A.	49.80
0-60	25314.00	N.A.	83.90
0-80	29706.29	N.A.	98.50
0-90	30098.71	N.A.	99.80
10-90	28984.64	N.A.	96.10
20-40	10696.78	N.A.	35.50
20-50	16424.06	N.A.	54.40
40-70	13234.42	N.A.	43.90
60-80	4392.29	N.A.	14.60
70-80	1456.92	N.A.	4.80
80-90	392.43	N.A.	1.30
90-110	9.5	N.A.	0.00
90-120	18.45	N.A.	0.10
90-130	30.64	N.A.	0.10
90-150	55.82	N.A.	0.20
90-180	71.91	N.A.	0.20
110-180	62.40	N.A.	0.20
0-180	30170.62	N.A.	100.00

Total Luminaire Efficiency = N.A.%

Specifications and dimensions subject to change without notice.

# TECHNOLOGY CAST IN A BEAUTIFUL LIGHT

For over 20 years, TCP has been designing, developing and delivering energy-efficient lighting into the market. Thanks to our cutting-edge technology and manufacturing expertise, we have shipped billions of high quality lighting products. With TCP, you can count on a lighting product that is designed to meet the needs of the market - that transforms your surroundings and envelopes you in warmth - lighting that generates beauty with every flip of the switch.

Sales:

Date:

Model:

Project:

Rep:

Catalog Number:

Type:

Notes:



For more information on the quality and care TCP can deliver, call us at **800.324.1496** or visit [tcp.com](http://tcp.com)

325 Campus Dr. | Aurora, Ohio 44202 | P: 800.324.1496 | F: 877.487.0516