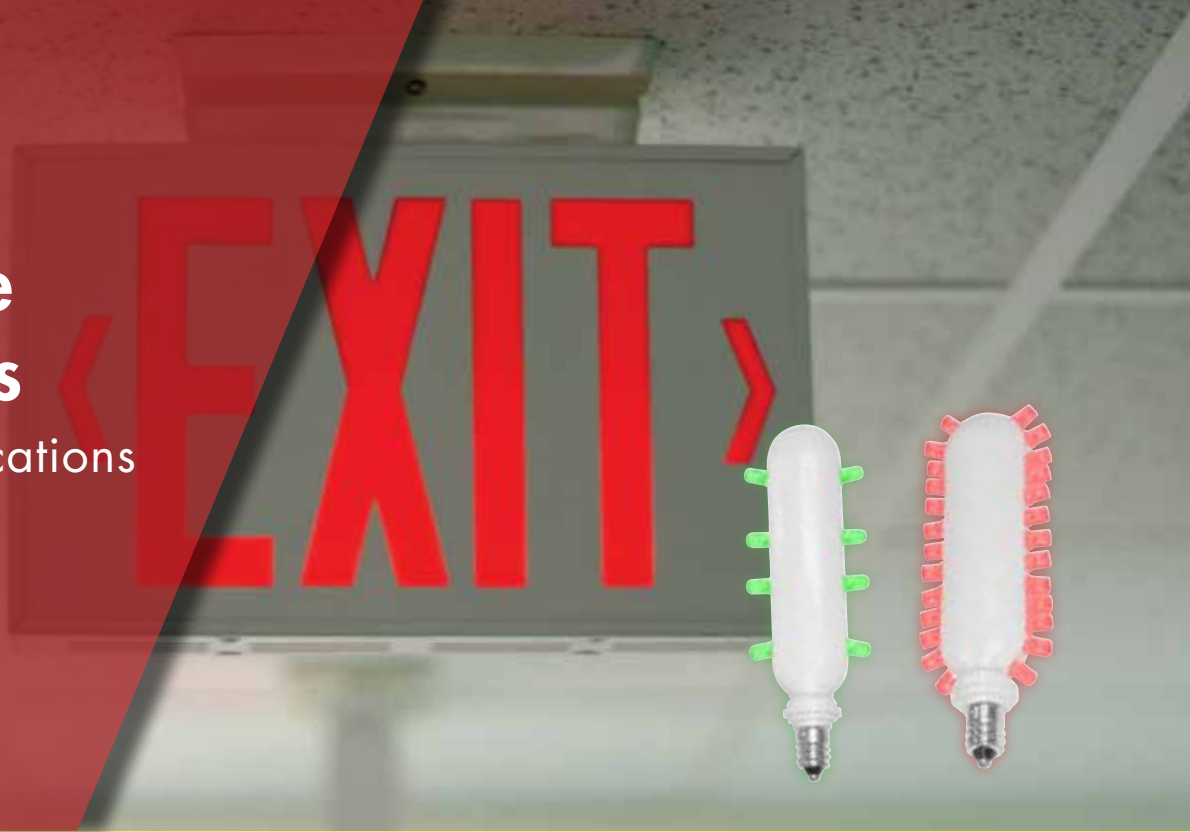




LED Paddle Retrofit Kits

Product Specifications



Upgrade existing incandescent and LED exit signs with LED Paddle Retrofit Kits from TCP. The innovative Candelabra Retrofit Kit installs easily into most single- and double-sided exit signs.

Reasons to Choose LED Paddle Retrofit Kits from TCP

- Solid construction – made to retrofit into most existing exit signs
- Kits easily convert most incandescent exit signs to energy-efficient LED
- Innovative concave design
- Available in red or green
- ETL listed

Ideal Applications

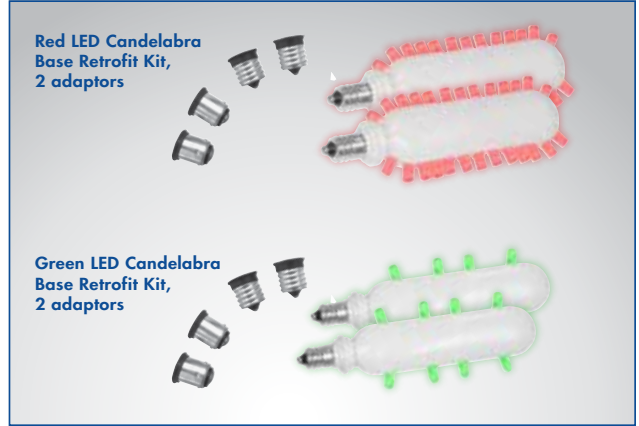
- Retail
- Commercial
- Industrial
- Schools
- Hospitals
- Parking Lots

Construction

- Solid construction – made to fit into existing exit signs
- Candelabra version comes with bayonet and intermediate base adapters

Specifications

Voltage.....Dual 120/277V
 Wattage.....2.8W per kit
 Min Start Temp.....32° F (0° C)
 Max Oper Temp.....122° F (50° C)
 Listings.....ETL listed, conforms to UL924, NFPA 101
 Life Safety Code, NEC, OSHA, Local and State Codes
 Warranty.....5 years



Electrical

- Dual 120/277V
- 2.8W per kit
- Excellent energy efficiency

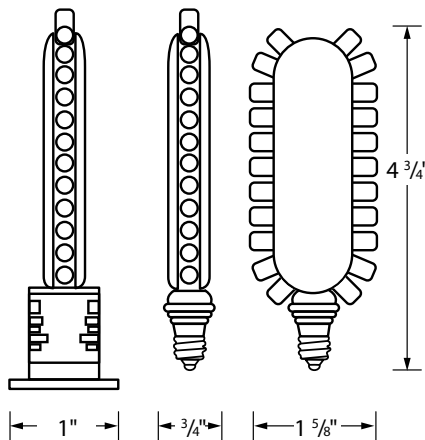
Optics

- Ultra-bright, energy-efficient LEDs
- Innovative concave design
- Available in red or green

Installation

- Installs easily into most existing exit signs

Dimensions



ITEM #	DESCRIPTION	MOL (INCHES)	WIDTH (INCHES)	DEPTH (INCHES)	INPUT VOLTAGE	WATTS PER LAMP
LED Paddle Retrofit Kits						
20715	Red LED Candelabra Base Retrofit, 2 Adapters	4.75	1.63	0.75	120V	1.4W
20717	Green LED Candelabra Base Retrofit, 2 Adapters	4.75	1.63	0.75	120V	0.7W

TECHNOLOGY CAST IN A BEAUTIFUL LIGHT

For over 20 years, TCP has been designing, developing and delivering energy-efficient lighting into the market. Thanks to our cutting-edge technology and manufacturing expertise, we have shipped billions of high quality lighting products. With TCP, you can count on a lighting product that is designed to meet the needs of the market - that transforms your surroundings and envelopes you in warmth - lighting that generates beauty with every flip of the switch.

Sales:

Date:

Model:

Project:

Rep:

Catalog Number:

Type:

Notes:



For more information on the quality and care TCP can deliver, call us at **800.324.1496** or visit tcp.com

325 Campus Dr. | Aurora, Ohio 44202 | P: 800.324.1496 | F: 877.487.0516