

# SYLVANIA Luminaires

## Hi-PerformanceLED™ Slim MICRODISK™

### Application

The SYLVANIA Hi-PerformanceLED Slim Microdisk is a slim profile LED downlight kit with remote driver that operates at 120-277V universal input voltage. The less than 1" thin design allows for installation directly under joists in new and remodel construction and for installing without a housing. Ideal in bathrooms/kitchens, closets/attics, soffits, stairwells, or corridors.

### Benefits and Features

- 5 CCT Selectable
- Modern, low profile form provides updates from traditional designs
- No warm up time, instant on with full light and consistent lamp to lamp color
- 120° beam angle
- Up to 82 LPW
- CRI >90
- Offered in 8.5 and 13.5 watts
- Uniform, glare free illumination
- Energy savings up to 87%

### Electrical

- 120-277V<sub>AC</sub>
- Power Factor >0.9
- 0-10V dimmable

### Rated Life

- 50,000 hours (L<sub>70</sub>)

### Warranty

- 5-year

### Operating Temperature

- -4°F to +104°F (-20°C to +40°C)

Item #	_____
Type	_____
Project	_____
Notes	_____
Date	_____



### Wattage Comparison

Traditional Source	Traditional System Wattage	LED System Wattage	Energy Savings
Incandescent	55	8.5	87%
Incandescent	100	13.5	87%

### Certifications and Listings

- cETLus
- RoHS
- FCC
- ENERGY STAR®
- T24
- Fire rated as per UL1598

### Installation

Hardwire



## Ordering Guide

MD	XR	XX00	UNV	D	9	SC3
Product Name	Size	Lumens	Voltage	Dimming	CRI	Color Temp
MD =	4R = 4" round	600 = 600lm	120-277V	D = 0-10V	9 = >90	SC3 = 2700K, 3000K,
MICRODISK	6R = 6" round	1100 = 1100lm				3500K, 4000K or 5000K

## Ordering Information

Item Number	Ordering Abbreviation	Power (W)	Base Type	Replaces	Input Voltage (V)	Avg. Life (hrs)	CCT	Case Qty	Typical Lumens (lm)	CRI	Power Factor	Bulb Finish	ENERGY STAR®	T20	T24
65667	MD4R600UNVD9SC3	8.5	Hardwire	65	120-277V	50,000	2700K/3000K/ 3500K/4000K/ 5000K	4	600	>90	>0.9	Frosted	Yes	No	Yes
65668	MD6R1100UNVD9SC3	13.5	Hardwire	100	120-277V	50,000	2700K/3000K/ 3500K/4000K/ 5000K	4	1100	>90	>0.9	Frosted	Yes	No	Yes

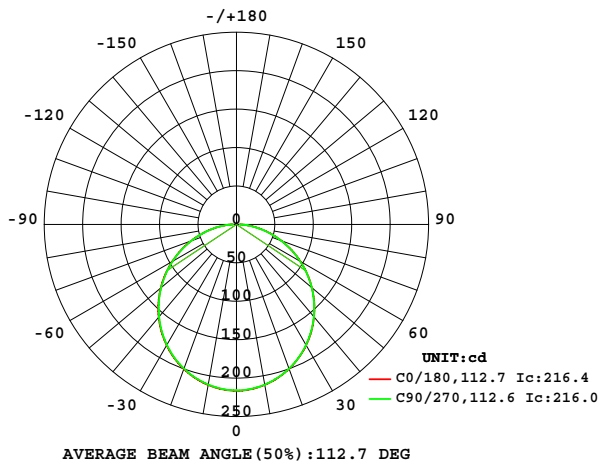
## Energy Savings

Basic Product Description	LED Life (hrs)	LED Lumens	Similar Incandescent	Incandescent Lumens	Watts Saved	Energy Savings*	LED Life vs Incandescent
MD4R600	50,000	600	2000	700	57	\$314	25x
MD6R1100	50,000	1100	2000	1000	86.5	\$476	25x

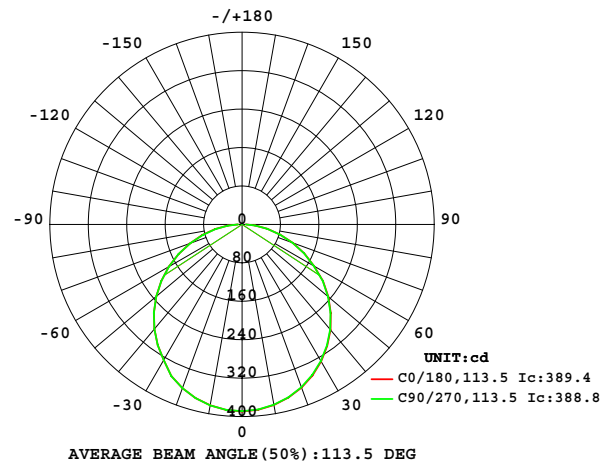
\*Energy savings over life of lamp calculated at \$0.11/kWh

## Photometric Data

MD4



MD6



## Accessories

### Color Trim Rings

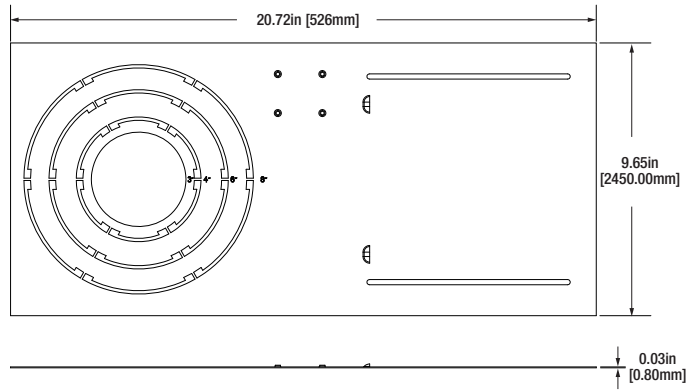
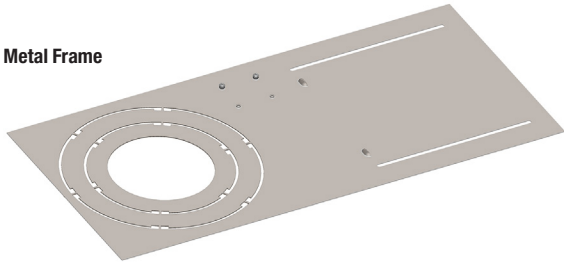
Item Number	Ordering Abbreviation
62378	MD4TRIMDKBZ2A
62379	MD4TRIMBLK2A
62380	MD4TRIMORBZ2A
62381	MD4TRIMSN2A
62382	MD6TRIMDKBZ2A
62383	MD6TRIMBLK2A
62384	MD6TRIMORBZ2A
62385	MD6TRIMSN2A



## Accessories (continued)

Item Number	Ordering Abbreviation	Length	Width
61887	LED_SLIM_DF_FRAME	20.72in (526mm)	9.65in (245.0mm)

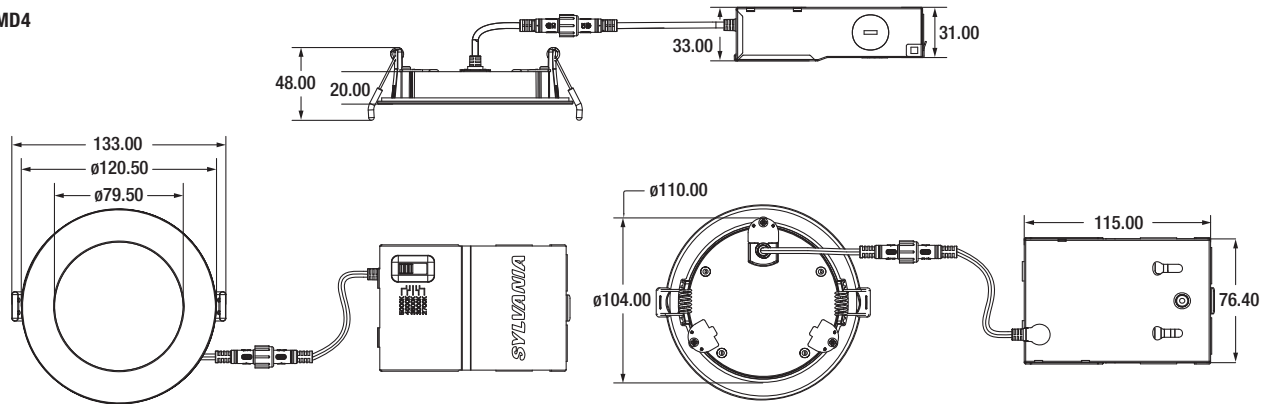
Metal Frame



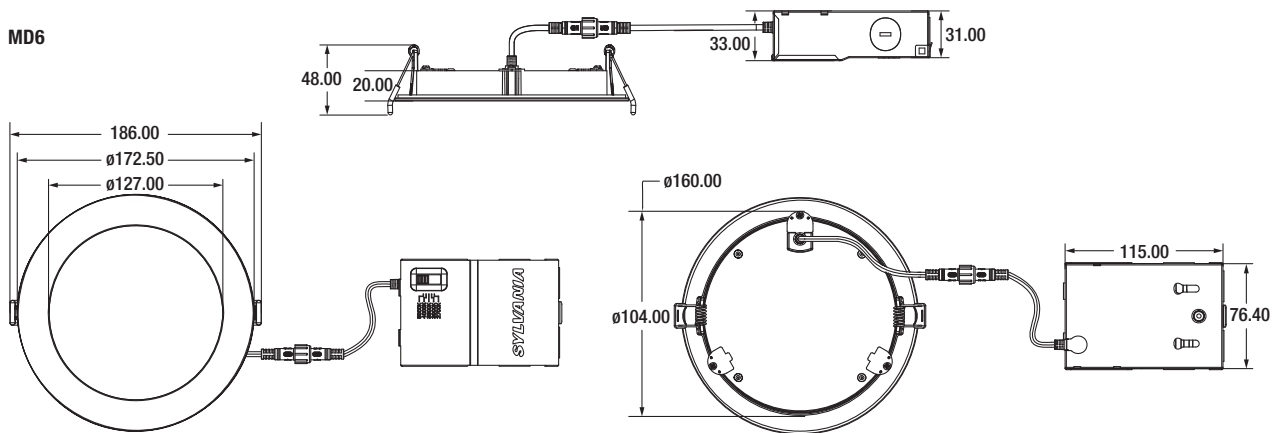
## Physical Information

Lamp Description	Height (in)	Diameter (in)
MD4R600UNVD9SC3	0.78	4.74
MD6R1100UNVD9SC3	0.78	6.79

MD4

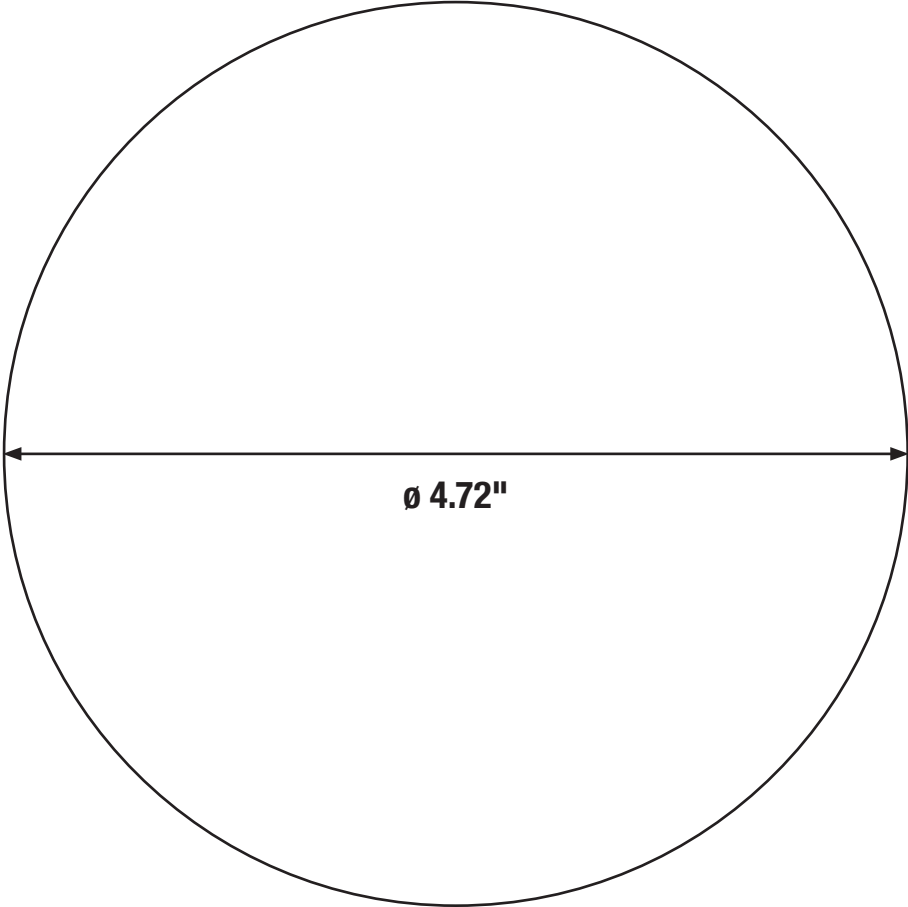


MD6



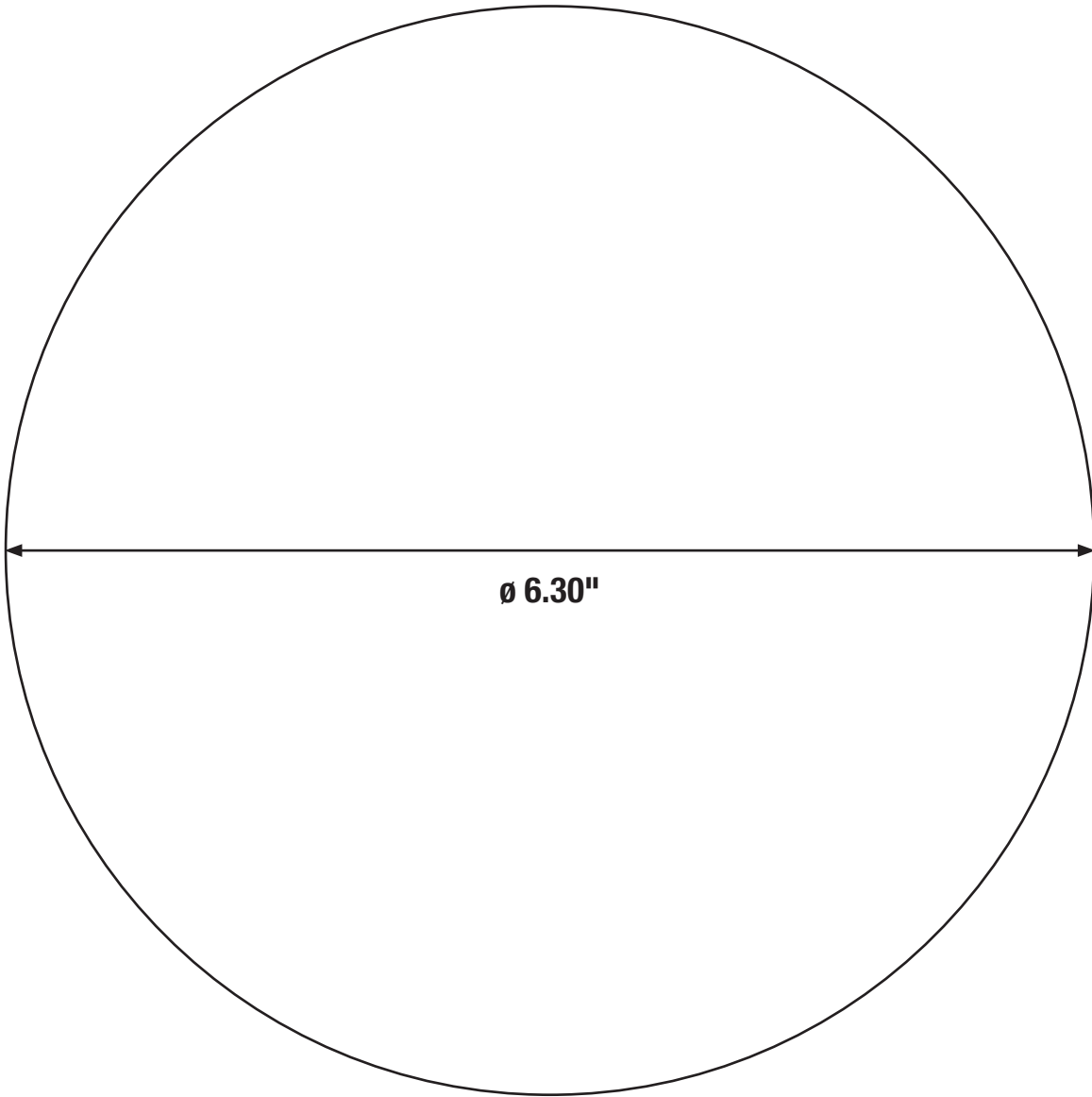
Hole Cut Template

MD4



## Hole Cut Template

MD6



LEDVANCE LLC  
200 Ballardvale Street  
Wilmington, MA 01887 USA  
Phone 1-800-LIGHTBULB (1-800-544-4828)  
www.ledvanceUS.com

SYLVANIA and LEDVANCE are registered trademarks.  
All other trademarks are those of their respective owners.  
Licensee of product trademark SYLVANIA in general lighting.  
Specifications subject to change without notice.

 /sylvania  /sylvania

Name:	<input type="text"/>
Email:	<input type="text"/>
Phone:	<input type="text"/>

