

SYLVANIA Luminaires

ValueLED™ Selectable Slim MICRODISK™

Application

The SYLVANIA ValueLED Selectable Slim MICRODISK is a slim profile LED downlight kit with remote driver that operates at 120VAC. The 1/2" height allows for installation directly under joists in new and remodel construction.

Benefits and Features

- 5 CCT selectable enabled through a switch located on the driver
- High CRI (>90) ensures a high quality light
- 1/2" height facilitates installations in most residential applications
- Up to 80 LPW
- CRI >90
- Offered in 500 (8W), 800 (13W), 1200 (16W), 1600 (20W) and 2000 (27W) lumens
- 3", 4", 6", 8" and 12" size versions available
- FT6 cable
- Energy savings up to 92%
- IC rated
- Wet rated

Electrical

- Designed to operate at 120VAC
- Power Factor >90%
- THD < 20%
- Phase-cut dimmable (10%–100%)

Rated Life

- 50,000 hours (L70)

Warranty

- 5-year
- NLB Trusted Warranty Program

Ambient Operating Range

- -4°F to +104°F (-20°C to +40°C)

Certifications and Listings

- cETLus
- RoHS
- FCC
- ENERGY STAR®
- CEC Title 24 JA8 Listed

Item #
Type
Project
Notes
Date



Wattage Comparison

Traditional Source	LED System Wattage	Energy Savings
100W BR40	8W	92%
120W Incandescent	13W	90%
23W CFL	16W	30%
32W CFL	20W	63%
40W CFL	27W	48%

Installation

- For installation into 3", 4", 6", 8" and 12" ceiling cut-outs.
- Universal Metal Frame sold separately as accessory for new construction: fits all sizes in Slim MICRODISK portfolio.
- Suitable for dimmers or in housings controlled by a dimmer.



Ordering Guide

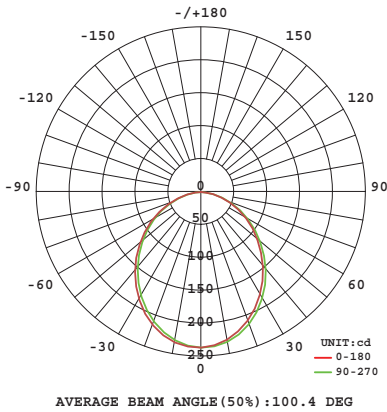
LEDMD	X	R	2A	XXXX	S	T	9	SC3
Product Name	Size	Shape	Generation	Lumens	Voltage	Dimming	CRI	CCT
LEDMD = LED	3 = 3"	R = Round	2A = Generation 2A	500 = 500 lumens	S = 120V	T = Phase-cut dimming	9 = >90	SC3 = Selectable Color (2700, 3000, 3500, 4000, 5000K)
MICRODISK	4 = 4"			800 = 800 lumens				
	6 = 6"			1200 = 1200 lumens				
	8 = 8"			1600 = 1600 lumens				
	12 = 12"			2000 = 2000 lumens				

Ordering Information

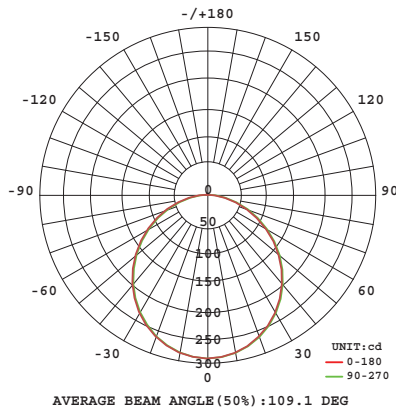
Item Number	Ordering Abbreviation	Wattage	Input Voltage	Dimming	CRI	Color Temp	Total Fixture Lumens	LPW	ENERGY STAR®	Case Quantity
61403	LEDMD3R2A500ST9SC3	8	120	Phase-Cut	90	2700, 3000, 3500, 4000 or 5000K	500	62.5	Yes	4
61404	LEDMD4R2A800ST9SC3	13	120	Phase-Cut	90	2700, 3000, 3500, 4000 or 5000K	800	61.5	Yes	4
62346	LEDMD6R2A800ST9SC3	13	120	Phase-Cut	90	2700, 3000, 3500, 4000 or 5000K	800	61.5	Yes	4
61405	LEDMD6R2A1200ST9SC3	16	120	Phase-Cut	90	2700, 3000, 3500, 4000 or 5000K	1200	75.0	Yes	4
61406	LEDMD6R2A1200ST9SC3	16	120	Phase-Cut	90	2700, 3000, 3500, 4000 or 5000K	1200	75.0	Yes	16
61407	LEDMD8R2A1600ST9SC3	20	120	Phase-Cut	90	2700, 3000, 3500, 4000 or 5000K	1600	80.0	Yes	4
65526	LEDMD12R2A2000ST9SC3	27	120	Phase-Cut	90	2700, 3000, 3500, 4000 or 5000K	2000	74.0	Yes	4

Photometric Data

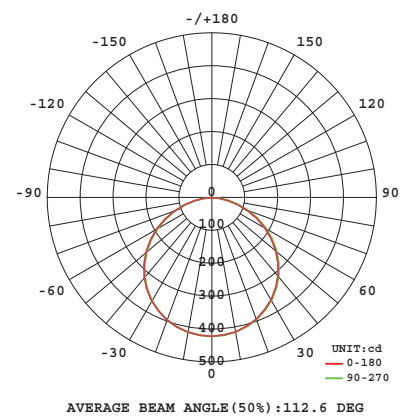
3-inch



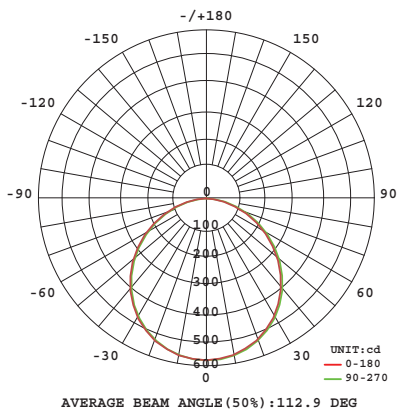
4-inch



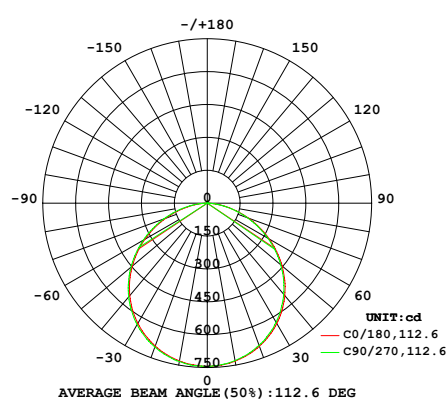
6-inch



8-inch



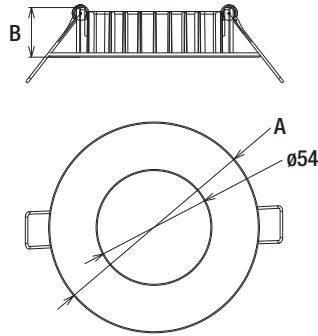
12-inch



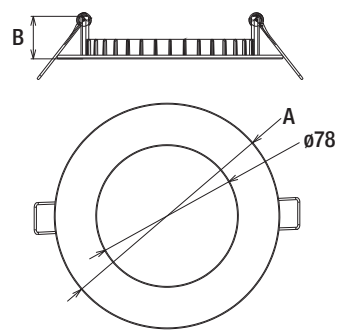
Physical Information

Item Number	(A) Diameter in (mm)	(B) Height in (mm)	Weight (lb)
61403	3.9 (100)	0.9 (2.35)	5.29
61404	4.9 (125)	0.9 (2.35)	9.31
61405	6.8 (175)	0.9 (2.35)	10.65
61407	8.8 (225)	0.9 (2.35)	17.04
65526	13 (330.2)	0.9 (2.35)	23.04

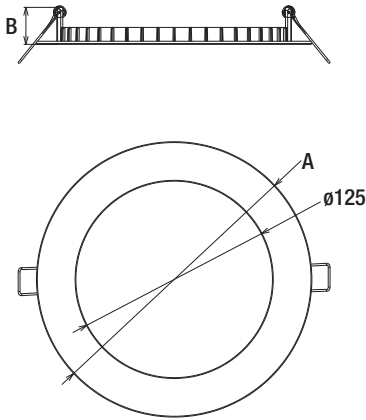
3-inch



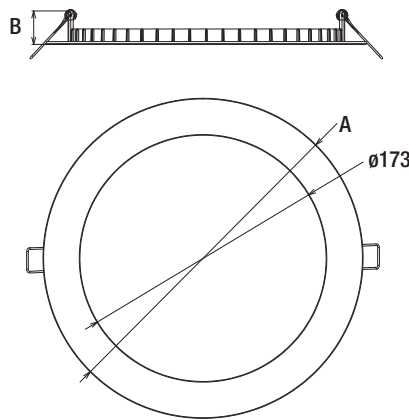
4-inch



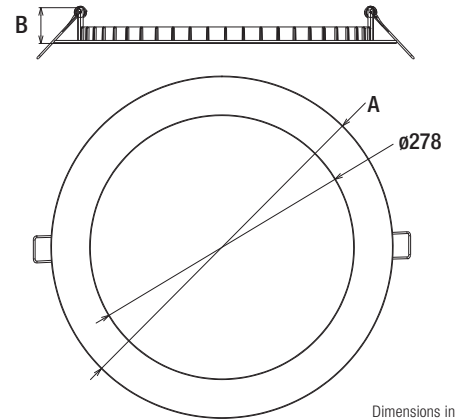
6-inch



8-inch



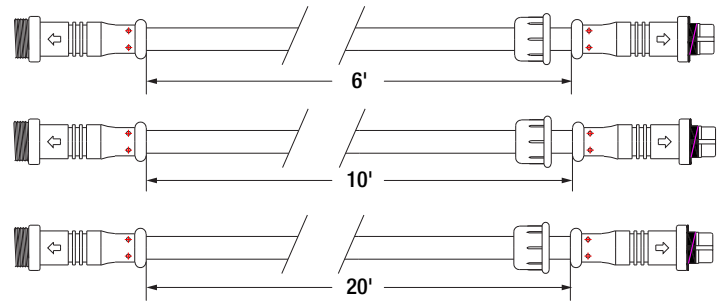
12-inch



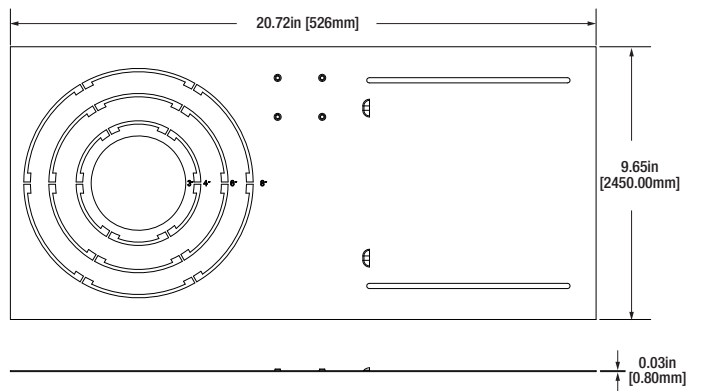
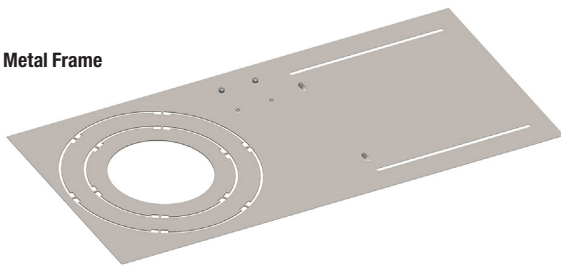
Dimensions in mm

Accessories

Item Number	Ordering Abbreviation	Length	Width
60793	LEDMD6FTEXCBL	6ft	-
60794	LEDMD10FTEXCBL	10ft	-
60795	LEDMD20FTEXCBL	20ft	-
61887	LEDLIMMDFRAME	20.72in (526mm)	9.65in (2450mm)

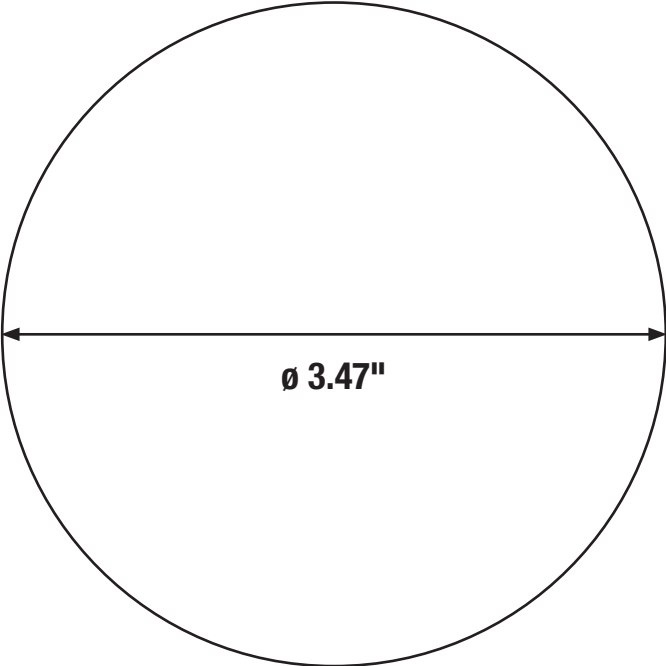


Metal Frame

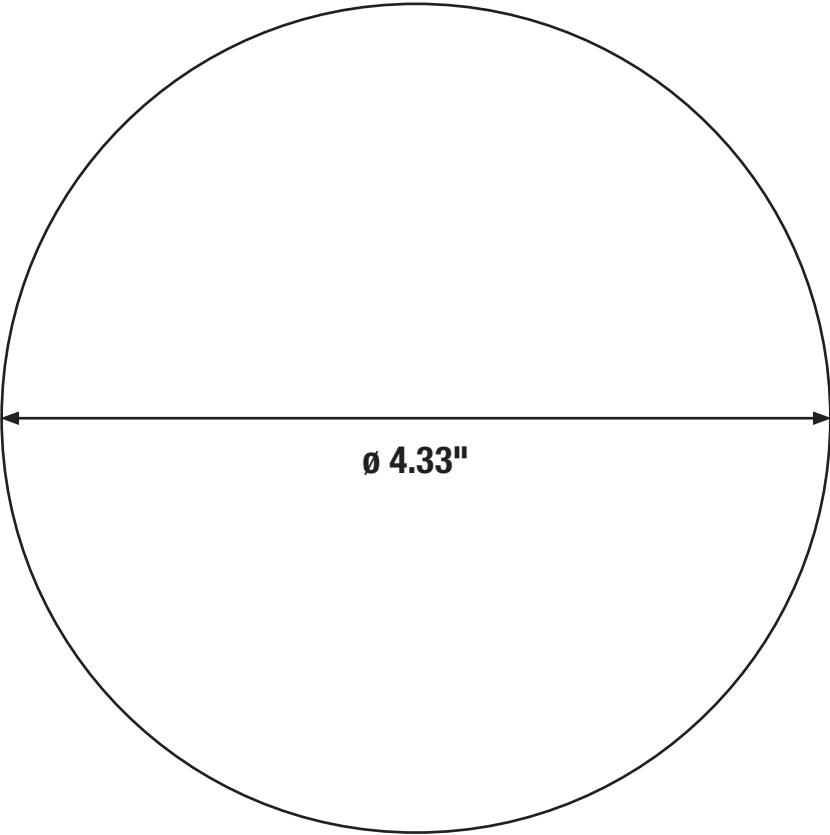


Hole Cut Templates

MD3 Hole Cut Template

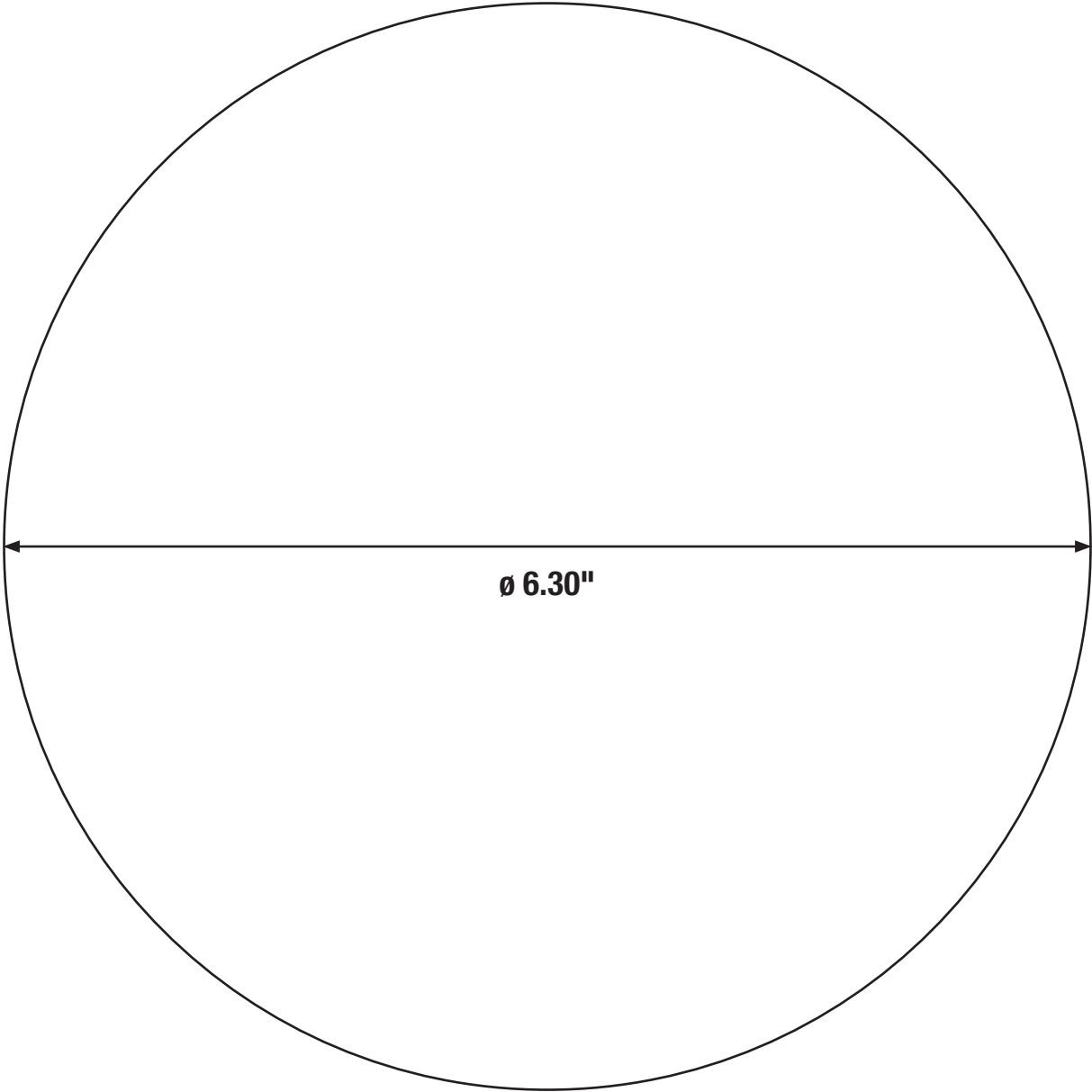


MD4 Hole Cut Template



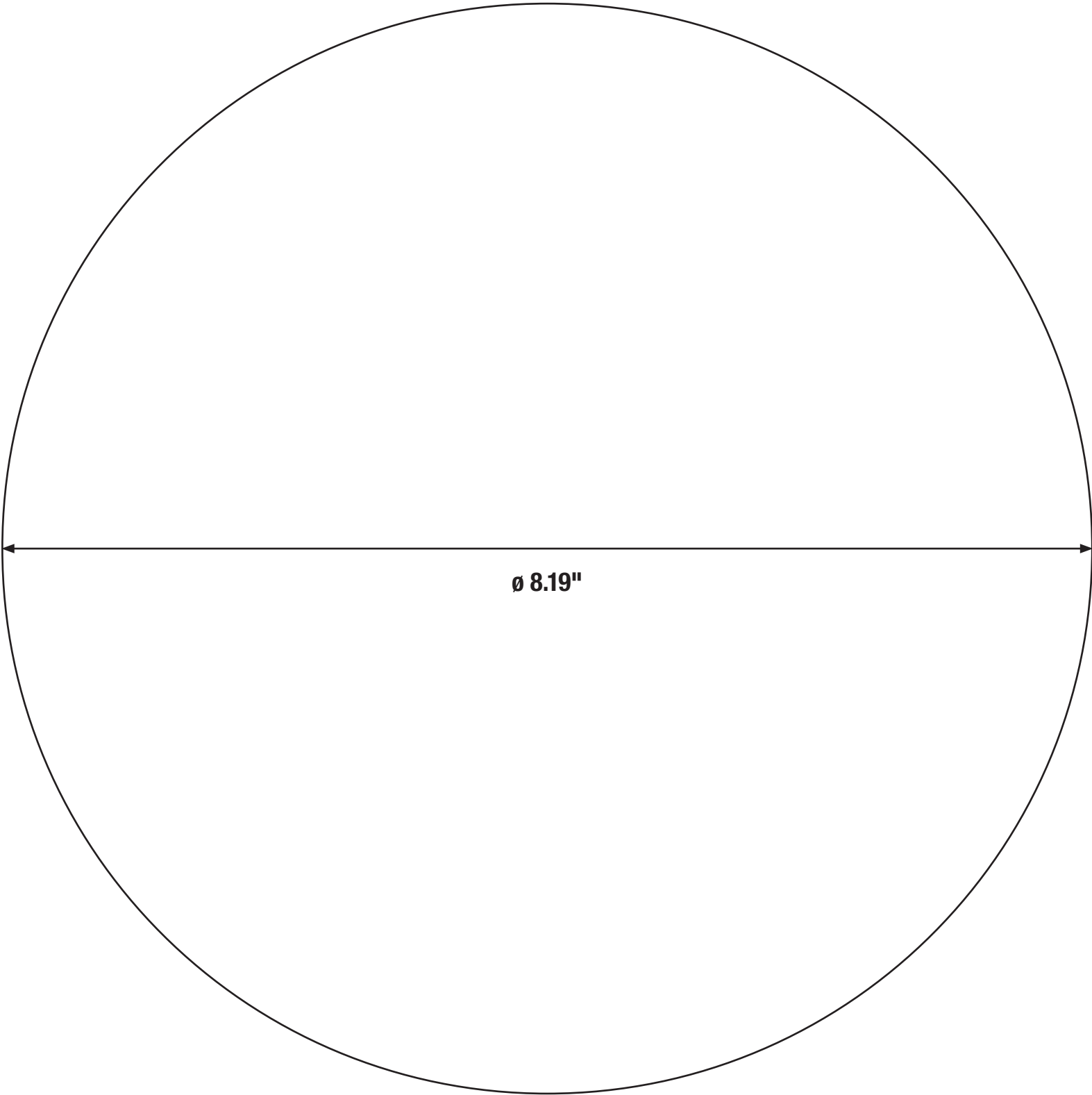
Hole Cut Templates

MD6 Hole Cut Template



Hole Cut Templates

RT8 Hole Cut Template



Additional Specifications

- Suitable for indoor and outdoor, dry and wet locations.
- Not intended for use with emergency light fixtures or exit lights.
- Suitable for use in closets, compliant with NFPA 70, NEC section 410.16 (A)(3) and 410.16 (C)(5)
- For use in housings that can structurally support a lamp weighing one pound.

LEDVANCE LLC
200 Ballardvale Street
Wilmington, MA 01887 USA
Phone 1-800-LIGHTBULB (1-800-544-4828)
www.ledvanceUS.com

SYLVANIA and LEDVANCE are registered trademarks.
All other trademarks are those of their respective owners.
Licensee of product trademark SYLVANIA in general lighting.
Specifications subject to change without notice.



Name:	<input type="text"/>
Email:	<input type="text"/>
Phone:	<input type="text"/>

