

# SYLVANIA Luminaires

## ValueLED™ Backlit Dual Selectable Panel

### Application

The SYLVANIA ValueLED Backlit Panels are a versatile and economical solution for offices, schools, hospitality and retail areas.

### Benefits and Features

- Backlit technology that offers even lighting distribution without shadowing
- Color Selectable: 3500K, 4000K and 5000K in the same product
- Wattage/Lumen selectable: three different lumen outputs in the same product
- PMMA lenses that do not yellow over time
- CRI >80
- Energy savings up to 64%
- DLC Listed to maximize rebate opportunities
- EM ready – compatible with the SYLVANIA field installable emergency battery back-up unit (see Accessories for further details)
- Optional 6ft 3-18AWG solid 3/8" fixture whip with screw in connector (see Ordering Guide for further information)

### Electrical

- 120-277V<sub>AC</sub>
- Power Factor >0.9
- THD <20%
- 0-10V dimmable

### Rated Life

- 50,000 hours (L<sub>70</sub>)

### Warranty

- 5-year

### Operating Temperature

- -4°F to +122°F (-20°C to +50°C)

### Certifications and Listings

- cETLus
- RoHS
- FCC
- IC Rated
- DLC
- Damp Rated

Item #
Type
Project
Notes
Date



### Wattage Comparison

Panel Size	Traditional Source	Traditional System Wattage	LED System Wattage	Energy Savings
1x4	2-lamp 28T8	49	30	39%
	2-lamp 32T8	56	30	46%
2x2	3-lamp 17T8	48	30	38%
	2-Ulamp 31T8	56	30	46%
	2-lamp 28T8	49	30	39%
	2-lamp 32T8	56	30	46%
	3-lamp 32T8	75	30	60%
2x4	3-lamp 28T8	64	35	45%
	3-lamp 32T8	75	35	53%
	3-lamp 28T8	64	40	38%
	3-lamp 32T8	75	40	47%
	4-lamp 28T8	97	40	59%
	4-lamp 32T8	112	40	64%
	4-lamp 28T8	97	45	54%
4-lamp 32T8	116	45	61%	



## Ordering Guide

PANELF	3B	S	UNV	D	8	SC7	XX	G	WH	X
Product Name PANELF = LED Panel	3B = Generation 3B	S = Selectable Wattage 035 = 20/30/35 045 = 30/35/45	Voltage UNV = 120-277V	Dimming D = 0-10V dimming	CRI 8 = >80	Color Temp SC7 = 3500K, 4000K and 5000K	Dimensions 14 = 1x4 22 = 2x2 24 = 2x4	Mounting G = Grid	Color / Finish WH = White	Options Blank = no option W = with whip

## Ordering Information

Item Number	Ordering Abbreviation	Power (W)	Total Fixture Lumens	Input Voltage (V)	Dimming	CRI	Color Temp	DLC	Efficiency (LPW)	Size	Options	MTO*
65484	PANELF3BS035UNVD8SC714GWH	20/30/35	2200/3300/ 3850	120-277V	0-10V	80	3500/4000/ 5000K	Standard	110	1x4	–	–
65485	PANELF3BS035UNVD8SC722GWH	20/30/35	2200/3300/ 3850	120-277V	0-10V	80	3500/4000/ 5000K	Standard	110	2x2	–	–
65486	PANELF3BS045UNVD8SC724GWH	30/35/45	3300/3850/ 5000	120-277V	0-10V	80	3500/4000/ 5000K	Standard	110	2x4	–	–
62142	PANELF3BS035UNVD8SC714GWHW	20/30/35	2200/3300/ 3850	120-277V	0-10V	80	3500/4000/ 5000K	Standard	110	1x4	With 6ft whip	MTO
62143	PANELF3BS035UNVD8SC722GWHW	20/30/35	2200/3300/ 3850	120-277V	0-10V	80	3500/4000/ 5000K	Standard	110	2x2	With 6ft whip	MTO
62144	PANELF3BS045UNVD8SC724GWHW	30/35/45	3300/3850/ 5000	120-277V	0-10V	80	3500/4000/ 5000K	Standard	110	2x4	With 6ft whip	MTO

\*Made To Order

## Dimmer Compatibility

Brand	Type	Model
Leviton	0-10V	DS710
Leviton	0-10V	IP710
Lutron	0-10V	NTSTV-DV
Lutron	0-10V	NFTV
Lutron	0-10V	DVTV-WH
Legrand	0-10V	H4FBL3PW

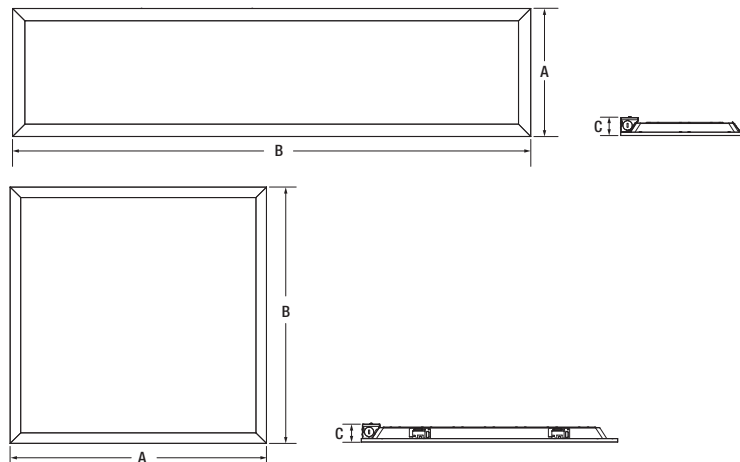
## Photometric Data

Average Illuminance (FC) at 30" AFF and avg/min uniformity 80/50/20 Reflectances

			8 ft Mounting Height			10 ft Mounting Height			12 ft Mounting Height		
			On Center Fixture Spacing								
			8'x10'	10'x10'	10'x12'	8'x10'	10'x10'	10'x12'	8'x10'	10'x10'	10'x12'
<b>1'x4'</b>	<b>30W</b>	PANELF3BS035UNVD8SC714GWH	54fc/1.5	44fc/1.3	35fc/2.2	52fc/1.6	43fc/1.5	35fc/2.0	50fc/1.7	41fc/1.6	33fc/1.9
<b>2'x2'</b>	<b>35W</b>	PANELF3BS035UNVD8SC722GWH	53fc/1.5	44fc/1.4	35fc/2.4	51fc/1.6	41fc/1.5	34fc/2.1	49fc/1.7	40fc/1.6	33fc/2.0
<b>2'x4'</b>	<b>45W</b>	PANELF3BS045UNVD8SC724GWH	69fc/1.5	57fc/1.3	47fc/2.3	67fc/1.6	55fc/1.4	45fc/2.0	64fc/1.6	53fc/1.6	43fc/1.9

## Physical Information

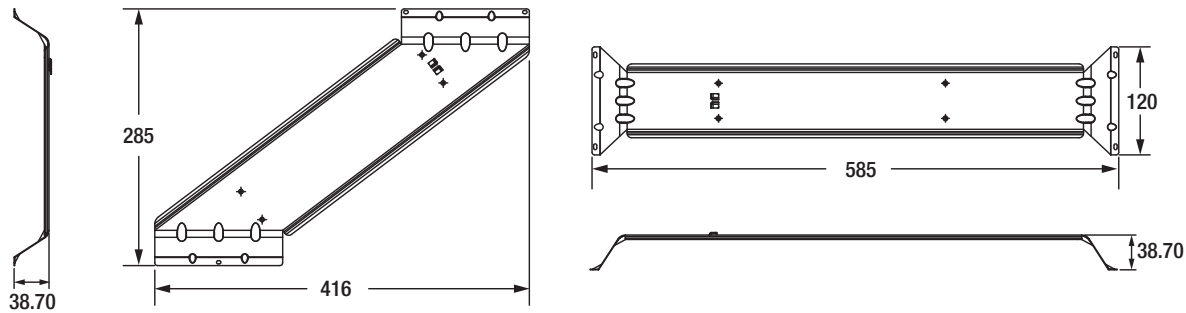
Lamp Description	(A) Length in (mm)	(B) Width in (mm)	(C) Height in (mm)
1x4	12.0 (304)	47.8 (1214)	1.8 (45)
2x2	23.9 (604)	23.9 (604)	1.7 (44)
2x4	23.9 (604)	47.8 (1214)	1.7 (44)



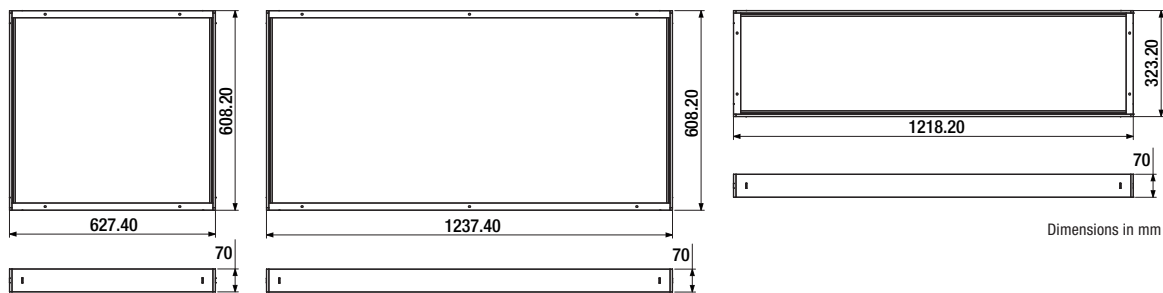
## Accessories and Replacement Parts

Item Number	Ordering Abbreviation	Item Description
60888	EMBB1A8WDC	Field installable emergency battery back-up unit
61682	ACCPANELF3AEMBB-BRIDGE2	Metal bridge for installing emergency battery back-up unit to 2x2 and 2x4 panels
61683	ACCPANELF3AEMBB-BRIDGE1	Metal bridge for installing emergency battery back-up unit to 1x4 panels
62064	SMKIT3A/22/WH	Surface Mount Kit for 2x2 Backlit Panel, extruded Aluminum, white finish
62065	SMKIT3A/24/WH	Surface Mount Kit for 2x4 Backlit Panel, extruded Aluminum, white finish
62066	SMKIT3A/14/WH	Surface Mount Kit for 1x4 Backlit Panel, extruded Aluminum, white finish
62067	SPKIT3A	Suspension Kit for Backlit Panels
60457	FK1A14GWH	Flange Kit for 1x4 Panel
60458	FK1A22GWH	Flange Kit for 2x2 Panel
60459	FK1A24GWH	Flange Kit for 2x4 Panel

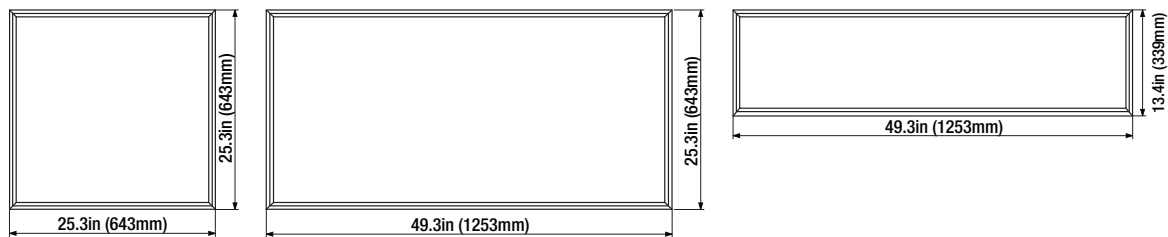
### Metal Bridge



### Surface Mount Kit



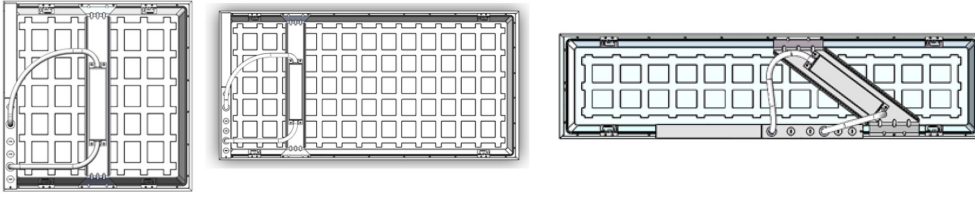
### Flange Kit



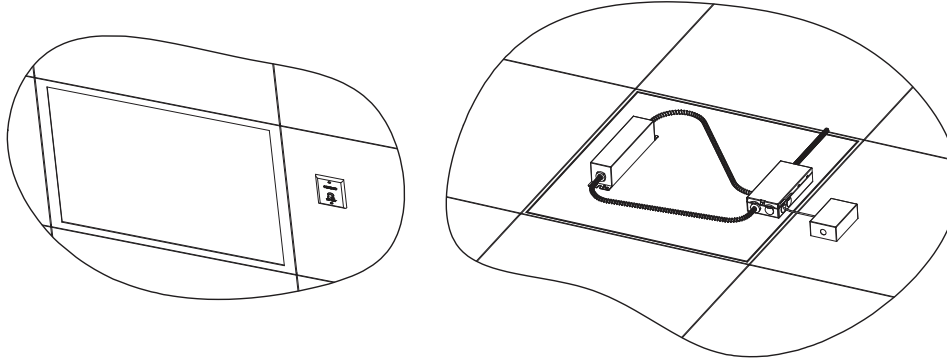
## Options Information

### Emergency Battery Backup

Emergency Battery Backup: Activates when normal power supply to the fixture fails, providing a minimum of 790 lumens (850 nominal lumens) for at least 90 minutes.



### Location of Emergency Test Switch



### Additional Specifications

- cETLus listed to UL1598 standards
- IC and damp rated

LEDVANCE LLC  
200 Ballardvale Street  
Wilmington, MA 01887 USA  
Phone 1-800-LIGHTBULB (1-800-544-4828)  
www.sylvania.com

SYLVANIA and LEDVANCE are registered trademarks.  
All other trademarks are those of their respective owners.  
Licensee of product trademark SYLVANIA in general lighting.  
Specifications subject to change without notice.



Name:	_____
Email:	_____
Phone:	_____

