

SYLVANIA Lamps

Hi-PerformanceLED™ Light Disk

Application

The SYLVANIA LED Light Disk is a downlight kit producing high performance light, optimized for new construction and retrofit applications. Multiple installation options are available for both recessed and surface mount applications.

Benefits and Features

- Fits into most 4", 5" and 6" recessed downlight fixtures
- Suitable for dry, damp and wet locations
- Lasts up to 25x longer than incandescent lamps
- Integrated white trim and medium base for direct replacement
- Up to 85 LPW
- 5 CCT selectable (2700K, 3000K, 3500K, 4000K, 5000K)
- CRI >92
- Offered in 9, 11 or 14 watts
- Uniform, glare free illumination distribution
- Energy savings up to 86%

Electrical

- 120VAC
- Power Factor 90%
- Dimmable

Rated Life

- 50,000 hours (L₇₀)

Warranty

- 5 year

Ambient Operating Range

- -4°F to 104°F (-20°C to 40°C)



Wattage Comparison

Traditional Source	Traditional System Wattage	LED System Wattage	Energy Savings
Incandescent	65W	9W	86%
Incandescent	75W	11W	85%
Incandescent	100W	14W	86%

Certifications and Listings

- cETLus
- RoHS
- FCC*
- ENERGY STAR®
- Compliant with CEC Title 20 Efficiency Standards
- CEC Title 24 JA8 Listed

*FCC Title 47 CFR, Part 15 Subpart B Class B

Installation

- Dual installation (Jbox – Direct wire)
- Surface mount to standard 4" J-Box or using connector box
- Screw base
- Suitable for dimmers or in housings controlled by a dimmer. For a list of compatible dimmers, please refer to <https://www.sylvania.com/en-us/products/solid-state-lighting-led/Pages/ULTRA-Downlight-LED-Retrofit-Kits.aspx>



Specification Data

Catalog #	Type
Project	
Comments	
Prepared by	

Ordering Guide

LEDLD	XXXX	SC3
LED Light Disk	Lumens 650 = 650lm 900 = 900lm 1200 = 1200lm	5 Selectable Color Temperature

Ordering Information

Item Number	Ordering Abbreviation	Power (W)	Base Type	Replaces	Input Voltage	Average Life (hrs)	Typical Lumens (lm)	CCT	CRI	Power Factor	Bulb Finish	Case Qty	ENERGY STAR®	T20	T24
65306	LEDLD650SC3	9	Direct wire	65W	120V	50,000	650	2700K/3000K/ 3500K/4000K/ 5000K	>90	>90	Frosted	1	Yes	Yes	Yes
65114	LEDLD900SC3	11	Direct wire	75W	120V	50,000	900	2700K/3000K/ 3500K/4000K/ 5000K	>90	>90	Frosted	1	Yes	Yes	Yes
65115	LEDLD1200SC3	14	Direct wire	100W	120V	50,000	1200	2700K/3000K/ 3500K/4000K/ 5000K	>90	>90	Frosted	1	Yes	Yes	Yes

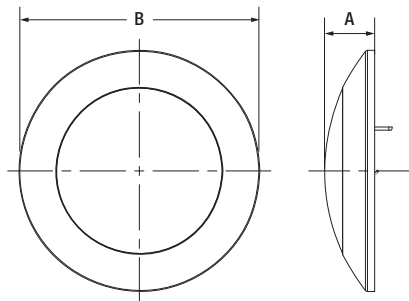
Energy Savings

Basic Product Description	LED Life (hrs)	LED Lumens	Similar Incandescent (hrs)	Incandescent Lumens	Watts Saved	Energy Savings*	LED Life vs Incandescent
LEDLD650SC3	50,000	650 lm	2000	680	56	\$308	25x
LEDLD900SC3	50,000	900 lm	2000	780	64	\$352	25x
LEDLD1200SC3	50,000	1200 lm	2000	1100	86	\$473	25x

*Energy savings over life of lamp calculated at \$0.11/kWh

Physical Information

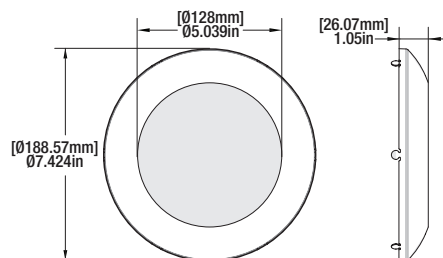
	(A) Height inches (mm)	(B) Diameter inches (mm)
LIGHT DISK 650lm	1.53 (39)	7.3 (186)
LIGHT DISK 900lm	1.53 (39)	7.3 (186)
LIGHT DISK 1200lm	1.53 (39)	7.3 (186)



Accessories

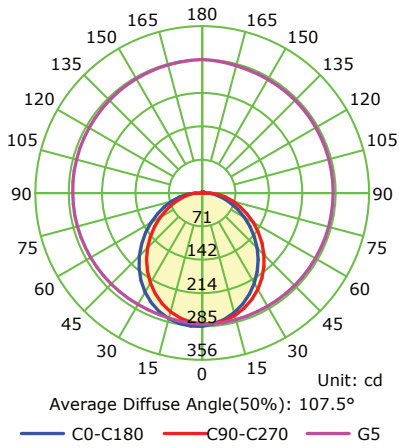
Retrofit Trim

75100	LDTRIMBLK (Black)
75101	LDTRIMORBZ (Bronze)
75102	LDTRIMSN (Satin Nickel)

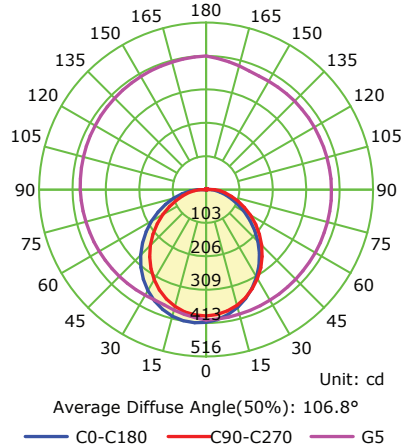


Photometric Data

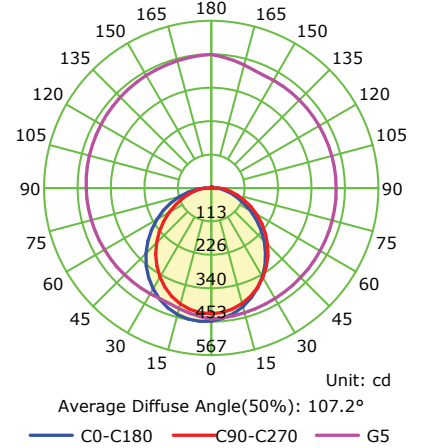
650lm



900lm



1200lm



LEDVANCE LLC
 200 Ballardvale Street
 Wilmington, MA 01887 USA
 Phone 1-800-LIGHTBULB (1-800-544-4828)
 www.sylvania.com

SYLVANIA and LEDVANCE are registered trademarks.
 All other trademarks are those of their respective owners.
 Licensee of product trademark SYLVANIA in general lighting.
 Specifications subject to change without notice.

[/sylvania](https://twitter.com/sylvania) [/sylvania](https://facebook.com/sylvania)

