

LEDVANCE Luminaires

WATTAGE SELECTABLE AREA FLOOD 5A

VALUE CLASS™

Application

The LEDVANCE Value Class Area Flood luminaires boast wattage selectable capabilities. Optional field-installable sensors allow for motion and control capabilities. Each luminaire ships with a universal mounting bracket allowing easy installation to round and square poles or slip fitters.



Benefits and Features

- Up to 140 LPW
- 3000K, 4000K, or 5000K color temperature
- CRI>80
- Selectable wattage and lumens:
 - 40/60/80W | 5,600/8,400/11,200 lm
 - 90/120/150W | 14,000/17,500/21,000 lm
 - 180/240/300W | 28,000/35,000/40,500 lm
- DLC 5.1 Premium Listing assures high energy efficiency and qualifies this product for utility rebates
- Type III, IV, V distribution options
- Field installable motion/daylight sensor
- Compatible with LEDVANCE LINK™ Bluetooth® controllers and sensors
- 3-pin NEMA receptacle + shorting cap (optional photocell available as an accessory)

Electrical

- 120-347VAC (277-480VAC optional)
- Power Factor > 0.9
- THD < 20%
- 0-10V Dimmable
- 6 kV surge protection

Rated Life

- 100,000 hours (L₇₀)

Warranty

- 5 year
- NLB Trusted Warranty Program

Operating Temperature

- -40°F to + 122°F (-40°C to +50°C)

Wattage Comparison

Traditional Source	Traditional System Wattage	LED System Wattage	Energy Savings
70W HPS	91	40	56%
100W HPS	120	40	67%
100W MH	130	40	69%
100W HPS	120	60	50%
100W MH	130	60	54%
150W HPS	170	60	65%
150W MH	188	80	57%
175W MH	210	80	62%
175W MH	210	80	62%
250W MH	290	90	69%
250W HPS	295	90	69%
250W MH	290	90	69%
250W HPS	295	120	59%
320 MH	370	120	68%
400W HPS	460	120	74%
320 MH	370	150	59%
400W HPS	460	150	67%
400W MH	450	150	67%
400W HPS	460	180	61%
400W MH	450	180	60%
750W MH	820	180	78%
750W HPS	840	240	71%
1000W MH	1080	240	78%
1000W HPS	1100	240	78%
750W HPS	840	300	64%
1000W MH	1080	300	72%
1000W HPS	1100	300	73%

Certifications and Listings

- cULus listed to UL1598 standards
- RoHs
- FCC
- IP65, wet location
- DLC 5.1 Premium
- Dark Sky compliant*

Installation

- Universal mounting bracket included for square and round pole mounting as well as slip fitter mount.

*3000K products with the bracket fixed in horizontal position only



Catalog #	Type
Project	
Comments	
Prepared by	

Ordering Guide

AREAFLD	5A	SXXX	XXX	D	8	X0	TX	BZ
Product Name	Generation	Wattage	Voltage	Dimming	CRI	Color Temperature	Distribution	Color/ Finish
AREAFLD= Area Flood	5A= Generation 5A	S080= 40/60/80W S150= 90/120/150W S300= 180/240/300W	UNH= 120-347V HUV=277-480V	D= 0-10V Dimming	8= >80	30= 3000K 40= 4000K 50= 5000K	T3= Type III T4= Type IV T5= Type V	BZ= Bronze

Ordering Information

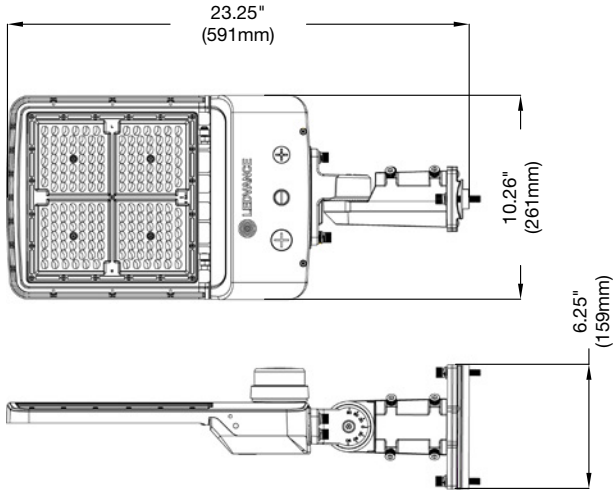
Item Number	Ordering Abbreviation	Wattage	Input Voltage	Dimming	CRI	Color Temp (CCT)	Distribution	Total Fixture Lumens (lm)	LPW (@ 4000K)	Bug Rating	MTO*
63286	AREAFLD5AS080UNHD840T3BZ	40/60/80	120-347V	0-10V	>80	4000K	TYPE III	5,600/8,400/11,200	140	B3U0G3	-
63287	AREAFLD5AS080UNHD840T4BZ	40/60/80	120-347V	0-10V	>80	4000K	TYPE IV	5,600/8,400/11,200	140	B3U0G3	MTO
63288	AREAFLD5AS080UNHD840T5BZ	40/60/80	120-347V	0-10V	>80	4000K	TYPE V	5,600/8,400/11,200	140	B3U0G2	MTO
63289	AREAFLD5AS150UNHD840T3BZ	90/120/150	120-347V	0-10V	>80	4000K	TYPE III	14,000/17,500/21,000	140	B3U0G3	-
63290	AREAFLD5AS150UNHD840T4BZ	90/120/150	120-347V	0-10V	>80	4000K	TYPE IV	14,000/17,500/21,000	140	B4U0G4	MTO
63291	AREAFLD5AS150UNHD840T5BZ	90/120/150	120-347V	0-10V	>80	4000K	TYPE V	14,000/17,500/21,000	140	B4U0G2	MTO
63292	AREAFLD5AS300UNHD840T3BZ	180/240/300	120-347V	0-10V	>80	4000K	TYPE III	28,000/35,000/40,500	140	B4U0G4	-
63293	AREAFLD5AS300UNHD840T4BZ	180/240/300	120-347V	0-10V	>80	4000K	TYPE IV	28,000/35,000/40,500	140	B5U0G5	MTO
63294	AREAFLD5AS300UNHD840T5BZ	180/240/300	120-347V	0-10V	>80	4000K	TYPE V	28,000/35,000/40,500	140	B5U0G3	-
63297	AREAFLD5AS080UNHD830T3BZ	40/60/80	120-347V	0-10V	>80	3000K	TYPE III	5,600/8,400/11,200	140	B3U0G3	PTO
63298	AREAFLD5AS080UNHD830T4BZ	40/60/80	120-347V	0-10V	>80	3000K	TYPE IV	5,600/8,400/11,200	140	B3U0G3	PTO
63299	AREAFLD5AS080UNHD830T5BZ	40/60/80	120-347V	0-10V	>80	3000K	TYPE V	5,600/8,400/11,200	140	B3U0G2	PTO
63300	AREAFLD5AS150UNHD830T3BZ	90/120/150	120-347V	0-10V	>80	3000K	TYPE III	14,000/17,500/21,000	140	B3U0G3	PTO
63301	AREAFLD5AS150UNHD830T4BZ	90/120/150	120-347V	0-10V	>80	3000K	TYPE IV	14,000/17,500/21,000	140	B4U0G4	PTO
63302	AREAFLD5AS150UNHD830T5BZ	90/120/150	120-347V	0-10V	>80	3000K	TYPE V	14,000/17,500/21,000	140	B4U0G2	PTO
63303	AREAFLD5AS300UNHD830T3BZ	180/240/300	120-347V	0-10V	>80	3000K	TYPE III	28,000/35,000/40,500	140	B4U0G4	PTO
63304	AREAFLD5AS300UNHD830T4BZ	180/240/300	120-347V	0-10V	>80	3000K	TYPE IV	28,000/35,000/40,500	140	B5U0G5	PTO
63305	AREAFLD5AS300UNHD830T5BZ	180/240/300	120-347V	0-10V	>80	3000K	TYPE V	28,000/35,000/40,500	140	B5U0G3	PTO
63306	AREAFLD5AS080UNHD850T3BZ	40/60/80	120-347V	0-10V	>80	5000K	TYPE III	5,600/8,400/11,200	140	B3U0G3	-
63307	AREAFLD5AS080UNHD850T4BZ	40/60/80	120-347V	0-10V	>80	5000K	TYPE IV	5,600/8,400/11,200	140	B3U0G3	MTO
63308	AREAFLD5AS080UNHD850T5BZ	40/60/80	120-347V	0-10V	>80	5000K	TYPE V	5,600/8,400/11,200	140	B3U0G2	MTO
63309	AREAFLD5AS150UNHD850T3BZ	90/120/150	120-347V	0-10V	>80	5000K	TYPE III	14,000/17,500/21,000	140	B3U0G3	-
63310	AREAFLD5AS150UNHD850T4BZ	90/120/150	120-347V	0-10V	>80	5000K	TYPE IV	14,000/17,500/21,000	140	B4U0G4	MTO
63311	AREAFLD5AS150UNHD850T5BZ	90/120/150	120-347V	0-10V	>80	5000K	TYPE V	14,000/17,500/21,000	140	B4U0G2	-
63312	AREAFLD5AS300UNHD850T3BZ	180/240/300	120-347V	0-10V	>80	5000K	TYPE III	28,000/35,000/40,500	140	B4U0G4	-
63313	AREAFLD5AS300UNHD850T4BZ	180/240/300	120-347V	0-10V	>80	5000K	TYPE IV	28,000/35,000/40,500	140	B5U0G5	-
63314	AREAFLD5AS300UNHD850T5BZ	180/240/300	120-347V	0-10V	>80	5000K	TYPE V	28,000/35,000/40,500	140	B5U0G3	-
63687	AREAFLD5AS080HUV830T3BZ	40/60/80	277-480V	0-10V	>80	3000K	TYPE III	5,600/8,400/11,200	140	B3U0G3	MTO
63688	AREAFLD5AS080HUV830T4BZ	40/60/80	277-480V	0-10V	>80	3000K	TYPE IV	5,600/8,400/11,200	140	B3U0G3	MTO
63689	AREAFLD5AS080HUV830T5BZ	40/60/80	277-480V	0-10V	>80	3000K	TYPE V	5,600/8,400/11,200	140	B3U0G2	MTO
63690	AREAFLD5AS080HUV840T3BZ	40/60/80	277-480V	0-10V	>80	4000K	TYPE III	5,600/8,400/11,200	140	B3U0G3	MTO
63691	AREAFLD5AS080HUV840T4BZ	40/60/80	277-480V	0-10V	>80	4000K	TYPE IV	5,600/8,400/11,200	140	B3U0G3	MTO
63692	AREAFLD5AS080HUV840T5BZ	40/60/80	277-480V	0-10V	>80	4000K	TYPE V	5,600/8,400/11,200	140	B3U0G2	MTO
63693	AREAFLD5AS080HUV850T3BZ	40/60/80	277-480V	0-10V	>80	5000K	TYPE III	5,600/8,400/11,200	140	B3U0G3	MTO
63694	AREAFLD5AS080HUV850T4BZ	40/60/80	277-480V	0-10V	>80	5000K	TYPE IV	5,600/8,400/11,200	140	B3U0G3	MTO
63695	AREAFLD5AS080HUV850T5BZ	40/60/80	277-480V	0-10V	>80	5000K	TYPE V	5,600/8,400/11,200	140	B3U0G2	MTO
63696	AREAFLD5AS150HUV830T3BZ	90/120/150	277-480V	0-10V	>80	3000K	TYPE III	14,000/17,500/21,000	140	B3U0G3	MTO
63697	AREAFLD5AS150HUV830T4BZ	90/120/150	277-480V	0-10V	>80	3000K	TYPE IV	14,000/17,500/21,000	140	B4U0G4	MTO
63698	AREAFLD5AS150HUV830T5BZ	90/120/150	277-480V	0-10V	>80	3000K	TYPE V	14,000/17,500/21,000	140	B4U0G2	MTO
63699	AREAFLD5AS150HUV840T3BZ	90/120/150	277-480V	0-10V	>80	4000K	TYPE III	14,000/17,500/21,000	140	B3U0G3	MTO
63700	AREAFLD5AS150HUV840T4BZ	90/120/150	277-480V	0-10V	>80	4000K	TYPE IV	14,000/17,500/21,000	140	B4U0G4	MTO
63701	AREAFLD5AS150HUV840T5BZ	90/120/150	277-480V	0-10V	>80	4000K	TYPE V	14,000/17,500/21,000	140	B4U0G2	MTO
63702	AREAFLD5AS150HUV850T3BZ	90/120/150	277-480V	0-10V	>80	5000K	TYPE III	14,000/17,500/21,000	140	B3U0G3	MTO
63703	AREAFLD5AS150HUV850T4BZ	90/120/150	277-480V	0-10V	>80	5000K	TYPE IV	14,000/17,500/21,000	140	B4U0G4	MTO
63704	AREAFLD5AS150HUV850T5BZ	90/120/150	277-480V	0-10V	>80	5000K	TYPE V	14,000/17,500/21,000	140	B4U0G2	MTO
63705	AREAFLD5AS300HUV830T3BZ	180/240/300	277-480V	0-10V	>80	3000K	TYPE III	28,000/35,000/40,500	140	B4U0G4	MTO
63706	AREAFLD5AS300HUV830T4BZ	180/240/300	277-480V	0-10V	>80	3000K	TYPE IV	28,000/35,000/40,500	140	B5U0G5	MTO
63707	AREAFLD5AS300HUV830T5BZ	180/240/300	277-480V	0-10V	>80	3000K	TYPE V	28,000/35,000/40,500	140	B5U0G3	MTO
63708	AREAFLD5AS300HUV840T3BZ	180/240/300	277-480V	0-10V	>80	4000K	TYPE III	28,000/35,000/40,500	140	B4U0G4	MTO
63709	AREAFLD5AS300HUV840T4BZ	180/240/300	277-480V	0-10V	>80	4000K	TYPE IV	28,000/35,000/40,500	140	B5U0G5	MTO
63710	AREAFLD5AS300HUV840T5BZ	180/240/300	277-480V	0-10V	>80	4000K	TYPE V	28,000/35,000/40,500	140	B5U0G3	MTO
63711	AREAFLD5AS300HUV850T3BZ	180/240/300	277-480V	0-10V	>80	5000K	TYPE III	28,000/35,000/40,500	140	B4U0G4	MTO
63712	AREAFLD5AS300HUV850T4BZ	180/240/300	277-480V	0-10V	>80	5000K	TYPE IV	28,000/35,000/40,500	140	B5U0G5	MTO
63713	AREAFLD5AS300HUV850T5BZ	180/240/300	277-480V	0-10V	>80	5000K	TYPE V	28,000/35,000/40,500	140	B5U0G3	MTO

*MTO = Made to Order | PTO = Purchase to Order

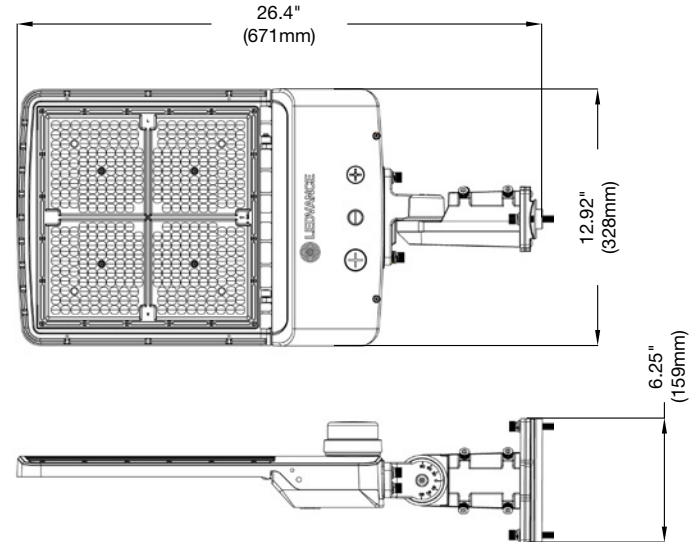
Physical Information

Luminaire Description	Length in (mm)	Width in (mm)	Height in (mm)	Weight lb (kg)	EPA
40/60/80W, 90/120/150W	23.25 (591)	10.26 (261)	6.25 (159)	7.9 (3.6)	0.524 ft²
180/240/300W	26.4 (671)	12.92 (328)	6.25 (159)	10.1 (4.6)	0.633 ft²

80W-150W

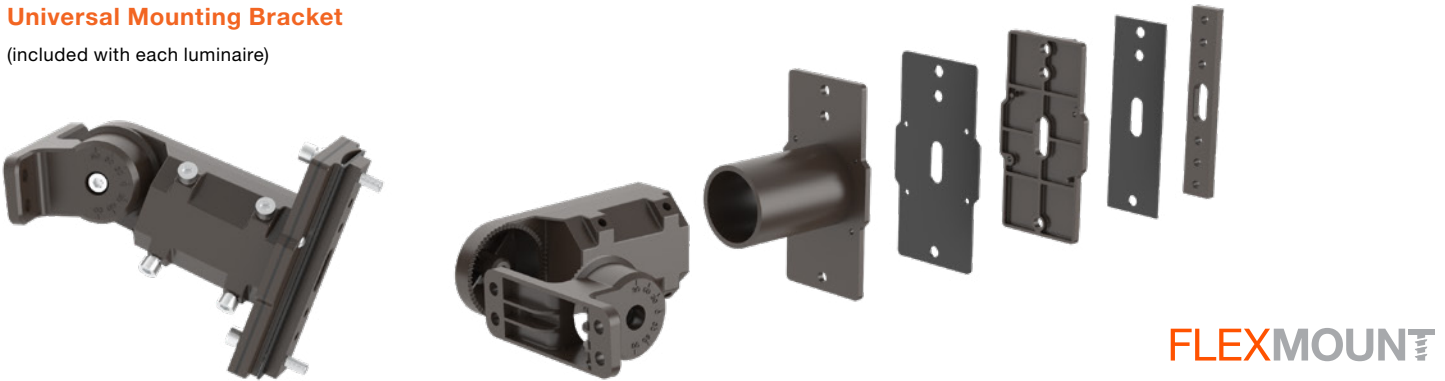


300W



Universal Mounting Bracket

(included with each luminaire)

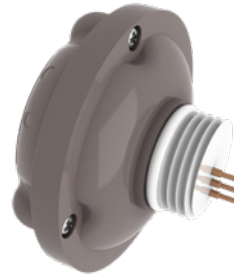


Accessories (sold separately)

NAED	Ordering Abbreviation	Description
Visors		
63679	AREAFLD5A/SMVISORFB/BZ	Small Visor, Front and Back, Bronze (for 80 and 150W)
63680	AREAFLD5A/SMVISORLR/BZ	Small Visor, Left and Right, Bronze (for 80 and 150W)
63681	AREAFLD5A/LRGVISORFB/BZ	Large Visor, Front and Back, Bronze (for 300W)
63682	AREAFLD5A/LRGVISORLR/BZ	Large Visor, Left and Right, Bronze (for 300W)
Sensors		
63748	AREA/PIRMOTIONDAYSENSOR/BZ	Field installable PIR DC Motion/Daylight Sensor, Bronze, IP65, Max. mounting height 39ft
65732	AREA/MWMOTIONDAYSENSOR/BZ	Field installable Microwave DC Motion/Daylight Sensor, IP65, Bronze, Max. mounting height 49ft
62664	HIGHBAYPIRMOTIONDAYSENSOR2	Field installable PIR DC Motion/Daylight Sensor, White, IP65, Max. mounting height 39ft
65622	HIGHBAYMOTIONDAYSENSOR	Field installable Microwave DC Motion/Daylight Sensor, IP65, White, Max. mounting height 49ft
65623	REMOTE/MOTIONDAY/001	Remote control for Motion/Daylight Sensors – Remote is required to change default settings
63652	SENSORADAPTER1A	Sensor adapter for LEDVANCE LINK sensors
62634	SENSORHB/PIRAUX12V/BLE	Bluetooth mesh wireless controller and sensor, LEDVANCE LINK
Photocells		
61393	AREAFLDXANEMAPHOTOCELLUNV	Area/Flood Nema Photocell 120-277V
61394	AREAFLDXANEMAPHOTOCELL347	Area/Flood Nema Photocell 347V
61395	AREAFLDXANEMAPHOTOCELL480	Area/Flood Nema Photocell 480V
LEDVANCE LINK accessories		
63652	SENSORADAPTER1A	Sensor adapter for LEDVANCE LINK sensors
62634	SENSORHB/PIRAUX12V/BLE	Bluetooth mesh wireless controller and sensor, LEDVANCE LINK
62630	ADAPTER/AUX12V/BLE	Bluetooth Mesh low voltage controller- BLE enabled fixture

Optional Motion/Daylight Sensor Default Settings

Detection Area	100%
Hold time – Time fixtures stays at 100% after last motion before dimming	10 minutes
Daylight threshold – Light level above which lights will remain off	50 Lux
Stand-by period – Time light remains dimmed before shutting off	60 minutes
Stand-by Dimming – dimming level of light during the stand-by period	30%



MOTION SENSOR

Bronze:
63748/65732

White:
62664/65662



REMOTE (65623)

Optional LEDVANCE LINK Accessories



BLUETOOTH MESH WIRELESS CONTROLLER & SENSOR, LEDVANCE LINK (62634)



SENSOR ADAPTER FOR LEDVANCE LINK SENSORS (63652)

Benefits and Features

- The LEDVANCE LINK Bluetooth Mesh Low Voltage components use Bluetooth technology for easy and secure wireless communication
- Enables regular LEDVANCE luminaires to become Bluetooth enabled and allows for luminaires to be turned on/off and dimmed (manual or auto)
- Components can be used up to 40ft height
- Control using either the LEDVANCE LINK smart phone app or the wireless wall switch

Sensor Information

Input voltage: 12V_{DC}
Bluetooth transmit line distance: 100ft
Detection range: 48-80ft
Rated current: 55mA
Dimming: 0-10V
Infrared sensor: Omni-directional quad element pyroelectric
Mounting height: 15-40ft
Detectable speed: 1~10 ft/sec (0.3~3 m/sec)
Operating temperature: -40°F~131°F (-40°C~55°C)
Operating humidity: IP66
Protocol: Bluetooth Mesh BLE Proprietary

Click or scan QR code for more information on LEDVANCE LINK



COMMISSIONING
GUIDE

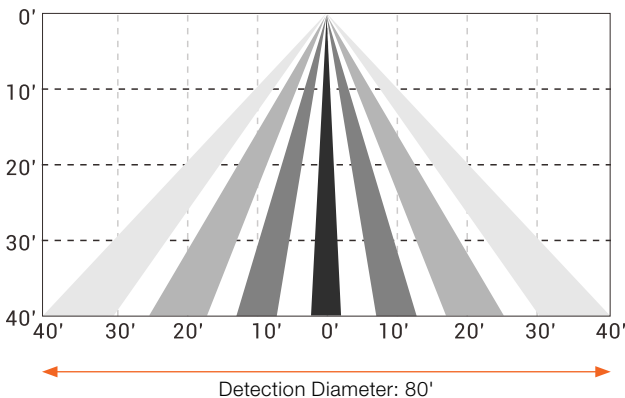
Click or scan QR code for more information on Motion/Daylight Sensor Remote



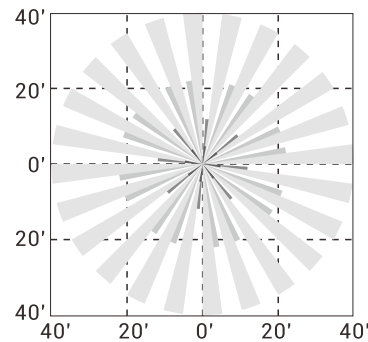
REMOTE

MOUNTING HEIGHT: UP TO 40'

Detection Coverage Side View

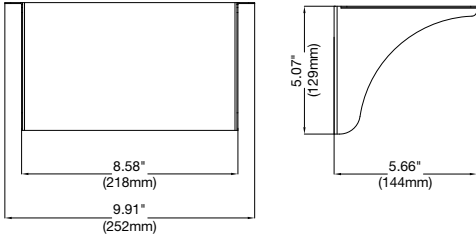


Detection Coverage Top View

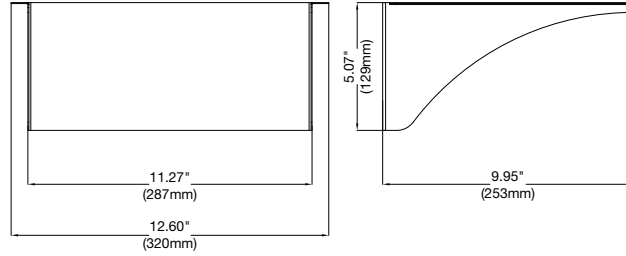


Visor Accessories: Physical information

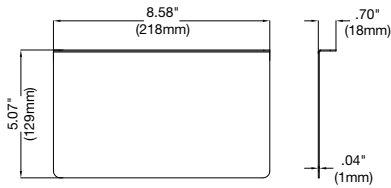
80W-150W FRONT AND BACK VISOR



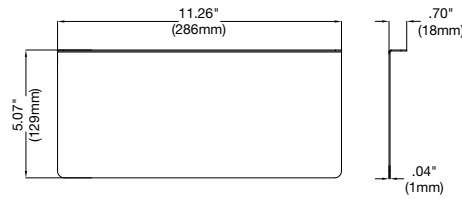
300W FRONT AND BACK VISOR



80W-150W LEFT AND RIGHT VISOR



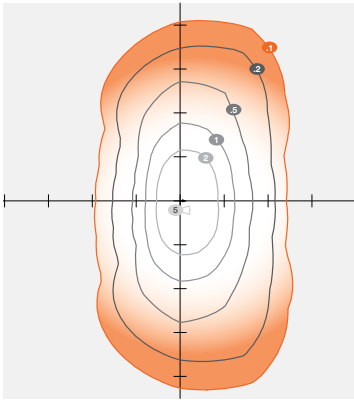
300W LEFT AND RIGHT VISOR



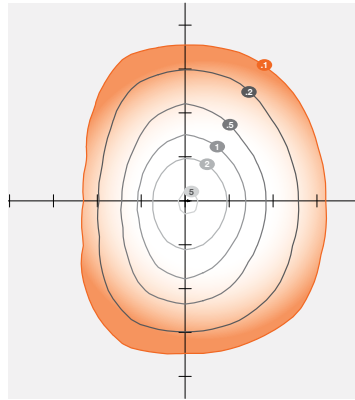
Photometric Information

Horizontal ISO foot-candle plot

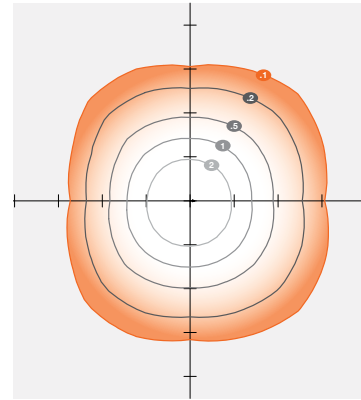
80W fixture, Type III distribution, at 20' mounting height



80W fixture, Type IV distribution, at 20' mounting height

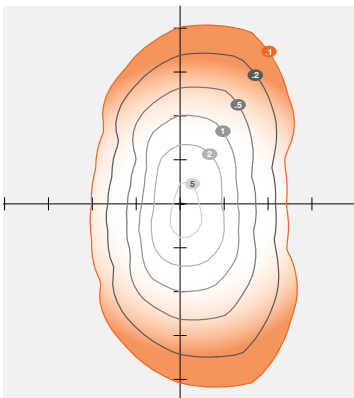


80W fixture, Type V distribution, at 20' mounting height

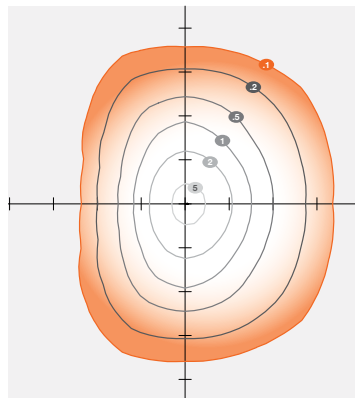


Mounting Height (ft)	15	18	20	22	25	30
Multiplier	1.78	1.23	1.00	0.83	0.64	0.44

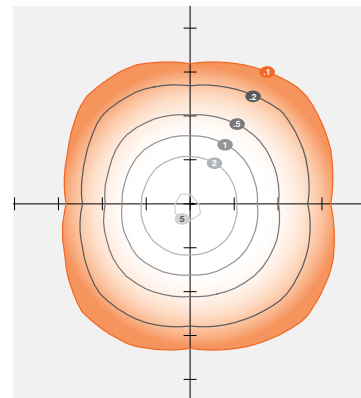
150W fixture, Type III distribution, at 25' mounting height



150W fixture, Type IV distribution, at 25' mounting height



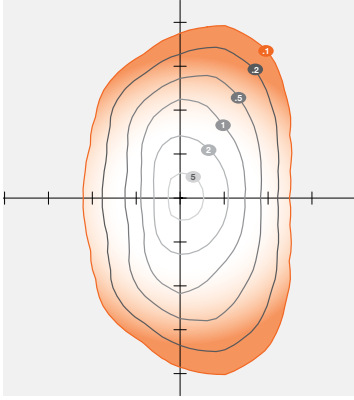
150W fixture, Type V distribution, at 25' mounting height



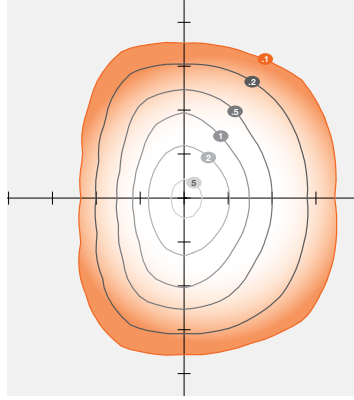
Mounting Height (ft)	15	20	22	25	30	35
Multiplier	2.78	1.56	1.29	1	0.69	0.51

Photometric Information Continued

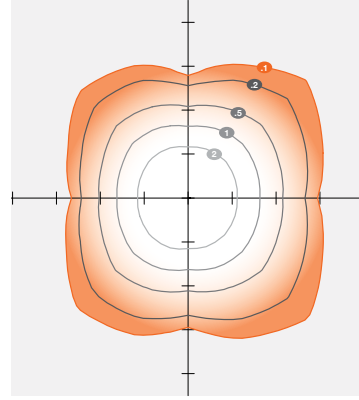
300W fixture, Type III distribution,
at 35' mounting height



300W fixture, Type IV distribution,
at 35' mounting height



300W fixture, Type V distribution,
at 35' mounting height



Mounting Height (ft)	20	25	30	35	40	45
Multiplier	3.06	1.96	1.36	1	0.77	0.60

LEDVANCE LLC
 181 Ballardvale Street, Suite 203
 Wilmington, MA 01887 USA
 Phone 1-800-LIGHTBULB (1-800-544-4828)
www.ledvanceUS.com

LEDVANCE is a registered trademark. The Bluetooth® word mark and logos are registered trademarks owned by the Bluetooth SIG, Inc. and any use of such marks by LEDVANCE LLC is under license. All other trademarks are those of their respective owners. Specifications subject to change without notice.



SCAN TO FOLLOW US
ON SOCIAL MEDIA

