

LEDVANCE Luminaires

LINEAR HIGH BAY 6A

VALUE CLASS

Application

The Linear High Bay 6A luminaires are environmentally preferable LED alternatives to traditional linear fluorescent and HID luminaires, offering up to 73% in energy savings. Ideal in place of traditional luminaires, or as new installations, the Linear High Bay 6A series is offered in a variety of wattages for use in warehouses, manufacturing facilities, big-box retail, and gymnasiums.

Benefits and Features

- Lightweight and easy to install
- A variety of mounting accessories and wire guards are available
- All fixtures ship with a pre-wired sensor base that is ready to accept an optional, field installable, screw-in motion/daylight sensor that installs in seconds
- Polycarbonate lens and powder coated body
- DLC 5.1 Premium listing optimizes rebate opportunities
- Up to 140 LPW
- 4000K and 5000K color temperatures
- CRI >80
- Offered in 85, 105, 130, 155, 210, 255, 300 watts
- Wide distribution
- Energy savings up to 73%
- Compatible with field installable Ledvance LINK™ components

Electrical

- 120-347V_{AC}
- Power Factor >0.9
- THD <20%
- Dimmable (0-10V) down to 10%
- 6kV Surge Suppression

Rated Life

- 100,000 hours (L₇₀)

Warranty

- 5-year
- NLB Trusted Warranty Program

Ambient Operating Range

- -40°F to +120°F (-40°C to +50°C)

Certifications and Listings

- cULus
- RoHS
- Suitable for damp location
- FCC
- DLC 5.1 Premium



Wattage Comparison

Traditional Source	Traditional System Wattage	LED System Wattage	Energy Savings
2x54W FL	87	85	2%
4-lamp 32T8	112	85	24%
4-lamp 32T8	112	105	7%
250W MH	290	105	64%
250W HPS	295	105	64%
4-lamp 54T5H0	220	130	41%
8-lamp 32T8	224	130	42%
250W MH	290	130	55%
250W HPS	295	130	56%
4-lamp 54T5H0	220	155	30%
8-lamp 32T8	224	155	31%
250W MH	290	155	47%
250W HPS	295	155	47%
320W MH	370	155	58%
6-lamp 54T5H0	350	210	40%
320W MH	370	210	43%
400W HPS	460	210	54%
400W MH	450	210	53%
8-lamp 54T5H0	480	255	47%
400W MH	450	255	43%
750W MH	820	255	69%
750W HPS	840	255	70%
8-lamp 54T5H0	480	300	38%
750W HPS	840	300	64%
1000W MH	1080	300	72%
1000W HPS	1100	300	73%

Installation

- V-hooks and 3-foot mounting chains included
- Indoor use

Mounting Accessories

- Optional surface mounting brackets, pendant mount, aircraft cable mounts, and wire guards are available
- Please see the Accessories section for further information
- Optional motion/daylight sensor can be field installed



LEDLUM181R2 9-23

Catalog #	Type
Project	
Comments	
Prepared by	

Ordering Guide

LNHIBA	6A	/	XXX	UNH	8	XX	/	XX	W	/	WH	/	X
Product Name	Generation		Wattage	Voltage	CRI	Color Temp		Dimensions	Distribution		Color/Finish		Options
LNHIBA = Linear High Bay	6A = Generation 6A		085 = 85W 105 = 105W 130 = 130W 155 = 155W 210 = 210W 255 = 255W 300 = 300W	UNH = 120-347	8 = >80	40 = 4000K 50 = 5000K		11 = 1'x1' 12 = 1'x2'	W = Wide distribution A = Aisle distribution		WH = White		- = No option E = Emergency Battery Back-Up L5=With 11-foot cord and L5-15P (125V) Plug L7=With 11-foot cord and L7-15P (277V) Plug 10C= With 10-foot cord

Ordering Information

Item Number	Ordering Abbreviation	Power (W)	Input Voltage (V)	Dimming	CRI	Color Temp	Distribution	Total Fixture Lumens (lm)	LPW	Size	DLC	Options	MTO*
63110	LNHIBA6A/085UNHD840/11W/WH	85	120-347	0-10V	>80	4000K	Wide	11,400	134	14.2x11.0	Prm	-	-
63124	LNHIBA6A/085UNHD840/11W/WH/E	85	120-347	0-10V	>80	4000K	Wide	11,400	134	14.2x11.0	Prm	Emergency Battery Back-up†	MTO
63529	LNHIBA6A/085UNHD840/11W/WH/L5	85	120-347	0-10V	>80	4000K	Wide	11,400	134	14.2x11.0	Prm	With 11-foot cord and L5-15P (125V) Plug	MTO
63515	LNHIBA6A/085UNHD840/11W/WH/L7	85	120-347	0-10V	>80	4000K	Wide	11,400	134	14.2x11.0	Prm	With 11-foot cord and L7-15P (277V) Plug	MTO
63501	LNHIBA6A/085UNHD840/11W/WH/10C	85	120-347	0-10V	>80	4000K	Wide	11,400	134	14.2x11.0	Prm	With 10-foot cord	MTO
63111	LNHIBA6A/085UNHD850/11W/WH	85	120-347	0-10V	>80	5000K	Wide	12,000	141	14.2x11.0	Prm	-	-
63125	LNHIBA6A/085UNHD850/11W/WH/E	85	120-347	0-10V	>80	5000K	Wide	12,000	141	14.2x11.0	Prm	Emergency Battery Back-up†	MTO
63530	LNHIBA6A/085UNHD850/11W/WH/L5	85	120-347	0-10V	>80	5000K	Wide	12,000	141	14.2x11.0	Prm	With 11-foot cord and L5-15P (125V) Plug	MTO
63516	LNHIBA6A/085UNHD850/11W/WH/L7	85	120-347	0-10V	>80	5000K	Wide	12,000	141	14.2x11.0	Prm	With 11-foot cord and L7-15P (277V) Plug	MTO
63502	LNHIBA6A/085UNHD850/11W/WH/10C	85	120-347	0-10V	>80	5000K	Wide	12,000	141	14.2x11.0	Prm	With 10-foot cord	MTO
63112	LNHIBA6A/105UNHD840/11W/WH	105	120-347	0-10V	>80	4000K	Wide	14,280	136	14.2x11.0	Prm	-	-
63126	LNHIBA6A/105UNHD840/11W/WH/E	105	120-347	0-10V	>80	4000K	Wide	14,280	136	14.2x11.0	Prm	Emergency Battery Back-up†	MTO
63531	LNHIBA6A/105UNHD840/11W/WH/L5	105	120-347	0-10V	>80	4000K	Wide	14,280	136	14.2x11.0	Prm	With 11-foot cord and L5-15P (125V) Plug	MTO
63517	LNHIBA6A/105UNHD840/11W/WH/L7	105	120-347	0-10V	>80	4000K	Wide	14,280	136	14.2x11.0	Prm	With 11-foot cord and L7-15P (277V) Plug	MTO
63503	LNHIBA6A/105UNHD840/11W/WH/10C	105	120-347	0-10V	>80	4000K	Wide	14,280	136	14.2x11.0	Prm	With 10-foot cord	MTO
63113	LNHIBA6A/105UNHD850/11W/WH	105	120-347	0-10V	>80	5000K	Wide	14,700	140	14.2x11.0	Prm	-	-
63127	LNHIBA6A/105UNHD850/11W/WH/E	105	120-347	0-10V	>80	5000K	Wide	14,700	140	14.2x11.0	Prm	Emergency Battery Back-up†	MTO
63532	LNHIBA6A/105UNHD850/11W/WH/L5	105	120-347	0-10V	>80	5000K	Wide	14,700	140	14.2x11.0	Prm	With 11-foot cord and L5-15P (125V) Plug	MTO
63518	LNHIBA6A/105UNHD850/11W/WH/L7	105	120-347	0-10V	>80	5000K	Wide	14,700	140	14.2x11.0	Prm	With 11-foot cord and L7-15P (277V) Plug	MTO
63504	LNHIBA6A/105UNHD850/11W/WH/10C	105	120-347	0-10V	>80	5000K	Wide	14,700	140	14.2x11.0	Prm	With 10-foot cord	MTO
63114	LNHIBA6A/130UNHD840/11W/WH	130	120-347	0-10V	>80	4000K	Wide	17,600	135	14.2x11.0	Prm	-	-
63128	LNHIBA6A/130UNHD840/11W/WH/E	130	120-347	0-10V	>80	4000K	Wide	17,600	135	14.2x11.0	Prm	Emergency Battery Back-up†	MTO
63533	LNHIBA6A/130UNHD840/11W/WH/L5	130	120-347	0-10V	>80	4000K	Wide	17,600	135	14.2x11.0	Prm	With 11-foot cord and L5-15P (125V) Plug	MTO
63519	LNHIBA6A/130UNHD840/11W/WH/L7	130	120-347	0-10V	>80	4000K	Wide	17,600	135	14.2x11.0	Prm	With 11-foot cord and L7-15P (277V) Plug	MTO
63505	LNHIBA6A/130UNHD840/11W/WH/10C	130	120-347	0-10V	>80	4000K	Wide	17,600	135	14.2x11.0	Prm	With 10-foot cord	MTO
63115	LNHIBA6A/130UNHD850/11W/WH	130	120-347	0-10V	>80	5000K	Wide	18,200	140	14.2x11.0	Prm	-	-
63129	LNHIBA6A/130UNHD850/11W/WH/E	130	120-347	0-10V	>80	5000K	Wide	18,200	140	14.2x11.0	Prm	Emergency Battery Back-up†	MTO

Ordering Information (Continued)

Item Number	Ordering Abbreviation	Power (W)	Input Voltage (V)	Dimming	CRI	Color Temp	Distribution	Total Fixture Lumens (lm)	LPW	Size	DLC	Options	MTO*
63534	LNHIBA6A/130UNHD850/11W/WH/L5	130	120-347	0-10V	>80	5000K	Wide	18,200	140	14.2x11.0	Prm	With 11-foot cord and L5-15P (125V) Plug	MTO
63520	LNHIBA6A/130UNHD850/11W/WH/L7	130	120-347	0-10V	>80	5000K	Wide	18,200	140	14.2x11.0	Prm	With 11-foot cord and L7-15P (277V) Plug	MTO
63506	LNHIBA6A/130UNHD850/11W/WH/10C	130	120-347	0-10V	>80	5000K	Wide	18,200	140	14.2x11.0	Prm	With 10-foot cord	MTO
63116	LNHIBA6A/155UNHD840/12W/WH	155	120-347	0-10V	>80	4000K	Wide	21,080	136	18.1x11.8	Prm	–	–
63130	LNHIBA6A/155UNHD840/12W/WH/E	155	120-347	0-10V	>80	4000K	Wide	21,080	136	18.1x11.8	Prm	Emergency Battery Back-up†	MTO
63535	LNHIBA6A/155UNHD840/12W/WH/L5	155	120-347	0-10V	>80	4000K	Wide	21,080	136	18.1x11.8	Prm	With 11-foot cord and L5-15P (125V) Plug	MTO
63521	LNHIBA6A/155UNHD840/12W/WH/L7	155	120-347	0-10V	>80	4000K	Wide	21,080	136	18.1x11.8	Prm	With 11-foot cord and L7-15P (277V) Plug	MTO
63507	LNHIBA6A/155UNHD840/12W/WH/10C	155	120-347	0-10V	>80	4000K	Wide	21,080	136	18.1x11.8	Prm	With 10-foot cord	MTO
63117	LNHIBA6A/155UNHD850/12W/WH	155	120-347	0-10V	>80	5000K	Wide	21,700	140	18.1x11.8	Prm	–	–
63131	LNHIBA6A/155UNHD850/12W/WH/E	155	120-347	0-10V	>80	5000K	Wide	21,700	140	18.1x11.8	Prm	Emergency Battery Back-up†	MTO
63536	LNHIBA6A/155UNHD850/12W/WH/L5	155	120-347	0-10V	>80	5000K	Wide	21,700	140	18.1x11.8	Prm	With 11-foot cord and L5-15P (125V) Plug	MTO
63522	LNHIBA6A/155UNHD850/12W/WH/L7	155	120-347	0-10V	>80	5000K	Wide	21,700	140	18.1x11.8	Prm	With 11-foot cord and L7-15P (277V) Plug	MTO
63508	LNHIBA6A/155UNHD850/12W/WH/10C	155	120-347	0-10V	>80	5000K	Wide	21,700	140	18.1x11.8	Prm	With 10-foot cord	MTO
63118	LNHIBA6A/210UNHD840/12W/WH	210	120-347	0-10V	>80	4000K	Wide	28,560	136	18.1x11.8	Prm	–	–
63132	LNHIBA6A/210UNHD840/12W/WH/E	210	120-347	0-10V	>80	4000K	Wide	28,560	136	18.1x11.8	Prm	Emergency Battery Back-up†	MTO
63537	LNHIBA6A/210UNHD840/12W/WH/L5	210	120-347	0-10V	>80	4000K	Wide	28,560	136	18.1x11.8	Prm	With 11-foot cord and L5-15P (125V) Plug	MTO
63523	LNHIBA6A/210UNHD840/12W/WH/L7	210	120-347	0-10V	>80	4000K	Wide	28,560	136	18.1x11.8	Prm	With 11-foot cord and L7-15P (277V) Plug	MTO
63509	LNHIBA6A/210UNHD840/12W/WH/10C	210	120-347	0-10V	>80	4000K	Wide	28,560	136	18.1x11.8	Prm	With 10-foot cord	MTO
63119	LNHIBA6A/210UNHD850/12W/WH	210	120-347	0-10V	>80	5000K	Wide	29,400	140	18.1x11.8	Prm	–	–
63133	LNHIBA6A/210UNHD850/12W/WH/E	210	120-347	0-10V	>80	5000K	Wide	29,400	140	18.1x11.8	Prm	Emergency Battery Back-up†	MTO
63538	LNHIBA6A/210UNHD850/12W/WH/L5	210	120-347	0-10V	>80	5000K	Wide	29,400	140	18.1x11.8	Prm	With 11-foot cord and L5-15P (125V) Plug	MTO
63524	LNHIBA6A/210UNHD850/12W/WH/L7	210	120-347	0-10V	>80	5000K	Wide	29,400	140	18.1x11.8	Prm	With 11-foot cord and L7-15P (277V) Plug	MTO
63510	LNHIBA6A/210UNHD850/12W/WH/10C	210	120-347	0-10V	>80	5000K	Wide	29,400	140	18.1x11.8	Prm	With 10-foot cord	MTO
63120	LNHIBA6A/255UNHD840/12W/WH	255	120-347	0-10V	>80	4000K	Wide	34,680	136	23.0x12.6	Prm	–	–
63134	LNHIBA6A/255UNHD840/12W/WH/E	255	120-347	0-10V	>80	4000K	Wide	34,680	136	23.0x12.6	Prm	Emergency Battery Back-up†	MTO
63539	LNHIBA6A/255UNHD840/12W/WH/L5	255	120-347	0-10V	>80	4000K	Wide	34,680	136	23.0x12.6	Prm	With 11-foot cord and L5-15P (125V) Plug	MTO
63525	LNHIBA6A/255UNHD840/12W/WH/L7	255	120-347	0-10V	>80	4000K	Wide	34,680	136	23.0x12.6	Prm	With 11-foot cord and L7-15P (277V) Plug	MTO
63511	LNHIBA6A/255UNHD840/12W/WH/10C	255	120-347	0-10V	>80	4000K	Wide	34,680	136	23.0x12.6	Prm	With 10-foot cord	MTO
63121	LNHIBA6A/255UNHD850/12W/WH	255	120-347	0-10V	>80	5000K	Wide	35,700	140	23.0x12.6	Prm	–	–
63135	LNHIBA6A/255UNHD850/12W/WH/E	255	120-347	0-10V	>80	5000K	Wide	35,700	140	23.0x12.6	Prm	Emergency Battery Back-up†	MTO
63540	LNHIBA6A/255UNHD850/12W/WH/L5	255	120-347	0-10V	>80	5000K	Wide	35,700	140	23.0x12.6	Prm	With 11-foot cord and L5-15P (125V) Plug	MTO
63526	LNHIBA6A/255UNHD850/12W/WH/L7	255	120-347	0-10V	>80	5000K	Wide	35,700	140	23.0x12.6	Prm	With 11-foot cord and L7-15P (277V) Plug	MTO
63512	LNHIBA6A/255UNHD850/12W/WH/10C	255	120-347	0-10V	>80	5000K	Wide	35,700	140	23.0x12.6	Prm	With 10-foot cord	MTO
63122	LNHIBA6A/300UNHD840/12W/WH	300	120-347	0-10V	>80	4000K	Wide	40,800	136	23.0x12.6	Prm	–	–
63136	LNHIBA6A/300UNHD840/12W/WH/E	300	120-347	0-10V	>80	4000K	Wide	40,800	136	23.0x12.6	Prm	Emergency Battery Back-up†	MTO
63541	LNHIBA6A/300UNHD840/12W/WH/L5	300	120-347	0-10V	>80	4000K	Wide	40,800	136	23.0x12.6	Prm	With 11-foot cord and L5-15P (125V) Plug	MTO

Ordering Information (Continued)

Item Number	Ordering Abbreviation	Power (W)	Input Voltage (V)	Dimming	CRI	Color Temp	Distribution	Total Fixture		Size	DLC	Options	MTO*
								Lumens (lm)	LPW				
63527	LNHIBA6A/300UNHD840/12W/WH/L7	300	120-347	0-10V	>80	4000K	Wide	40,800	136	23.0x12.6	Prm	With 11-foot cord and L7-15P (277V) Plug	MTO
63513	LNHIBA6A/300UNHD840/12W/WH/10C	300	120-347	0-10V	>80	4000K	Wide	40,800	136	23.0x12.6	Prm	With 10-foot cord	MTO
63123	LNHIBA6A/300UNHD850/12W/WH	300	120-347	0-10V	>80	5000K	Wide	42,000	140	23.0x12.6	Prm	–	–
63137	LNHIBA6A/300UNHD850/12W/WH/E	300	120-347	0-10V	>80	5000K	Wide	42,000	140	23.0x12.6	Prm	Emergency Battery Back-up†	MTO
63542	LNHIBA6A/300UNHD850/12W/WH/L5	300	120-347	0-10V	>80	5000K	Wide	42,000	140	23.0x12.6	Prm	With 11-foot cord and L5-15P (125V) Plug	MTO
63528	LNHIBA6A/300UNHD850/12W/WH/L7	300	120-347	0-10V	>80	5000K	Wide	42,000	140	23.0x12.6	Prm	With 11-foot cord and L7-15P (277V) Plug	MTO
63514	LNHIBA6A/300UNHD850/12W/WH/10C	300	120-347	0-10V	>80	5000K	Wide	42,000	140	23.0x12.6	Prm	With 10-foot cord	MTO

Aisle Distribution

63626	LNHIBA6A/085UNHD840/11A/WH	85	120-347	0-10V	>80	4000K	Aisle	11,400	134	14.2x11.0	Pending	–	–
63749	LNHIBA6A/085UNHD840/11A/WH/E	85	120-347	0-10V	>80	4000K	Aisle	11,400	134	14.2x11.0	Pending	Emergency Battery Back-up†	MTO
63627	LNHIBA6A/085UNHD850/11A/WH	85	120-347	0-10V	>80	5000K	Aisle	12,000	141	14.2x11.0	Pending	–	–
63750	LNHIBA6A/085UNHD850/11A/WH/E	85	120-347	0-10V	>80	5000K	Aisle	12,000	141	14.2x11.0	Pending	Emergency Battery Back-up†	MTO
63628	LNHIBA6A/105UNHD840/11A/WH	105	120-347	0-10V	>80	4000K	Aisle	14,280	136	14.2x11.0	Pending	–	–
63751	LNHIBA6A/105UNHD840/11A/WH/E	105	120-347	0-10V	>80	4000K	Aisle	14,280	136	14.2x11.0	Pending	Emergency Battery Back-up†	MTO
63629	LNHIBA6A/105UNHD850/11A/WH	105	120-347	0-10V	>80	5000K	Aisle	14,700	140	14.2x11.0	Pending	–	–
63752	LNHIBA6A/105UNHD850/11A/WH/E	105	120-347	0-10V	>80	5000K	Aisle	14,700	140	14.2x11.0	Pending	Emergency Battery Back-up†	MTO
63630	LNHIBA6A/130UNHD840/11A/WH	130	120-347	0-10V	>80	4000K	Aisle	17,600	135	14.2x11.0	Pending	–	–
63753	LNHIBA6A/130UNHD840/11A/WH/E	130	120-347	0-10V	>80	4000K	Aisle	17,600	135	14.2x11.0	Pending	Emergency Battery Back-up†	MTO
63631	LNHIBA6A/130UNHD850/11A/WH	130	120-347	0-10V	>80	5000K	Aisle	18,200	140	14.2x11.0	Pending	–	–
63754	LNHIBA6A/130UNHD850/11A/WH/E	130	120-347	0-10V	>80	5000K	Aisle	18,200	140	14.2x11.0	Pending	Emergency Battery Back-up†	MTO
63632	LNHIBA6A/155UNHD840/12A/WH	155	120-347	0-10V	>80	4000K	Aisle	21,080	136	18.1x11.8	Pending	–	–
63755	LNHIBA6A/155UNHD840/12A/WH/E	155	120-347	0-10V	>80	4000K	Aisle	21,080	136	18.1x11.8	Pending	Emergency Battery Back-up†	MTO
63633	LNHIBA6A/155UNHD850/12A/WH	155	120-347	0-10V	>80	5000K	Aisle	21,700	140	18.1x11.8	Pending	–	–
63756	LNHIBA6A/155UNHD850/12A/WH/E	155	120-347	0-10V	>80	5000K	Aisle	21,700	140	18.1x11.8	Pending	Emergency Battery Back-up†	MTO
63634	LNHIBA6A/210UNHD840/12A/WH	210	120-347	0-10V	>80	4000K	Aisle	28,560	136	18.1x11.8	Pending	–	–
63757	LNHIBA6A/210UNHD840/12A/WH/E	210	120-347	0-10V	>80	4000K	Aisle	28,560	136	18.1x11.8	Pending	Emergency Battery Back-up†	MTO
63635	LNHIBA6A/210UNHD850/12A/WH	210	120-347	0-10V	>80	5000K	Aisle	29,400	140	18.1x11.8	Pending	–	–
63758	LNHIBA6A/210UNHD850/12A/WH/E	210	120-347	0-10V	>80	5000K	Aisle	29,400	140	18.1x11.8	Pending	Emergency Battery Back-up†	MTO
63636	LNHIBA6A/255UNHD840/12A/WH	255	120-347	0-10V	>80	4000K	Aisle	34,680	136	23.0x12.6	Pending	–	–
63759	LNHIBA6A/255UNHD840/12A/WH/E	255	120-347	0-10V	>80	4000K	Aisle	34,680	136	23.0x12.6	Pending	Emergency Battery Back-up†	MTO
63637	LNHIBA6A/255UNHD850/12A/WH	255	120-347	0-10V	>80	5000K	Aisle	35,700	140	23.0x12.6	Pending	–	–
63760	LNHIBA6A/255UNHD850/12A/WH/E	255	120-347	0-10V	>80	5000K	Aisle	35,700	140	23.0x12.6	Pending	Emergency Battery Back-up†	MTO
63638	LNHIBA6A/300UNHD840/12A/WH	300	120-347	0-10V	>80	4000K	Aisle	40,800	136	23.0x12.6	Pending	–	–
63761	LNHIBA6A/300UNHD840/12A/WH/E	300	120-347	0-10V	>80	4000K	Aisle	40,800	136	23.0x12.6	Pending	Emergency Battery Back-up†	MTO
63639	LNHIBA6A/300UNHD850/12A/WH	300	120-347	0-10V	>80	5000K	Aisle	42,000	140	23.0x12.6	Pending	–	–
63762	LNHIBA6A/300UNHD850/12A/WH/E	300	120-347	0-10V	>80	5000K	Aisle	42,000	140	23.0x12.6	Pending	Emergency Battery Back-up†	MTO

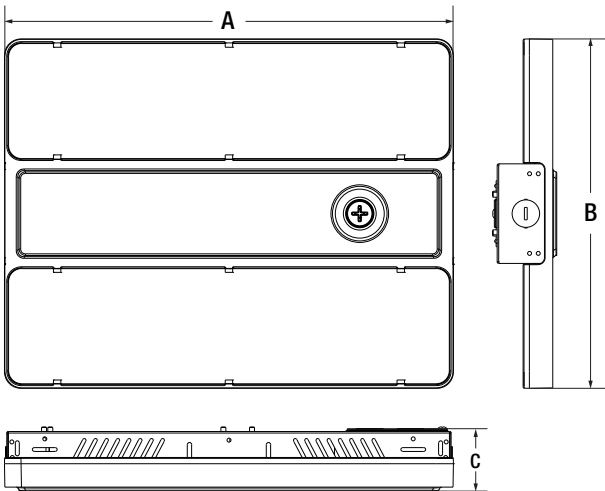
*Made To Order

†Emergency battery back-up provides 2000 lumens for 90 minutes.

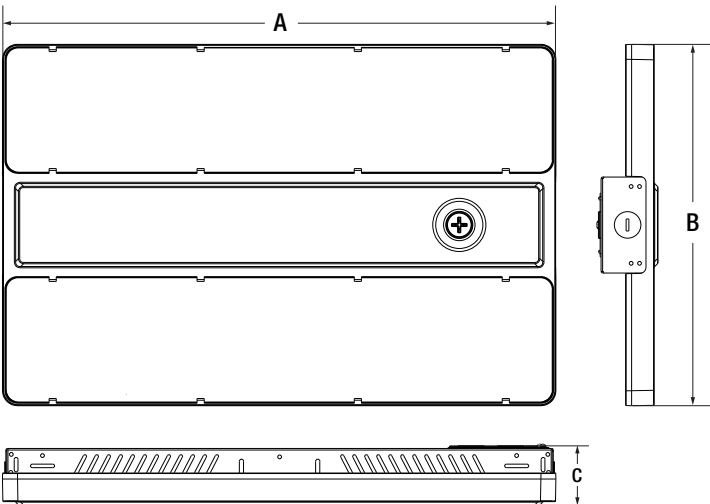
Physical Information

Luminaire Description	(A) Length in (mm)	(B) Width in (mm)	(C) Height in (mm)
1ft 85W – 130W	14.2 (360)	11 (280)	2 (51)
2ft 155W – 210W	18.1 (460)	11.8 (300)	2 (51)
2ft 255W – 300W	23 (585)	12.6 (320)	2 (51)

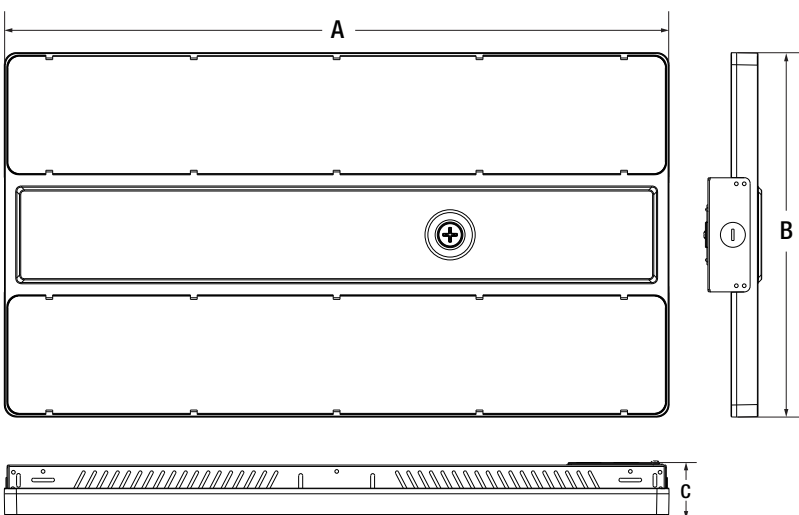
85-130W



155-210W



255-300W



Accessories

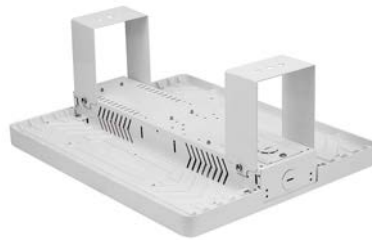
Item Number	Ordering Abbreviation	Item Description
63064	LNHIBA6A/WG01/WH	Wire Guard for Linear High Bay 6A – fits 85W through 130W, white
63065	LNHIBA6A/WG02/WH	Wire Guard for Linear High Bay 6A – fits 155W and 210W, white
63066	LNHIBA6A/WG03/WH	Wire Guard for Linear High Bay 6A – fits 255W and 300W, white
63067	LNHIBA6A/SURFMTGBRACKET01/WH	Surface mount Brackets for Linear High Bay 6A, fits 85W through 210W, white, two brackets included per SKU for mounting one fixture (cannot be used with EMBB driver)
63068	LNHIBA6A/SURFMTGBRACKET02/WH	Surface mount Brackets for Linear High Bay 6A, fits 255W and 300W, white, two brackets included per SKU for mounting one fixture (cannot be used with EMBB driver)
63069	LNHIBA6A/PENDMTGBRACKET01/WH	Pendant mount Bracket for Linear High Bay 6A, fits 85W through 210W, white, one bracket included per SKU for mounting one fixture, fits 1/2" or 3/4" conduit (cannot be used with EMBB driver)
63070	LNHIBA6A/PENDMTGBRACKET02/WH	Pendant mount Bracket for Linear High Bay 6A, fits 255W and 300W, white, one bracket included per SKU for mounting one fixture, fits 1/2" or 3/4" conduit (cannot be used with EMBB driver)
60573	LNHIBA2A/CHAINMT	Chain Mount (5 foot) – 2 per SKU (for mounting 1 fixture)
60574	LNHIBA2A/ACCABLEMT	Cable Mount (5 foot) – 2 per SKU (for mounting 1 fixture)
65622	HIGHBAY/MOTIONDAYSENSOR	Field installable microwave Motion/Daylight sensor, Max. mounting height of 49ft.*
62664	HIGHBAY/PIR/MOTIONDAYSENSOR2	Field installable PIR DC Motion/Daylight Sensor, IP65, Max. mounting height 39 ft.*
65623	REMOTE/MOTIONDAY/001	Remote control for Motion/Daylight Sensors (65622 and 62664) – Remote is required to change default settings

*The default settings can only be changed using the optional remote 65623.

Wire Guard
63064/63065/63066



Surface Mount Bracket
63067/63068



Pendant Mount Bracket
63069/63070



Chain Mount
60573



Sensor
65622/62664



Sensor Remote
65623



See page 6 for optional Ledvance LINK Accessories

Optional Motion/Daylight Sensor Default Settings (65622 and 62664)*

Detection area	100%
Hold time – Time fixture stays at 100% after last motion before dimming	10 Minutes
Daylight threshold – light level above which light will remain off	50 Lux
Stand-by period – Time light remains dimmed before shutting off	60 Minutes
Stand-by dimming – Dimming level of light during stand-by period	30%

*The default settings can only be changed using the optional remote 65623.

Accessory Compatibility Information

Item Number	Ordering Abbreviation	Power (W)	Input Voltage (V)	Surface Mount	Pendant Mount	Wire Guard
63110	LNHIBA6A/085UNHD840/11W/WH	85	120-347	63067	63069	63064
63111	LNHIBA6A/085UNHD850/11W/WH	85	120-347	63067	63069	63064
63112	LNHIBA6A/105UNHD840/11W/WH	105	120-347	63067	63069	63064
63113	LNHIBA6A/105UNHD850/11W/WH	105	120-347	63067	63069	63064
63114	LNHIBA6A/130UNHD840/11W/WH	130	120-347	63067	63069	63064
63115	LNHIBA6A/130UNHD850/11W/WH	130	120-347	63067	63069	63064
63116	LNHIBA6A/155UNHD840/12W/WH	155	120-347	63067	63069	63065
63117	LNHIBA6A/155UNHD850/12W/WH	155	120-347	63067	63069	63065
63118	LNHIBA6A/210UNHD840/12W/WH	210	120-347	63067	63069	63065
63119	LNHIBA6A/210UNHD850/12W/WH	210	120-347	63067	63069	63065
63120	LNHIBA6A/255UNHD840/12W/WH	255	120-347	63068	63070	63066
63121	LNHIBA6A/255UNHD850/12W/WH	255	120-347	63068	63070	63066
63122	LNHIBA6A/300UNHD840/12W/WH	300	120-347	63068	63070	63066
63123	LNHIBA6A/300UNHD850/12W/WH	300	120-347	63068	63070	63066
63124	LNHIBA6A/085UNHD840/11W/WH/E	85	120-347	N/A	N/A	63064
63125	LNHIBA6A/085UNHD850/11W/WH/E	85	120-347	N/A	N/A	63064
63126	LNHIBA6A/105UNHD840/11W/WH/E	105	120-347	N/A	N/A	63064
63127	LNHIBA6A/105UNHD850/11W/WH/E	105	120-347	N/A	N/A	63064
63128	LNHIBA6A/130UNHD840/11W/WH/E	130	120-347	N/A	N/A	63064
63129	LNHIBA6A/130UNHD850/11W/WH/E	130	120-347	N/A	N/A	63064
63130	LNHIBA6A/155UNHD840/12W/WH/E	155	120-347	N/A	N/A	63065
63131	LNHIBA6A/155UNHD850/12W/WH/E	155	120-347	N/A	N/A	63065
63132	LNHIBA6A/210UNHD840/12W/WH/E	210	120-347	N/A	N/A	63065
63133	LNHIBA6A/210UNHD850/12W/WH/E	210	120-347	N/A	N/A	63065
63134	LNHIBA6A/255UNHD840/12W/WH/E	255	120-347	N/A	N/A	63066
63135	LNHIBA6A/255UNHD850/12W/WH/E	255	120-347	N/A	N/A	63066
63136	LNHIBA6A/300UNHD840/12W/WH/E	300	120-347	N/A	N/A	63066
63137	LNHIBA6A/300UNHD850/12W/WH/E	300	120-347	N/A	N/A	63066

Optional LEDVANCE LINK™ Accessories

Field Installable components compatible with LINEAR HIGH BAY 6A



Benefits and Features

- The LEDVANCE LINK Bluetooth® Mesh Low Voltage components use Bluetooth technology for easy and secure wireless communication
- Enables regular LEDVANCE luminaires to become Bluetooth enabled and allows for luminaires to be turned on/off and dimmed (manual or auto)
- The LEDVANCE LINK Controller (62630) and Sensor (62634) require the simple adapter (63652) to screw into the Linear High Bay 6A
- Components can be used up to 40ft height
- Control using either the LEDVANCE LINK smart phone app or the wireless wall switch

Ordering Information

Item Number	Ordering Abbreviation	Description
63652	SENSORADAPTOR1A	Sensor adapter for integration of LEDVANCE LINK 3.5mm components to 3-pin sensor sockets
62630*	ADAPTER/AUX12V/BLE	Bluetooth Mesh low voltage controller – BLE enables fixture
62634*	SENSORHB/PIRAUX12V/BLE	Bluetooth Mesh low voltage sensor & controller Bluetooth – BLE enabled daylight/motion sensor
62636	WALLSWITCH5KEYBLE	Bluetooth Mesh Low Voltage 5 Button Switch

*Requires BLE adaptor 63652

Click or scan QR code for more information on LEDVANCE LINK



COMMISSIONING GUIDE



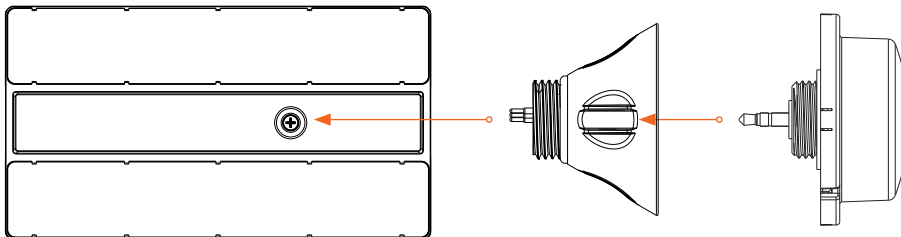
62630



62634



Physical Information



LEDVANCE LLC
 181 Ballardvale Street, Suite 203
 Wilmington, MA 01887 USA
 Phone 1-800-LIGHTBULB (1-800-544-4828)
 www.ledvanceUS.com

LEDVANCE is a registered trademark. The Bluetooth® word mark and logos are registered trademarks owned by the Bluetooth SIG, Inc. and any use of such marks by LEDVANCE LLC is under license. All other trademarks are those of their respective owners. Specifications subject to change without notice.



SCAN TO FOLLOW US ON SOCIAL MEDIA

