

LEDVANCE Luminaires

DUAL SELECTABLE POST TOP LUMINAIRE

PERFORMANCE CLASS

Application

Offering a modern aesthetic and dual selectability, this luminaire boasts four distribution options. Each model offers three wattage and CCT choices enabled via the switches on the top of the luminaire. Reducing light pollution without sacrificing security in both urban and natural outdoor applications, this luminaire offers substantial energy savings when compared to traditional technologies.

Benefits and Features

- Durable, long lasting product with IK08 rated, UV stabilized polycarbonate lens and IP65 rated housing
 - Bronze finish (RAL # 8019) standard, additional finishes are available
- DLC 5.1 Standard listing ensures maximum rebate opportunities
- Optional photocell offers additional energy savings
- Up to 105 LPW
- 3000K, 4000K and 5000K selectable color temperature
- CRI >70
- Offered in 40/50/60W, 70/80/90W, and 100/120/155W to maximize flexibility
 - Offered in Type II, III, IV and V distributions
- Energy savings up to 71%

Electrical

- 120-347V_{AC}
- Power Factor >90%
- THD <20%
- 10kV surge suppression
- 0-10V dimmable

Rated Life

- 130,000 hours (L₇₀)

Warranty

- 5-year
- NLB Trusted Warranty Program

Ambient Operating Range

- -40°F to +102°F (-40°C to +40°C)



Wattage Comparison

Traditional Source	Traditional System Wattage	LED System Wattage	Energy Savings
70W HPS	91	40	56%
100W HPS	120	40	67%
100W MH	130	40	69%
150W HPS	170	40	76%
150W MH	188	40	79%
150W HPS	170	60	65%
150W MH	188	60	68%
175W MH	210	60	71%
150W HPS	170	90	47%
150W MH	188	90	52%
175W MH	210	90	57%
250W MH	290	90	69%
250W HPS	295	90	69%
250W MH	290	155	48%
250W HPS	295	155	49%
320W MH	370	155	59%
400W HPS	460	155	67%
400W MH	450	155	67%

Certifications and Listings

- cULus wet located rated
- IP65
- RoHS
- DLC 5.1 Standard
- FCC

Installation

- Compatible with round poles with a standard diameter of 3" and, with the durable vibration-resistant pole sleeve adaptor, round poles with a standard diameter of 2-3/8"



Catalog #	Type
Project	
Comments	
Prepared by	

Ordering Guide

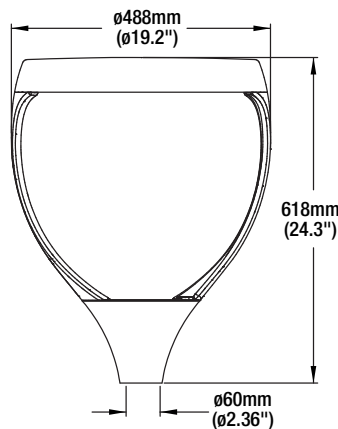
POSTTOP	1A	/ SXXX	UNH	D	7	SC2	/ T5	/ BZ
Product Name	Generation	Selectable Wattage	Voltage	Dimming	CRI	Color Temp	Distribution	Color/Finish
POSTTOP = Post Top Luminaire	1A= Generation 1A	S060 = 40, 50 or 60W S090 = 70, 80 or 90W S155 = 100, 120 or 155W	UNH = 120-347V	D = 0-10V	7 = >70	SC2 = 3000, 4000 or 5000K	T2 = NEMA Distribution Type II T3 = NEMA Distribution Type III T4 = NEMA Distribution Type IV T5 = NEMA Distribution Type V	BZ = Bronze Finish

Ordering Information

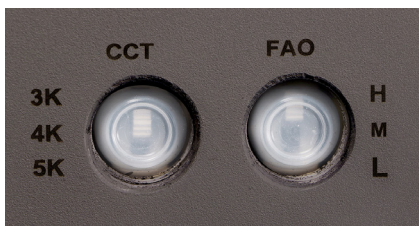
Item Number	Ordering Abbreviation	Wattage (W)	Input Voltage (V)	Dimming	CRI	Color Temp (CCT)	Distribution	Total Fixture Lumens	LPW	DLC
62584	POSTTOP1AS060UNHD7SC2T5BZ	40/50/60	120-347	0-10V	>70	3000K/4000K/5000K	Type V	Up to 6300	Up to 105	5.1 Std
62587	POSTTOP1AS060UNHD7SC2T3BZ	40/50/60	120-347	0-10V	>70	3000K/4000K/5000K	Type III	Up to 6300	Up to 105	5.1 Std
62620	POSTTOP1AS060UNHD7SC2T2BZ	40/50/60	120-347	0-10V	>70	3000K/4000K/5000K	Type II	Up to 6300	Up to 105	5.1 Std
62623	POSTTOP1AS060UNHD7SC2T4BZ	40/50/60	120-347	0-10V	>70	3000K/4000K/5000K	Type IV	Up to 6300	Up to 105	5.1 Std
62585	POSTTOP1AS090UNHD7SC2T5BZ	70/80/90	120-347	0-10V	>70	3000K/4000K/5000K	Type V	Up to 9450	Up to 105	5.1 Std
62588	POSTTOP1AS090UNHD7SC2T3BZ	70/80/90	120-347	0-10V	>70	3000K/4000K/5000K	Type III	Up to 9450	Up to 105	5.1 Std
62621	POSTTOP1AS090UNHD7SC2T2BZ	70/80/90	120-347	0-10V	>70	3000K/4000K/5000K	Type II	Up to 9450	Up to 105	5.1 Std
62624	POSTTOP1AS090UNHD7SC2T4BZ	70/80/90	120-347	0-10V	>70	3000K/4000K/5000K	Type IV	Up to 9450	Up to 105	5.1 Std
62586	POSTTOP1AS155UNHD7SC2T5BZ	100/120/155	120-347	0-10V	>70	3000K/4000K/5000K	Type V	Up to 15,750	Up to 105	5.1 Std
62589	POSTTOP1AS155UNHD7SC2T3BZ	100/120/155	120-347	0-10V	>70	3000K/4000K/5000K	Type III	Up to 15,750	Up to 105	5.1 Std
62622	POSTTOP1AS155UNHD7SC2T2BZ	100/120/155	120-347	0-10V	>70	3000K/4000K/5000K	Type II	Up to 15,750	Up to 105	5.1 Std
62625	POSTTOP1AS155UNHD7SC2T4BZ	100/120/155	120-347	0-10V	>70	3000K/4000K/5000K	Type IV	Up to 15,750	Up to 105	5.1 Std

Physical Information

Luminaire Description	Length (inches)	Width (inches)	Height (inches)	Weight (lbs)	EPA
POSTTOP1A	19.7	19.9	25.3	19.8	2.34



CCT/FAO Switch



	L	M	H
60W	40W	50W	60W
90W	70W	80W	90W
155W	100W	120W	155W

LEDVANCE LLC
 200 Ballardvale Street
 Wilmington, MA 01887 USA
 Phone 1-800-LIGHTBULB (1-800-544-4828)
 www.ledvanceUS.com

SYLVANIA and LEDVANCE are registered trademarks.
 All other trademarks are those of their respective owners.
 Licensee of product trademark SYLVANIA in general lighting.
 Specifications subject to change without notice.

[/sylvania](#) [/sylvania](#)

