

SYLVANIA Luminaires

UltraLED™ Backlit Dual Selectable and Low Wattage Panel

Application

The SYLVANIA UltraLED Backlit Panels are the high efficiency solution for offices, schools, hospitality and retail areas.

Benefits and Features

- Backlit technology that offers even lighting distribution without shadowing
- Color selectability allows for changing between 3500K, 4000K or 5000K
- Wattage/Lumen selectable versions: three different lumen outputs in the same product
- Low wattage versions for energy efficiency projects
- DLC Premium Listed to maximize rebate opportunities
- EM ready – compatible with the SYLVANIA field installable emergency battery back-up unit (see Accessories for further details)
- Up to 125 lumens per watt
- PMMA lenses that do not yellow over time
- CRI >80
- Energy savings up to 68%

Electrical

- 120-277VAC and 120-347VAC
- Power Factor >0.9
- THD <20%
- 0-10V dimmable

Rated Life

- 50,000 hours (L₇₀)

Warranty

- 5-year

Operating Temperature

- -4°F to +122°F (-20°C to +50°C)

Certifications and Listings

- cETLus
- RoHS
- FCC
- IC Rated
- DLC Premium
- Damp Rated

Item #
Type
Project
Notes
Date



Wattage Comparison

Panel Size	Traditional Source	Traditional System Wattage	LED System Wattage	Energy Savings
1x4	2x28W T8	49	30	39%
	2x32W T8	56	30	46%
2x2	3x17W T8	48	30	38%
	2xU31W T8	56	30	46%
2x4	2xU31W T8	56	18	68%
	2x28W T8	49	30	39%
	2x32W T8	56	30	46%
	2x32W T8	56	40	29%
	4x28W T8	97	40	59%
	3x32W T8	75	24	68%
	4x32W T8	116	40	66%



Ordering Guide

PANELF	XB	SXXX	XXX	D	8	SC7	XX	G	WH
Product Name	Generation	S = Selectable Wattage	Voltage	Dimming	CRI	Color Temp	Dimensions	Mounting	Color / Finish
PANELF =	3B, 4B	036 = 20/30/36 Watts	UNV =	D = 0-10V	8 = >80	SC7 = Selectable	14 = 1x4	G = Grid	WH = White
LED Panel		050 = 30/40/50 Watts	120-277V	dimming		3500K, 4000K and 5000K	22 = 2x2 24 = 2x4		
		018 = 18 Watts	UNH =						
		024 = 24 Watts	120-347V						

Ordering Information

Item Number	Ordering Abbreviation	Power (W)	Total Fixture Lumens	Input Voltage (V)	Dimming	CRI	Color Temp	Efficiency (LPW)	Size	DLC
62316	PANELF3B018UNVD8SC714GWH	18	2400	120-277V	0-10V	80	3500/4000/5000K	125	1x4	Premium
62103	PANELF3B018UNVD8SC722GWH	18	2400	120-277V	0-10V	80	3500/4000/5000K	125	2x2	Premium
62102	PANELF3B024UNVD8SC724GWH	24	3200	120-277V	0-10V	80	3500/4000/5000K	125	2x4	Premium
62317	PANELF4BS036UNHD8SC714GWH	20/30/36	2500/3750/4500	120-347V	0-10V	80	3500/4000/5000K	125	1x4	Premium
62318	PANELF4BS036UNHD8SC722GWH	20/30/36	2500/3750/4500	120-347V	0-10V	80	3500/4000/5000K	125	2x2	Premium
62319	PANELF4BS050UNHD8SC724GWH	30/40/50	3750/5000/6250	120-347V	0-10V	80	3500/4000/5000K	125	2x4	Premium

Dimmer Compatibility

Brand	Type	Model
Leviton	0-10V	DS710
Leviton	0-10V	IP710
Lutron	0-10V	NTSTV-DV
Lutron	0-10V	NFTV
Lutron	0-10V	DVTV-WH
Legrand	0-10V	H4FBL3PW

Photometric Data

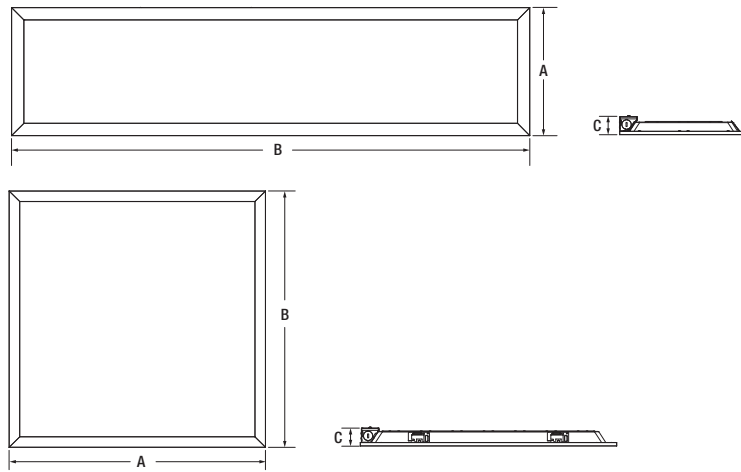
Average Illuminance (FC) at 30" AFF and avg/min uniformity 80/50/20 Reflectances

			8 ft Mounting Height			10 ft Mounting Height			12 ft Mounting Height		
			On Center Fixture Spacing								
			8'x10'	10'x10'	10'x12'	8'x10'	10'x10'	10'x12'	8'x10'	10'x10'	10'x12'
1'x4'	18W	PANELF3B018UNVD8SC714GWH	30fc/1.5	25fc/1.3	20fc/2.2	29fc/1.6	24fc/1.5	20fc/2.0	28fc/1.7	23fc/1.6	19fc/1.9
2'x2'	18W	PANELF3B018UNVD8SC722GWH	30fc/1.5	25fc/1.3	20fc/2.3	29fc/1.6	24fc/1.5	19fc/2.0	28fc/1.7	23fc/1.6	19fc/2.0
2'x4'	24W	PANELF3B024UNVD8SC724GWH	40fc/1.5	33fc/1.3	27fc/2.2	39fc/1.6	32fc/1.5	26fc/2.0	37fc/1.6	31fc/1.6	25fc/1.9
1'x4'	20/30/36W	PANELF4BS036UNHD8SC714GWH	57fc/1.4	47fc/1.2	38fc/2.5	54fc/1.5	45fc/1.3	36fc/1.2	53fc/1.7	43fc/1.6	35fc/1.9
2'x2'	20/30/36W	PANELF4BS036UNHD8SC722GWH	55fc/1.4	43fc/1.2	37fc/2.7	53fc/1.5	43fc/1.3	35fc/2.0	51fc/1.6	42fc/1.6	34fc/1.9
2'x4'	30/40/50W	PANELF4BS050UNHD8SC724GWH	76fc/1.5	63fc/1.3	51fc/2.3	73fc/1.6	61fc/1.4	50fc/2.0	71fc/1.6	58fc/1.6	48fc/1.9

8 ft Mounting Height		Number of Fixtures
8 x 10 OC		60
10 x 10 OC		50
10 x 12 OC		40

Physical Information

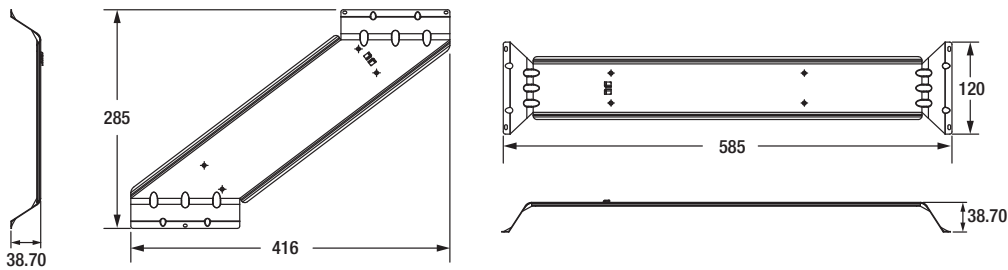
Lamp Description	(A) Length in (mm)	(B) Width in (mm)	(C) Height in (mm)
1x4	12.0 (304)	47.8 (1214)	1.8 (45.4)
2x2	23.9 (604)	23.9 (604)	1.7 (44)
2x4	23.9 (604)	47.8 (1214)	1.7 (44)



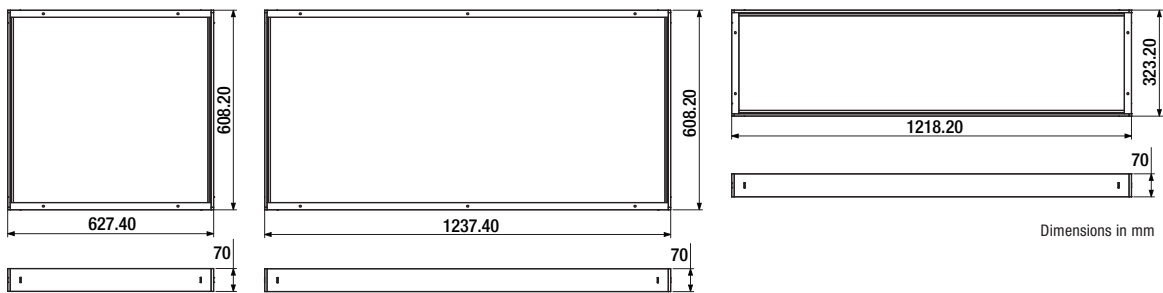
Accessories and Replacement Parts

Item Number	Ordering Abbreviation	Item Description
60888	EMBB1A8WDC	Field installable emergency battery back-up unit
61682	ACCPANELF3AEMBB-BRIDGE2	Metal bridge for installing emergency battery back-up unit to 2x2 and 2x4 panels
61683	ACCPANELF3AEMBB-BRIDGE1	Metal bridge for installing emergency battery back-up unit to 1x4 panels
62064	SMKIT3A/22/WH	Surface Mount Kit for 2x2 Backlit Panel, extruded Aluminum, white finish
62065	SMKIT3A/24/WH	Surface Mount Kit for 2x4 Backlit Panel, extruded Aluminum, white finish
62066	SMKIT3A/14/WH	Surface Mount Kit for 1x4 Backlit Panel, extruded Aluminum, white finish
62067	SPKIT3A	Suspension Kit for Backlit Panels
60457	FK1A14GWH	Flange Kit for 1x4 Panel
60458	FK1A22GWH	Flange Kit for 2x2 Panel
60459	FK1A24GWH	Flange Kit for 2x4 Panel

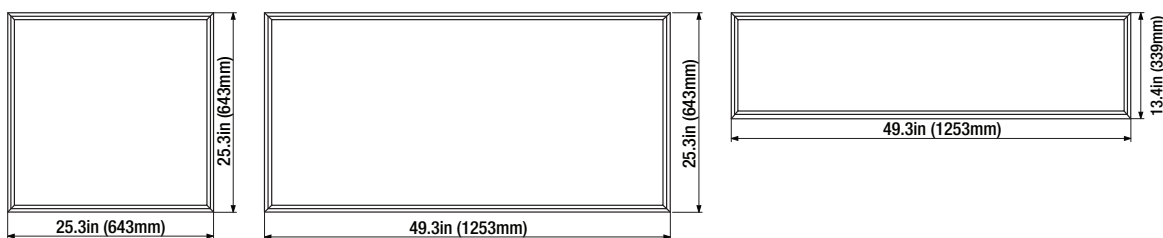
Metal Bridge



Surface Mount Kit



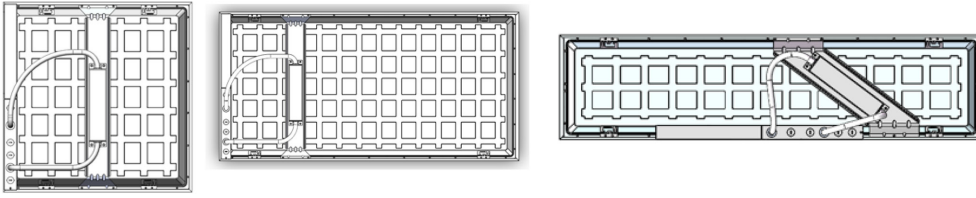
Flange Kit



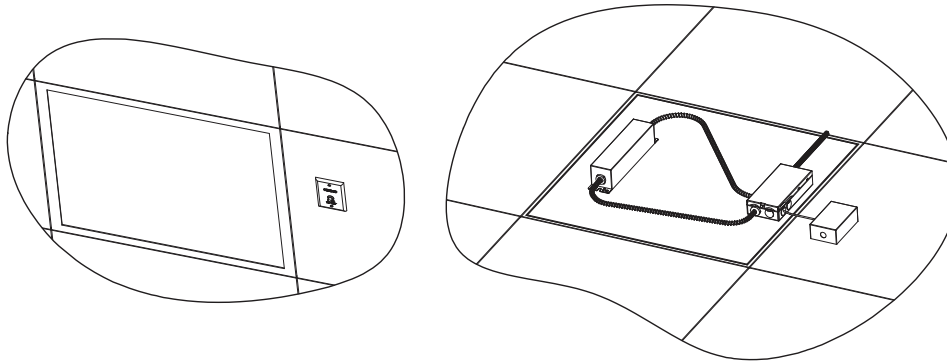
Options Information

Emergency Battery Backup

Emergency Battery Backup: Activates when normal power supply to the fixture fails, providing a minimum of 790 lumens (850 nominal lumens) for at least 90 minutes.



Location of Emergency Test Switch



Additional Specifications

- cETLus listed to UL1598 standards
- IC and damp rated

LEDVANCE LLC
200 Ballardvale Street
Wilmington, MA 01887 USA
Phone 1-800-LIGHTBULB (1-800-544-4828)
www.ledvanceUS.com

SYLVANIA and LEDVANCE are registered trademarks.
All other trademarks are those of their respective owners.
Licensee of product trademark SYLVANIA in general lighting.
Specifications subject to change without notice.

[/sylvania](#) [/sylvania](#)

Name:	_____
Email:	_____
Phone:	_____

