

SYLVANIA Luminaires

UltraLED™ CCT and Lumen Selectable Wide Body Vapor Tight

Application

The Vapor Tight luminaires are environmentally preferable LED alternatives to traditional HID or fluorescent luminaires, offering up to 69% in energy savings. Ideal in place of traditional luminaires, or as new installations, the Vapor Tight series is suitable for illuminating garages, stairwells, industrial areas, canopies, and outdoor walkways.

Benefits and Features

- DLC Premium listing ensures high energy efficacy and optimizes this product for utility rebates
- Both lumen and CCT selectable
- IP65 rating, NEMA 4X rating, NSF Splash Zone rating and an IK10 rating ensure a robust and resilient luminaire
- Optional integrated microwave (daylight/motion) sensor and emergency battery back-up for additional energy savings
- Up to 150 LPW
- Selectable 3500K, 4000K, or 5000K color temperatures
- Offered in two selectable wattage/lumen packages (60, 75 or 90W and 120, 150 or 180W)
- CRI >80
- Energy savings up to 69%

Electrical

- 120-277VAC, either 347VAC or 480VAC (See Ordering Guide for further details)
- Power Factor >90%
- THD <20%
- 0-10V dimmable down to 5%
- Auxiliary 12V output

Rated Life

- 75,000 hours (L₇₀)

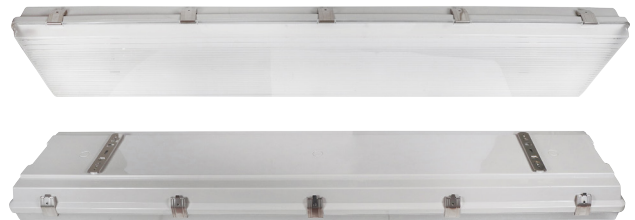
Warranty

- 5-year

Ambient Operating Range

- -4°F to +104°F (-20°C to +40°C)

Item #
Type
Project
Notes
Date



Wattage Comparison

Traditional Source	Traditional System Wattage	LED System Wattage	Energy Savings
4-lamp 32T8	112	60	46%
2-lamp 54T5H0	121	60	50%
4-lamp 32T8	112	75	33%
2-lamp 54T5H0	121	75	38%
3-lamp 54T5H0	175	90	49%
250W HID	290	90	69%
4-lamp 54T5H0	220	120	45%
8-lamp 32T8	224	120	46%
250W HID	290	120	59%
8-lamp 32T8	224	150	33%
320W MH	370	150	59%
6-lamp 54T5H0	350	180	49%
320 MH	370	180	51%

Certifications and Listings

- cULus
- RoHS
- FCC
- NSF
- NEMA 4X
- DLC Premium
- MTO
- IK10

Installation

- Can be surface mounted or suspended
- Surface mount brackets included
- V-hooks included
- Optional mounting chains, mounting cables, and pendant mounting brackets available
- Suitable for wet locations



Ordering Guide

WVAP	1A	/ SXXX	XXX	D	8	SC7	/ 48	XX	/ GR	/ XX
Product Name	Generation	Selectable Wattage	Voltage	Dimming	CRI	Selectable Color Temperature	Length	Lens Type	Color/Finish	Options
WVAP = Wide Body	1A	S090 = 60, 75 or 90W S180 = 120, 150 or 180W	UNV = 120-277V DHV = 347 or 480V USP = 120-277V (with 10kv surge protection)	D = 0-10V dimming	8 = 80	SC7 = 3500, 4000 or 5000K	48"	EC = Etched Lens W1 = 165° Wide Optics	GR = Gray	blank = No option D = Motion/Daylight Sensor E = Emergency Battery Back-up DE = Motion/Daylight Sensor + Emergency Battery Back-up 6C = With 6ft cord

Ordering Information

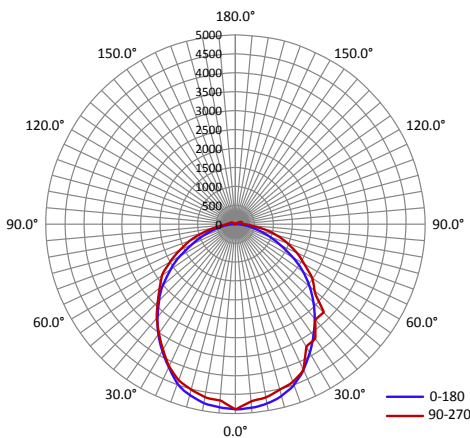
Item Number	Ordering Abbreviation	Wattage (W)	Input Voltage (V)	Dimming	CRI	Color Temperature (CCT)	Total Fixture Lumens	LPW	Options	DLC*	MTO**
65414	WVAP1A/S090UNVD8SC7/48EC/GR	60, 75 or 90	120-277V	0-10V	>80	3500, 4000 or 5000	9000, 11,250 or 13,500	150	—	Prm	—
62279	WVAP1A/S090UNVD8SC7/48EC/GR/6C	60, 75 or 90	120-277V	0-10V	>80	3500, 4000 or 5000	9000, 11,250 or 13,500	150	With 6ft cord	Prm	MTO
65415	WVAP1A/S180UNVD8SC7/48EC/GR	120, 150 or 180	120-277V	0-10V	>80	3500, 4000 or 5000	18,000, 22,500 or 27,000	150	—	Prm	—
65518	WVAP1A/S090UNVD8SC7/48EC/GR/D	60, 75 or 90	120-277V	0-10V	>80	3500, 4000 or 5000	9000, 11,250 or 13,500	150	Motion / Daylight Sensor	Prm	MTO
65519	WVAP1A/S180UNVD8SC7/48EC/GR/D	120, 150 or 180	120-277V	0-10V	>80	3500, 4000 or 5000	18,000, 22,500 or 27,000	150	Motion / Daylight Sensor	Prm	MTO
65520	WVAP1A/S090UNVD8SC7/48EC/GR/E	60, 75 or 90	120-277V	0-10V	>80	3500, 4000 or 5000	9000, 11,250 or 13,500	150	Emergency Battery Back-up	Prm	MTO
65521	WVAP1A/S180UNVD8SC7/48EC/GR/E	120, 150 or 180	120-277V	0-10V	>80	3500, 4000 or 5000	18,000, 22,500 or 27,000	150	Emergency Battery Back-up	Prm	MTO
62132	WVAP1A/S090UNVD8SC7/48EC/GR/DE	60, 75 or 90	120-277V	0-10V	>80	3500, 4000 or 5000	9000, 11,250 or 13,500	150	Motion / Daylight Sensor + Emergency Battery Back-up	Prm	MTO
62133	WVAP1A/S180UNVD8SC7/48EC/GR/DE	120, 150 or 180	120-277V	0-10V	>80	3500, 4000 or 5000	18,000, 22,500 or 27,000	150	Motion / Daylight Sensor + Emergency Battery Back-up	Prm	MTO
65562	WVAP1A/S090USPD8SC7/48EC/GR	60, 75 or 90	120-277V	0-10V	>80	3500, 4000 or 5000	9000, 11,250 or 13,500	150	10kv surge protection	Prm	MTO
65563	WVAP1A/S180USPD8SC7/48EC/GR	120, 150 or 180	120-277V	0-10V	>80	3500, 4000 or 5000	18,000, 22,500 or 27,000	150	10kv surge protection	Prm	MTO
62135	WVAP1A/S090UNVD8SC7/48W1/GR	60, 75, or 90	120-277V	0-10V	>80	3500, 4000 or 5000	9000, 11,250 or 13,500	150	165° distribution	Prm	MTO
62136	WVAP1A/S180UNVD8SC7/48W1/GR	120, 150, or 180	120-277V	0-10V	>80	3500, 4000 or 5000	18,000, 22,500 or 27,000	150	165° distribution	Prm	MTO
65564	WVAP1A/S090DHVD8SC7/48EC/GR	60, 75 or 90	Either 347 or 480V only	0-10V	>80	3500, 4000 or 5000	9000, 11,250 or 13,500	150	—	Prm	MTO
65565	WVAP1A/S180DHVD8SC7/48EC/GR	120, 150 or 180	Either 347 or 480V only	0-10V	>80	3500, 4000 or 5000	18,000, 22,500 or 27,000	150	—	Prm	MTO
65566	WVAP1A/S090DHVD8SC7/48EC/GR/D	60, 75 or 90	Either 347 or 480V only	0-10V	>80	3500, 4000 or 5000	9000, 11,250 or 13,500	150	Motion / Daylight Sensor	Prm	MTO
65567	WVAP1A/S180DHVD8SC7/48EC/GR/D	120, 150 or 180	Either 347 or 480V only	0-10V	>80	3500, 4000 or 5000	18,000, 22,500 or 27,000	150	Motion / Daylight Sensor	Prm	MTO

*Prm for DLC Premium

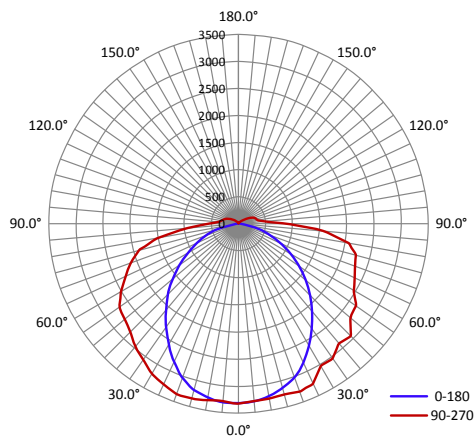
**Made To Order

Photometric Information

Etched Lens

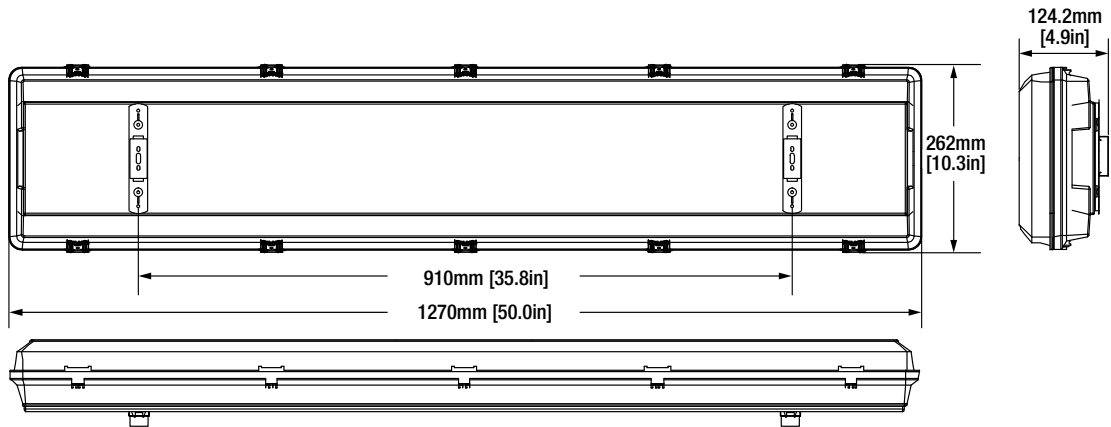


Wide Distribution



Physical Information

Lamp Description	Length (in)	Width (in)	Height (in)
Wide Body Vapor Tight	50	10.3	4.9

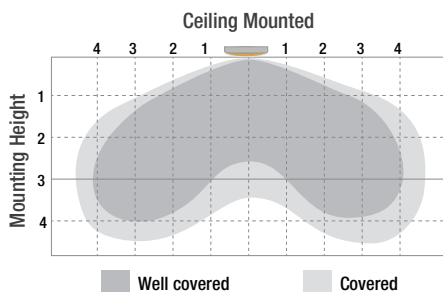


Accessories

Item Number	Ordering Abbreviation	Item Description
60573	LNHIBA2A/CHAINMT	Chain Mount (5 foot, 1 pair)
60574	LNHIBA2A/ACCABLEMT	Cable Mount (5 foot, 1 pair)
62134	WVAP1A/PENDANTMOUNTBRACKETS	Pendant Mount Brackets – 2 brackets per SKU for mounting 1 luminaire
60105	HIBAY2A/REMOTE	Sensor Remote (functional up to 49ft (15m))

Sensor Options Information

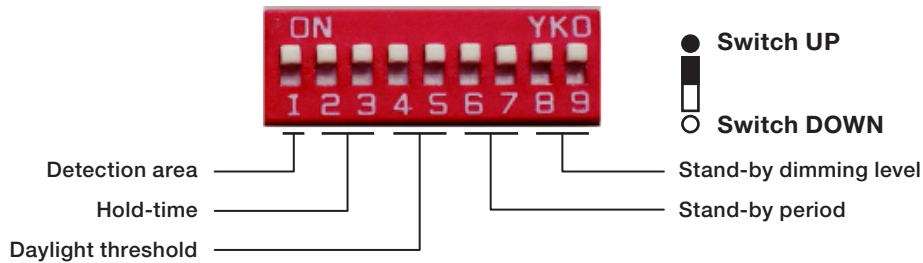
Detection Range*



Typical installation height 2.5-4m; units are shown in meters.

This figure indicates the maximum distance at the highest mounting height with 100% sensitivity.

DIP Switch Settings



<input checked="" type="radio"/>	100%
<input type="radio"/>	50%

Detection area

In this area, movement will be detected and able to trigger the sensor. 100% detection area is also known as the strong sensitivity.

<input checked="" type="radio"/>	<input checked="" type="radio"/>	10s
<input checked="" type="radio"/>	<input type="radio"/>	1min
<input type="radio"/>	<input checked="" type="radio"/>	5min
<input type="radio"/>	<input type="radio"/>	10min

Hold-time

The period of light keeping 100% brightness after moving objects leave the detection area.

<input checked="" type="radio"/>	<input checked="" type="radio"/>	Disable
<input checked="" type="radio"/>	<input type="radio"/>	50lux
<input type="radio"/>	<input checked="" type="radio"/>	30lux
<input type="radio"/>	<input type="radio"/>	10lux

Daylight threshold

Definition of the ambient brightness; only when the ambient brightness is lower than the preset specific lux amount, the sensor will work; when it's preset as "disable", the sensor works everytime it detects motion regardless the ambient brightness.

<input checked="" type="radio"/>	<input checked="" type="radio"/>	1min
<input checked="" type="radio"/>	<input type="radio"/>	30min
<input type="radio"/>	<input checked="" type="radio"/>	60min
<input type="radio"/>	<input type="radio"/>	+∞

Stand-by period

The period of light keeping low output before it's completely switched off. When it's preset as "∞", the light always keep at low output if no movement in the detection area and doesn't turn off.

<input checked="" type="radio"/>	<input checked="" type="radio"/>	10%
<input checked="" type="radio"/>	<input type="radio"/>	20%
<input type="radio"/>	<input checked="" type="radio"/>	30%
<input type="radio"/>	<input type="radio"/>	50%

Stand-by dimming level

The definition of low output in the standby period.

LEDVANCE LLC
 200 Ballardvale Street
 Wilmington, MA 01887 USA
 Phone 1-800-LIGHTBULB (1-800-544-4828)
 www.sylvania.com

SYLVANIA and LEDVANCE are registered trademarks.
 All other trademarks are those of their respective owners.
 Licensee of product trademark SYLVANIA in general lighting.
 Specifications subject to change without notice.

[/sylvania](https://twitter.com/sylvania) [/sylvania](https://facebook.com/sylvania)

Name: _____
 Email: _____
 Phone: _____

