

SYLVANIA Luminaires

ValueLED™ Panel

Application

The SYLVANIA ValueLED Panels are offered in three sizes for illuminating offices, retail or hospitality areas.

Benefits and Features

- Back-lit, offering even and uniform lighting
- Junction box compliant with UL and NEC for through wiring
- Available in both color selectable versions as well as in 3500K, 4000K, or 5000K versions
- CRI >80
- Offered in 30, 35, 40 and 45 watts
- Energy savings up to 64%
- DLC Listed to maximize rebate opportunities
- EM ready – compatible with the SYLVANIA field installable emergency battery back-up unit (see Accessories for further details)
- Optional 6ft 3-18AWG solid 3/8" fixture whip with screw in connector (see Ordering Guide for further information)

Electrical

- 120-277VAC
- Power Factor >90%
- THD <20%
- 0-10V dimmable

Rated Life

- 50,000 hours (L₇₀)

Warranty

- 5-year

Certifications and Listings

- cETLus
- RoHS compliant
- FCC
- IC Rated
- DLC

| |
|---------|
| Item # |
| Type |
| Project |
| Notes |
| |
| Date |



Wattage Comparison

| Panel Size | Traditional Source | Traditional System Wattage | LED System Wattage | Energy Savings |
|------------|--------------------|----------------------------|--------------------|----------------|
| 1x4 | 2-lamp 28T8 | 49 | 30 | 39% |
| | 2-lamp 32T8 | 56 | 30 | 46% |
| 2x2 | 3-lamp 17T8 | 48 | 30 | 38% |
| | 2-Ulamp 31T8 | 56 | 30 | 46% |
| | 2-lamp 28T8 | 49 | 30 | 39% |
| | 2-lamp 32T8 | 56 | 30 | 46% |
| | 3-lamp 32T8 | 75 | 30 | 60% |
| 2x4 | 3-lamp 28T8 | 64 | 35 | 45% |
| | 3-lamp 32T8 | 75 | 35 | 53% |
| | 3-lamp 28T8 | 64 | 40 | 38% |
| | 3-lamp 32T8 | 75 | 40 | 47% |
| | 4-lamp 28T8 | 97 | 40 | 59% |
| | 4-lamp 32T8 | 112 | 40 | 64% |
| | 4-lamp 28T8 | 97 | 45 | 54% |
| | 4-lamp 32T8 | 116 | 45 | 61% |



Ordering Guide

| PANELF | 3X | / XXX | UNV | D | 8 | XXX | / XX | G | / WH | / X |
|--------------|--------------------|----------------|----------|-----------|---------|--------------------------------|------------|----------|----------------|-------------------|
| Product Name | 3A = Generation 3A | Wattage | Voltage | Dimming | CRI | Color Temp | Dimensions | Mounting | Color / Finish | Options |
| PANELF = | 3B = Generation 3B | 030 = 30 Watts | UNV = | D = 0-10V | 8 = >80 | 35 = 3500K | 14 = 1x4 | G = Grid | WH = White | Blank = no option |
| LED Panel | | 035 = 35 Watts | 120-277V | dimming | | 40 = 4000K | 22 = 2x2 | | | W = with whip |
| | | 040 = 40 Watts | | | | 50 = 5000K | 24 = 2x4 | | | |
| | | 045 = 45 Watts | | | | SC7 = 3500K, 4000K or 5000K | | | | |

Ordering Information

Non-CCT Selectable

| Item Number | Ordering Abbreviation | Power (W) | Input Voltage (V) | Dimming | CRI | Color Temp | Dimensions | Total Fixture Lumens | DLC | LPW | Options | MTO* |
|-------------|----------------------------|-----------|-------------------|---------|-----|------------|------------|----------------------|-----|-----|---------|------|
| 61579† | PANELF3A/030UNVD835/14G/WH | 30 | 120-277 | 0-10V | >80 | 3500K | 1x4 | 3500 | Std | 117 | – | – |
| 61580† | PANELF3A/030UNVD840/14G/WH | 30 | 120-277 | 0-10V | >80 | 4000K | 1x4 | 3500 | Std | 117 | – | – |
| 61581† | PANELF3A/030UNVD850/14G/WH | 30 | 120-277 | 0-10V | >80 | 5000K | 1x4 | 3500 | Std | 117 | – | – |
| 61582† | PANELF3A/030UNVD835/22G/WH | 30 | 120-277 | 0-10V | >80 | 3500K | 2x2 | 3750 | Std | 125 | – | – |
| 61583 | PANELF3A/030UNVD840/22G/WH | 30 | 120-277 | 0-10V | >80 | 4000K | 2x2 | 3750 | Std | 125 | – | – |
| 61584† | PANELF3A/030UNVD850/22G/WH | 30 | 120-277 | 0-10V | >80 | 5000K | 2x2 | 3700 | Std | 123 | – | – |
| 61585 | PANELF3A/030UNVD835/24G/WH | 30 | 120-277 | 0-10V | >80 | 3500K | 2x4 | 3800 | Std | 127 | – | – |
| 61586† | PANELF3A/030UNVD840/24G/WH | 30 | 120-277 | 0-10V | >80 | 4000K | 2x4 | 3750 | Std | 125 | – | – |
| 61587† | PANELF3A/030UNVD850/24G/WH | 30 | 120-277 | 0-10V | >80 | 5000K | 2x4 | 3650 | Std | 122 | – | – |
| 61588† | PANELF3A/040UNVD835/24G/WH | 40 | 120-277 | 0-10V | >80 | 3500K | 2x4 | 4200 | Std | 105 | – | – |
| 61589† | PANELF3A/040UNVD840/24G/WH | 40 | 120-277 | 0-10V | >80 | 4000K | 2x4 | 4200 | Std | 105 | – | – |
| 61590† | PANELF3A/040UNVD850/24G/WH | 40 | 120-277 | 0-10V | >80 | 5000K | 2x4 | 4200 | Std | 105 | – | – |

† Item is discontinued with inventory remaining.

*Made To Order

CCT Selectable

| Item Number | Ordering Abbreviation | Power (W) | Input Voltage (V) | Dimming | CRI | Color Temp | Dimensions | Total Fixture Lumens | DLC | LPW | Options | MTO* |
|-------------|-------------------------------|-----------|-------------------|---------|-----|-----------------|------------|----------------------|-----|-----|---------------|------|
| 61882 | PANELF3B/030UNVD8SC7/14G/WH | 30 | 120-277 | 0-10V | >80 | 3500/4000/5000K | 1x4 | 3300 | Std | 110 | – | – |
| 62188 | PANELF3B/040UNVD8SC7/14G/WH | 40 | 120-277 | 0-10V | >80 | 3500/4000/5000K | 1x4 | 4500 | Std | 112 | – | – |
| 61883 | PANELF3B/030UNVD8SC7/22G/WH | 30 | 120-277 | 0-10V | >80 | 3500/4000/5000K | 2x2 | 3300 | Std | 110 | – | – |
| 61884 | PANELF3B/030UNVD8SC7/24G/WH | 30 | 120-277 | 0-10V | >80 | 3500/4000/5000K | 2x4 | 3300 | Std | 110 | – | – |
| 61885 | PANELF3B/035UNVD8SC7/24G/WH | 35 | 120-277 | 0-10V | >80 | 3500/4000/5000K | 2x4 | 4000 | Std | 110 | – | – |
| 61886 | PANELF3B/045UNVD8SC7/24G/WH | 45 | 120-277 | 0-10V | >80 | 3500/4000/5000K | 2x4 | 5000 | Std | 110 | – | – |
| 62137 | PANELF3B/030UNVD8SC7/14G/WH/W | 30 | 120-277 | 0-10V | >80 | 3500/4000/5000K | 1x4 | 3300 | Std | 112 | with 6ft whip | MTO |
| 62138 | PANELF3B/030UNVD8SC7/22G/WH/W | 30 | 120-277 | 0-10V | >80 | 3500/4000/5000K | 2x2 | 3300 | Std | 110 | with 6ft whip | MTO |
| 62139 | PANELF3B/030UNVD8SC7/24G/WH/W | 30 | 120-277 | 0-10V | >80 | 3500/4000/5000K | 2x4 | 3300 | Std | 110 | with 6ft whip | MTO |
| 62140 | PANELF3B/035UNVD8SC7/24G/WH/W | 35 | 120-277 | 0-10V | >80 | 3500/4000/5000K | 2x4 | 4000 | Std | 110 | with 6ft whip | MTO |
| 62141 | PANELF3B/045UNVD8SC7/24G/WH/W | 45 | 120-277 | 0-10V | >80 | 3500/4000/5000K | 2x4 | 5000 | Std | 110 | with 6ft whip | MTO |

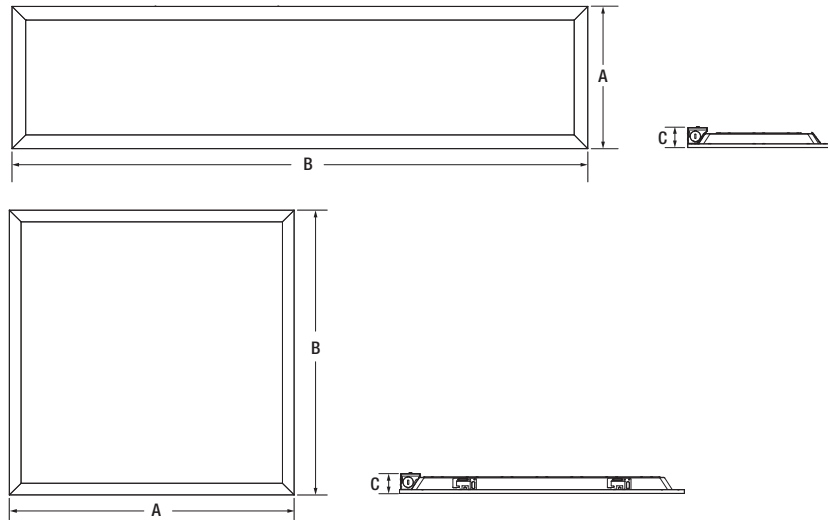
*Made To Order

Photometric Data

| | | | 8 ft Mounting Height | | | 10 ft Mounting Height | | | 12 ft Mounting Height | | |
|-------|-----|----------------------------|---------------------------|----------|----------|-----------------------|----------|----------|-----------------------|----------|----------|
| | | | On Center Fixture Spacing | | | | | | | | |
| | | | 8'x10' | 10'x10' | 10'x12' | 8'x10' | 10'x10' | 10'x12' | 8'x10' | 10'x10' | 10'x12' |
| 1'x4' | 30W | PANELF3B/030UNVD8SC7/14GWH | 51fc/2.4 | 42fc/2.6 | 34fc/5.1 | 50fc/2.5 | 41fc/2.3 | 33fc/3.8 | 48fc/2.4 | 40fc/2.1 | 32fc/3.2 |
| | 35W | PANELF3B/035UNVD8SC7/24GWH | 56fc/3.1 | 46fc/2.1 | 37fc/3.5 | 54fc/2.6 | 45fc/2.0 | 36fc/2.7 | 53fc/2.4 | 44fc/2.0 | 35fc/2.5 |
| 2'x2' | 30W | PANELF3B/030UNVD8SC7/22GWH | 50fc/3.2 | 42fc/2.7 | 33fc/3.6 | 49fc/2.6 | 39fc/1.9 | 33fc/2.9 | 47fc/2.9 | 39fc/2.0 | 32fc/2.6 |
| | 35W | PANELF3B/035UNVD8SC7/24GWH | 51fc/3.0 | 42fc/2.2 | 34fc/3.5 | 50fc/2.5 | 41fc/2.0 | 33fc/2.8 | 48fc/2.3 | 40fc/2.0 | 32fc/2.5 |
| 2'x4' | 30W | PANELF3B/030UNVD8SC7/24GWH | 51fc/3.0 | 42fc/2.2 | 34fc/3.5 | 50fc/2.5 | 41fc/2.0 | 33fc/2.8 | 48fc/2.3 | 40fc/2.0 | 32fc/2.5 |
| | 45W | PANELF3B/045UNVD8SC7/24GWH | 71fc/3.1 | 59fc/2.2 | 48fc/3.5 | 69fc/2.6 | 58fc/2.0 | 47fc/2.8 | 67fc/2.4 | 56fc/2.0 | 45fc/2.5 |

Physical Information

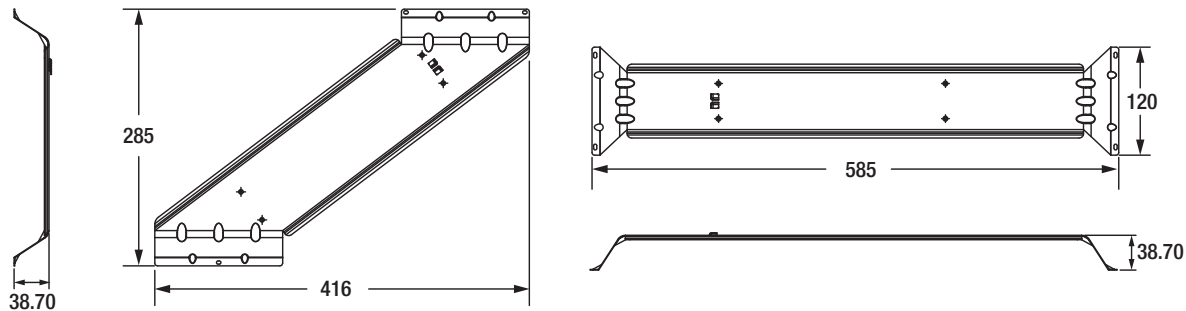
| Lamp Description | (A) Length (in) | (B) Width (in) | (C) Height (in) |
|------------------|-----------------|----------------|-----------------|
| 1x4 | 11.8 | 47.8 | 1.7 |
| 2x2 | 23.8 | 23.8 | 1.7 |
| 2x4 | 23.8 | 47.8 | 1.6 |



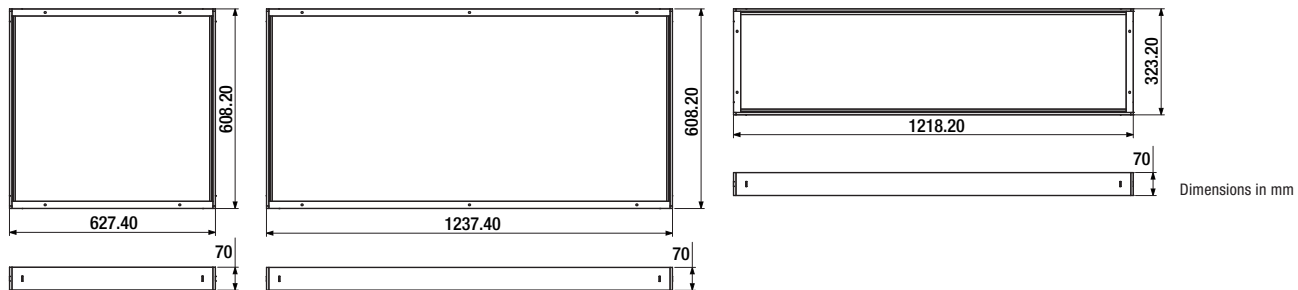
Accessories and Replacement Parts

| Item Number | Ordering Abbreviation | Item Description |
|-------------|-------------------------|----------------------------------------------------------------------------------|
| 60888 | EMBB1A8WDC | Field installable emergency battery back-up unit |
| 61682 | ACCPANELF3AEMBB-BRIDGE2 | Metal bridge for installing emergency battery back-up unit to 2x2 and 2x4 panels |
| 61683 | ACCPANELF3AEMBB-BRIDGE1 | Metal bridge for installing emergency battery back-up unit to 1x4 panels |
| 62064 | SMKIT3A/22/WH | Surface Mount Kit for 2x2 Backlit Panel, extruded Aluminum, white finish |
| 62065 | SMKIT3A/24/WH | Surface Mount Kit for 2x4 Backlit Panel, extruded Aluminum, white finish |
| 62066 | SMKIT3A/14/WH | Surface Mount Kit for 1x4 Backlit Panel, extruded Aluminum, white finish |
| 62067 | SPKIT3A | Suspension Kit for Backlit Panels |

Metal Bridge



Surface Mount Kit

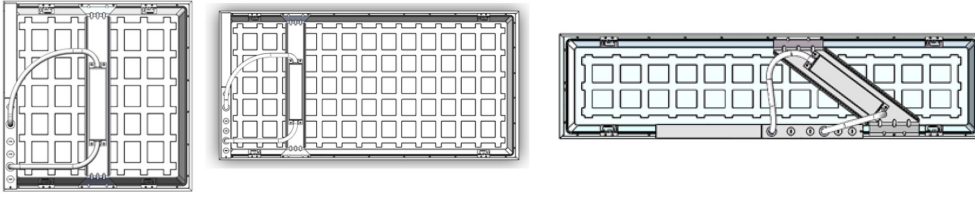


Dimensions in mm

Options Information

Emergency Battery Backup

Emergency Battery Backup: Activates when normal power supply to the fixture fails, providing a minimum of 650 lumens (700 nominal lumens) for at least 90 minutes.



Additional Specifications

- Suitable for use in closets, compliant with NFPA 70, NEC section 410.16 (A)(3) and 410.16 (C)(5)
- cETLus listed to UL1598 standards
- IC and damp rated

LEDVANCE LLC
200 Ballardvale Street
Wilmington, MA 01887 USA
Phone 1-800-LIGHTBULB (1-800-544-4828)
www.sylvania.com

SYLVANIA and LEDVANCE are registered trademarks.
All other trademarks are those of their respective owners.
Licensee of product trademark SYLVANIA in general lighting.
Specifications subject to change without notice.

 /sylvania  /sylvania

| | |
|--------|----------------------|
| Name: | <input type="text"/> |
| Email: | <input type="text"/> |
| Phone: | <input type="text"/> |

