

SYLVANIA Luminaires

Hi-PerformanceLED™ Undercabinet Light with TruWave™ Technology

TruWave Technology™

TruWave Technology offers the best alternative to natural light by mimicking the natural light spectrum, all while saving energy.

Benefits and Features

- Perfect fit where clean light color rendering is needed for seeing realistic, vivid colors without sacrificing light output
- Properly saturates red to make building spaces and flesh tones accurate and vibrant, without oversaturating (which compromises energy efficiency)
- Controls blue wavelengths for lower glare and reduced eye strain to improve readability and supports an improved sleep-wake cycle
- Exceptional color quality without the loss of efficacy typical of most 90+ CRI solutions
- Sleek and slim with a very modern design
- Available in multiple lengths: 6", 9", 12", 18", 24" and 30"
- Durable white aluminum
- Modular design: Linkable units
- High CRI: 93
- Sweep sensor (available in starter kit or optional accessory)
 - On/Off/Dim/Switch color temperature
- 3 Colors selectable (2700K, 4000K, 5000K)
- Wide range of accessories sold separately (connectors, splitters, in-line drivers, adapters, sensor)

Electrical

- 24Vdc (light bar)
- Plug-in adapter: 120Vac
- In-line driver: 120Vac

Rated Life

- 50,000 hours (L₇₀)

Warranty

- 5-year
- NLB Trusted Warranty Program

Ambient Operating Range

- -4°F to 104°F (-20°C to 40°C)



Certifications and Listings

- cETLus
- RoHS
- FCC*
- ENERGY STAR®

*FCC Title 47 CFR, Part 15 Subpart B Class B

Installation

- Both Starter Kits and Extension Kits include: Light bar, brackets (screw fix and magnet), sweep sensor, power sourcing (in-line driver or plug in adapter), 6" wire connector, short solid connector, end cap protector, adhesive tape and screws
- Plug in installation (connect up to 24W per run on a single power supply)
- In-line driver installation (connect up to 50W per run on a single power supply)
- Splitter with 4 and 8 outputs are offered for an easier installation
- 2 in 1 application: Magnet brackets with adhesive tape (no damage) or screw-in brackets
- Dimming works only if connected with the sweep sensor module (sold with starter kit or separately as accessory)



Catalog #	Type
Project	
Comments	
Prepared by	

Ordering Guide

Extension Kits

UNDCAB	OXX	9	TL	SC6	XXIN	WH
Undercabinet Light Extension Kit	Wattage 2, 3, 4, 6, 8, 10	CRI 9 = 93+	TL = Natural with TruWave Technology™	Color Temperature SC6 = Selectable 2700/4000/5000K	Length (inches) 6, 9, 12, 18, 24, 30	Color/Finish WH = White

Starter Kits

UCKIT	OXX	9	TL	SC6	XXIN	XXXX	WH
Undercabinet Light Starter Kit	Wattage 3, 4, 8	CRI 9 = 93+	TL = Natural with TruWave Technology™	Color Temperature SC6 = Selectable 2700/4000/5000K	Length (inches) 9, 12, 24	Installation PLUG = Plug-in Blank = In-line driver (direct wire)	Color/Finish WH = White

Accessories (Power Sourcing)

UNDCAB	XX	120	XXXXXXXX
Undercabinet Light	Wattage 6, 12, 24, 50	Input Voltage 120V	Product Type DRIVER = Driver

Accessories (Connectors)

UC	XXXXXXXX	WH
Undercabinet	Product Type UCLONGCONNSOLID = Solid Long Connector SHORTCONNSOLID = Solid Short Connector CORNERCONNSOLID = Corner Connector WIRECONN6INCH = 6 Inch Wire Connector to link light bars WIRECONNSPLITTER39INCH = 39 Inch Wire Connector for splitters	Color/Finish WH = White
	WIRECONNSPLITTER78INCH = 78 Inch Wire Connector for splitters SPLITTER4OUTPUT = Splitter 4 Output SPLITTER8OUTPUT = Splitter 8 Output SWEEPMODDIMCCT = Sweep Sensor Module	

Ordering Information

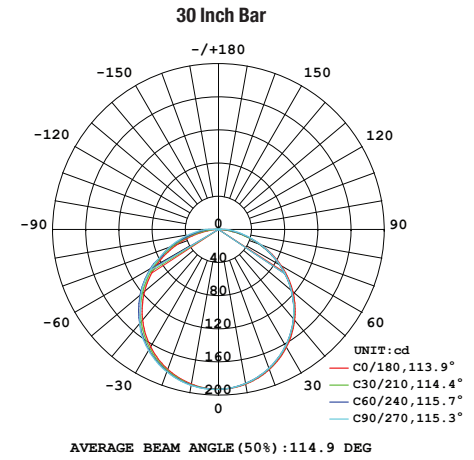
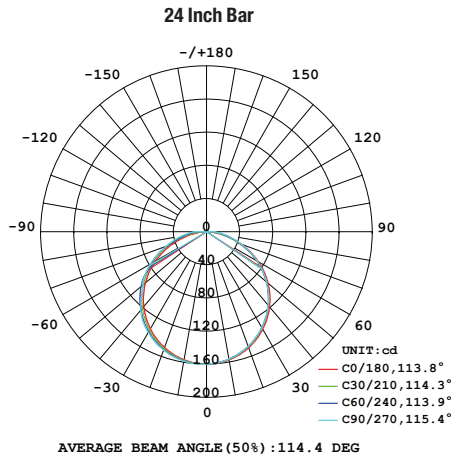
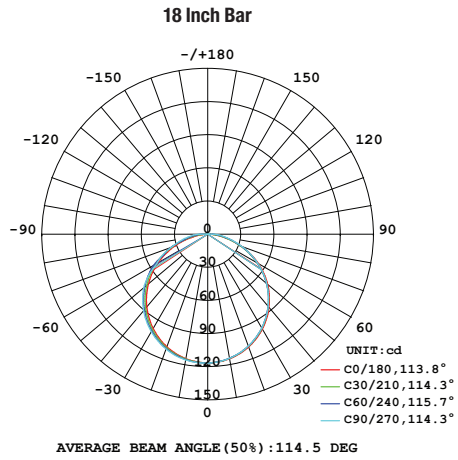
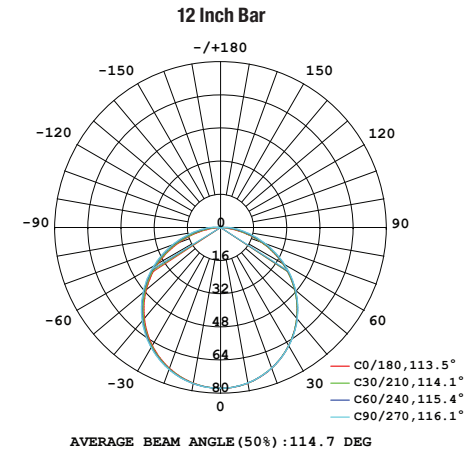
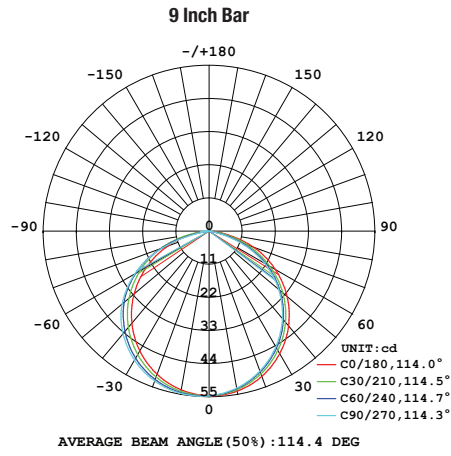
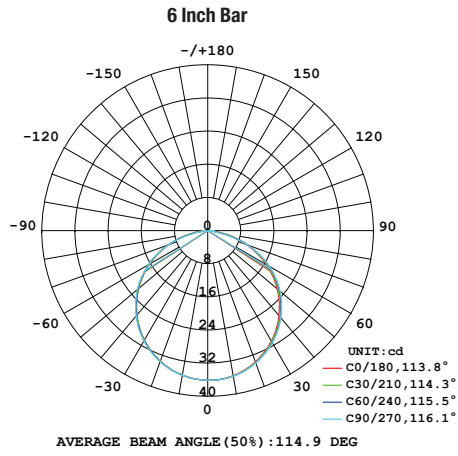
Item Number	Ordering Abbreviation	Power (W)	Input Voltage	Average Life (hrs)	Typical Lumens (lm)	CCT	CRI	Bulb Finish	Case Qty	ENERGY STAR®	T20	T24
Extension Kit												
61848	UNDCAB0029TLCSC66INWH	2	24Vdc	50,000	130	2700/4000/5000K	>93	Frosted	1	No	No	No
61851	UNDCAB0039TLCSC69INWH	3	24Vdc	50,000	195	2700/4000/5000K	>93	Frosted	1	No	No	No
61854	UNDCAB0049TLCSC612INWH	4	24Vdc	50,000	265	2700/4000/5000K	>93	Frosted	1	No	No	No
61857	UNDCAB0069TLCSC618INWH	6	24Vdc	50,000	400	2700/4000/5000K	>93	Frosted	1	No	No	No
61860	UNDCAB0089TLCSC624INWH	8	24Vdc	50,000	540	2700/4000/5000K	>93	Frosted	1	No	No	No
61863	UNDCAB0109TLCSC630INWH	10	24Vdc	50,000	680	2700/4000/5000K	>93	Frosted	1	No	No	No
Starter Kit												
61799	UCKIT003TL9SC69INPLUGWH	3	120V	50,000	195	2700/4000/5000K	>93	Frosted	1	Yes	No	No
61802	UCKIT004TL9SC612INPLUGWH	4	120V	50,000	265	2700/4000/5000K	>93	Frosted	1	Yes	No	No
61805	UCKIT008TL9SC624INPLUGWH	8	120V	50,000	540	2700/4000/5000K	>93	Frosted	1	Yes	No	No
61866	UCKIT003TL9SC69INWH	3	120V	50,000	195	2700/4000/5000K	>93	Frosted	1	Yes	No	No
61869	UCKIT004TL9SC612INWH	4	120V	50,000	265	2700/4000/5000K	>93	Frosted	1	Yes	No	No
61872	UCKIT008TL9SC624INWH	8	120V	50,000	540	2700/4000/5000K	>93	Frosted	1	Yes	No	No

Item Number	Ordering Abbreviation	Power (W)	Input Voltage	Avg. Life (hrs)	Case Qty
Accessories (Power Sourcing)					
61797	UNDCAB24120DRIVER	24	120V	50,000	4
61798	UNDCAB50120DRIVER	50	120V	50,000	4
61808	UNDCAB06120PLGADAPT	6	120V	–	4
61809	UNDCAB12120PLGADAPT	12	120V	–	4
61810	UNDCAB24120PLGADAPT	24	120V	–	4

Item Number	Ordering Abbreviation	Case Qty
Accessories (Connectors)		
61811	UCLONGCONNSOLIDWH	4
61814	UCSHORTCONNSOLIDWH	4
61817	UCCORNERCONNSOLIDWH	4
61820*	UCWIRECONN6INCH	4
61821**	UCWIRECONNSPLITTER39INCH	4
61822**	UCWIRECONNSPLITTER78INCH	4
61823	UCSPLITTER4OUTPUT	4
61824	UCSPLITTER8OUTPUT	4
61825	UCSWEEPMODDIMCCTWH	4

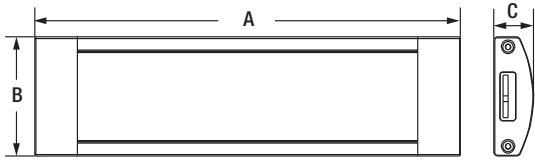
*Item Number 61820 – connector to be used as a linking cord between light bars.
 **Item Numbers 61821 and 61822 to be used when connecting splitters with light bars. Neither item number can be used as linking cord.

Photometric Information



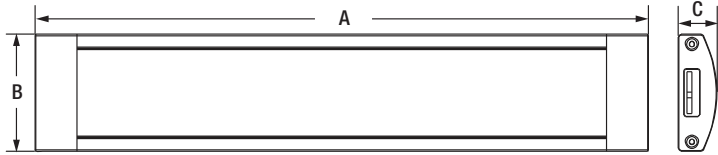
Physical Information

61848 - 6 Inch Light Bar

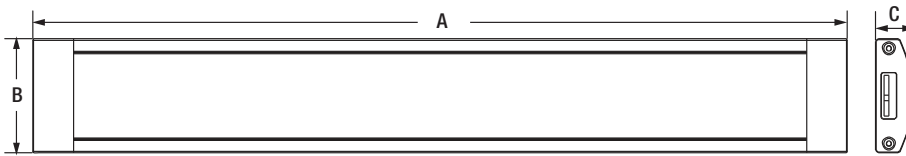


	(A) Length (inches)	(B) Width (inches)	(C) Height (inches)
UNDCAB0029TLSC66INWH	6	1.65	0.55
UNDCAB0039TLSC69INWH	9	1.65	0.55
UNDCAB0049TLSC612INWH	12	1.65	0.55
UNDCAB0069TLSC618INWH	18	1.65	0.55
UNDCAB0089TLSC624INWH	24	1.65	0.55
UNDCAB0109TLSC630INWH	30	1.65	0.55

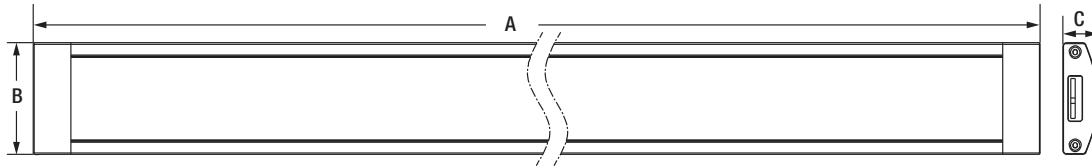
61851 & 61799 & 61866 - 9 Inch Light Bar



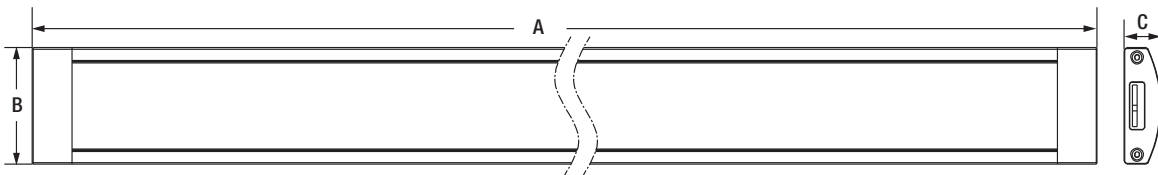
61854 & 61802 & 61869 - 12 Inch Light Bar



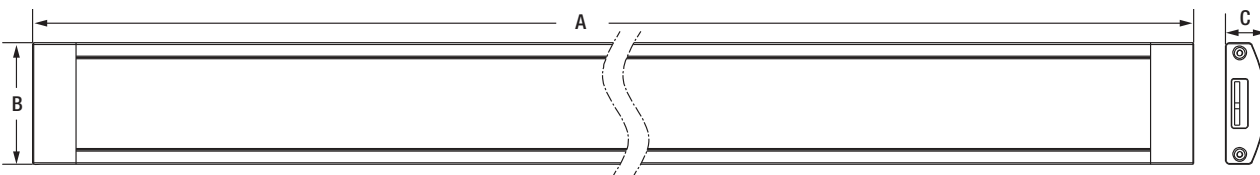
61857 - 18 Inch Light Bar



61860 & 61805 & 61872 - 24 Inch Light Bar



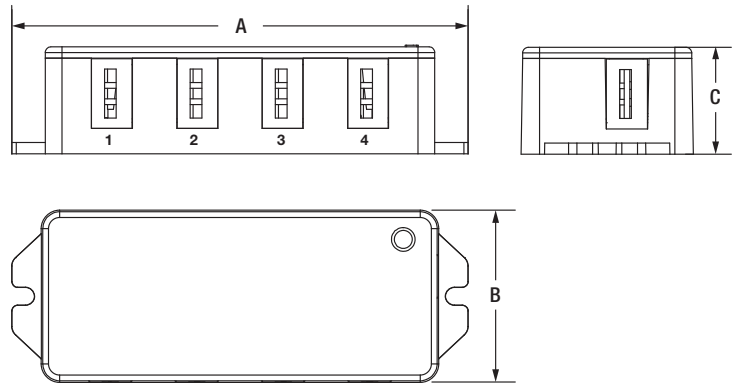
61863 - 30 inch Light Bar



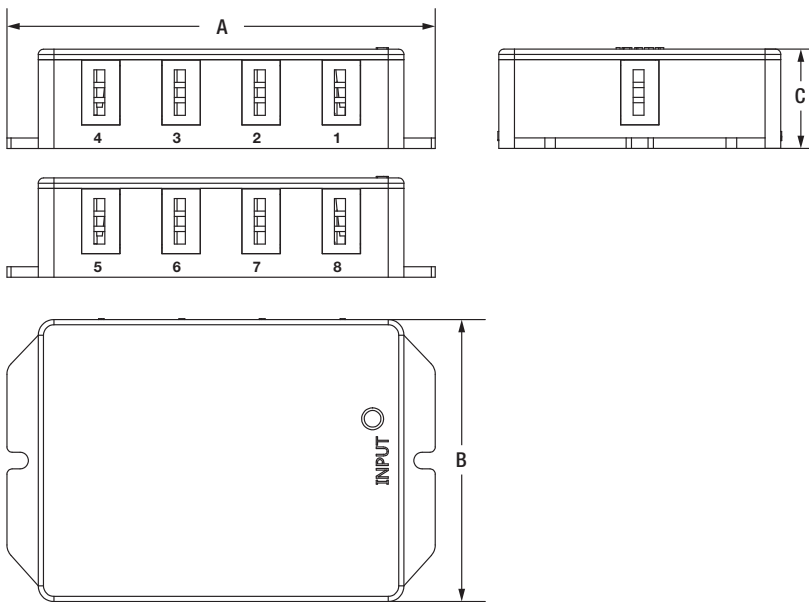
Physical Information (continued)

	(A) Length (inches)	(B) Width (inches)	(C) Height (inches)
UCSPITTER4OUTPUT	3.18	1.2	0.74
UCSPITTER8OUTPUT	3.18	2.12	0.74
UCSWEEPMODDIMCCTWH	1.96	1.65	0.55
UCLONGCONNSOLIDWH	2.09	1.65	0.55
UCSHORTCONNSOLIDWH	0.15	1.65	0.55
UCCORNERCONNSOLIDWH	1.96	1.96	0.55

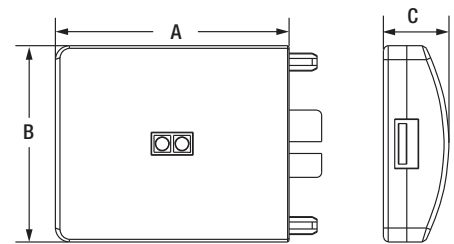
61823 - Splitter 4 Output



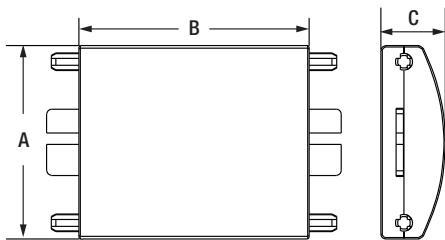
61824 - Splitter 8 Output



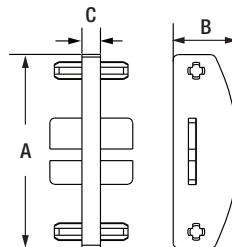
61825 - Sweep Sensor Module



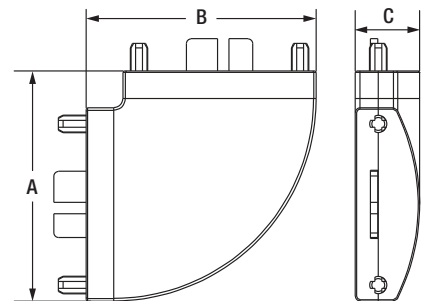
61811 - Solid Long Connector



61814 - Solid Short Connector



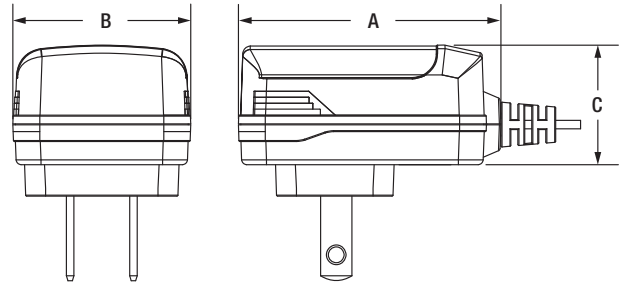
61817 - Corner Connector



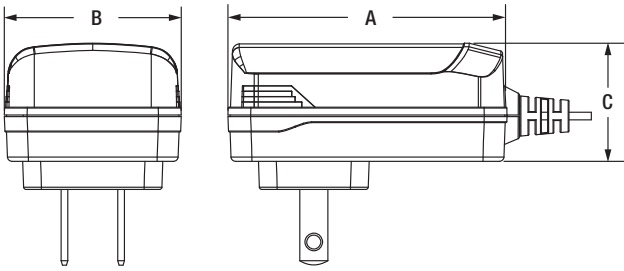
Physical Information (continued)

	(A) Length (inches)	(B) Width (inches)	(C) Height (inches)
UNDCAB06120PLGADAPT	2.07	1.4	1.86
UNDCAB12120PLGADAPT	2.57	1.56	1.96
UNDCAB24120PLGADAPT	3.03	1.85	1.18
UNDCAB24120DRIVER	5.1	1.7	0.82
UNDCAB50120DRIVER	8.2	1.88	0.9
UCWIRECONN6INCH	6	0.72	0.28
UCWIRECONN39INCH	39	0.44	0.28
UCWIRECONN78INCH	78	0.44	0.28

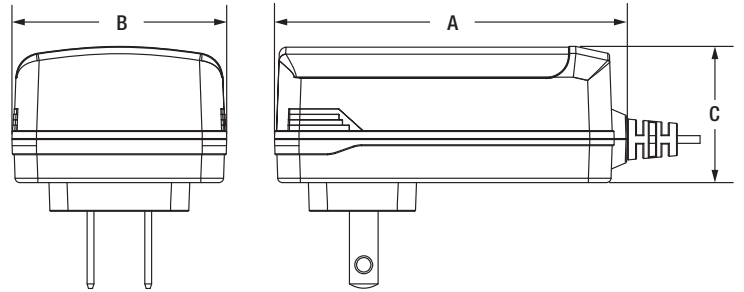
61808 - 6W Plug-In Adapter



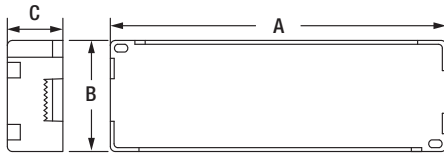
61809 - 12W Plug-In Adapter



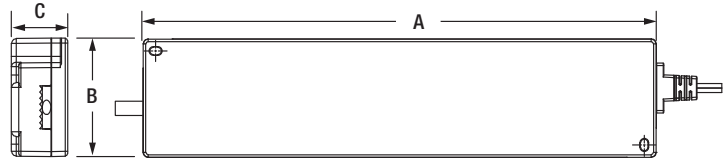
61810 - 24W Plug-In Adapter



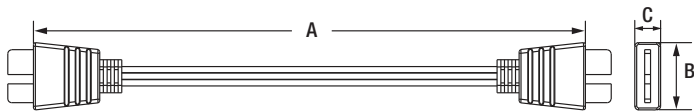
61797 - 24W In-Line Driver



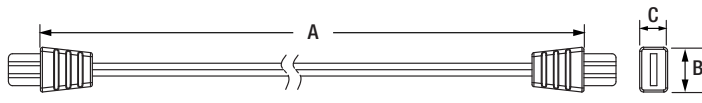
61798 - 50W In-Line Driver



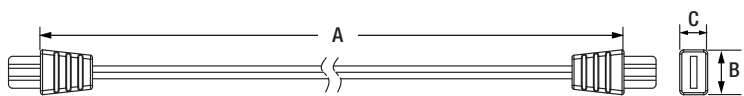
61820 - 6 Inch Wire Connector





















61821 - 39 Inch Wire Connector for Splitters

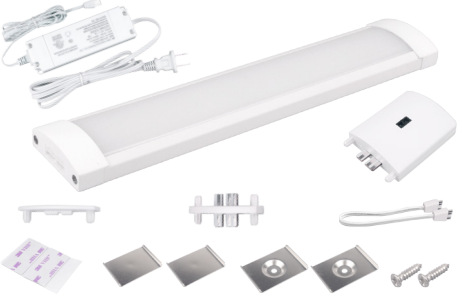




61822 - 78 Inch Wire Connector for Splitters



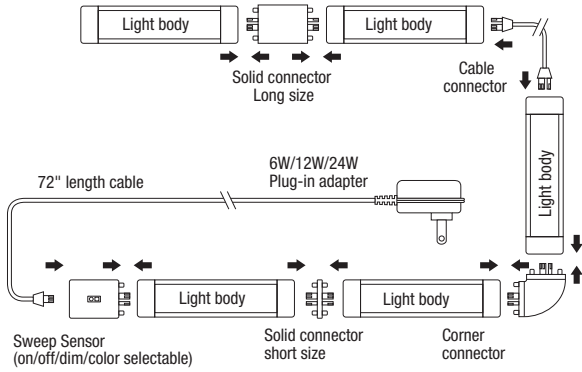
Family	Product images	NAED	Sales Text	What's included?
Driver		61797	UNDCAB24120DRIVER	In-line Driver 24W
		61798	UNDCAB50120DRIVER	In-line Driver 50W
Plug in adaptor		61808	UNDCAB06120PLGADAPT	Plug in adapter 6W
		61809	UNDCAB12120PLGADAPT	Plug in adapter 12W
		61810	UNDCAB24120PLGADAPT	Plug in adapter 24W
Connector		61811	UCLONGCONNSOLIDWH	Solid Long Connector
Connector		61814	UCSHORTCONNSOLIDWH	Solid Short Connector
Connector		61817	UCCORNERCONNSOLIDWH	Corner Connector
Connector		61820	UCWIRECONN6INCH	Wire Connector 6"
Connector		61821	UCWIRECONNSPLITTER39INCH	Wire Connector to connect with splitters 39"
		61822	UCWIRECONNSPLITTER78INCH	Wire Connector to connect with splitters 78"
Splitter		61823	UCSPLITTER4OUTPUT	Splitter 4 output
		61824	UCSPLITTER8OUTPUT	Splitter 8 output
Sweep Module		61825	UCSWEEPMODDIMCCTWH	Sweep Sensor module
Extension Kit (Light bar)		61848	UNDCAB0029TLSC66INWH	Cabinet Light bar 6" Brackets (magnet fix & screw fix) Screws 3M tape 6" wire connector Solid Short Connector End Protector cap
Extension Kit (Light bar)		61851	UNDCAB0039TLSC69INWH	Cabinet Light bar 9" Brackets (magnet fix & screw fix) Screws 3M tape 6" wire connector Solid Short Connector End Protector Cap
Extension Kit (Light bar)		61854	UNDCAB0049TLSC612INWH	Cabinet Light bar 12" Brackets (magnet fix & screw fix) Screws 3M tape 6" wire connector Solid Short Connector End Protector Cap

Family	Product images	NAED	Sales Text	What's included?
Extension Kit (Light bar)		61857	UNDCAB0069TLSC618INWH	Cabinet Light bar 18" Brackets (magnet fix & screw fix) Screws 3M tape 6" wire connector Solid Short Connector End Protector Cap
Extension Kit (Light bar)		61860	UNDCAB0089TLSC624INWH	Cabinet Light bar 24" Brackets (magnet fix & screw fix) Screws 3M tape 6" wire connector Solid Short Connector End Protector Cap
Extension Kit (Light bar)		61863	UNDCAB0109TLSC630INWH	Cabinet Light bar 30" Brackets (magnet fix & screw fix) Screws 3M tape 6" wire connector Solid Short Connector End Protector Cap
Starter Kit Consumer		61799	UCKIT003TL9SC69INPLUGWH	Starter Kit Consumer 9" Plug in Adapter (12W) Cabinet Light bar 9" Sweep Sensor Module Bracket (magnet fix & screw fix) Screws 3M tape 6" wire connector Solid Short Connector End Protector Cap
Starter Kit Consumer		61802	UCKIT004TL9SC612INPLUGWH	Starter Kit Consumer 12" Plug in Adapter (12W) Cabinet Light bar 12" Sweep Sensor Module Bracket (magnet fix & screw fix) Screws 3M tape 6" wire connector Solid Short Connector End Protector Cap
Starter Kit Consumer		61805	UCKIT008TL9SC624INPLUGWH	Starter Kit Consumer 24" Plug in Adapter (24W) Cabinet Light bar 24" Sweep Sensor Module Bracket (magnet fix & screw fix) Screws 3M tape 6" wire connector Solid Short Connector End Protector Cap

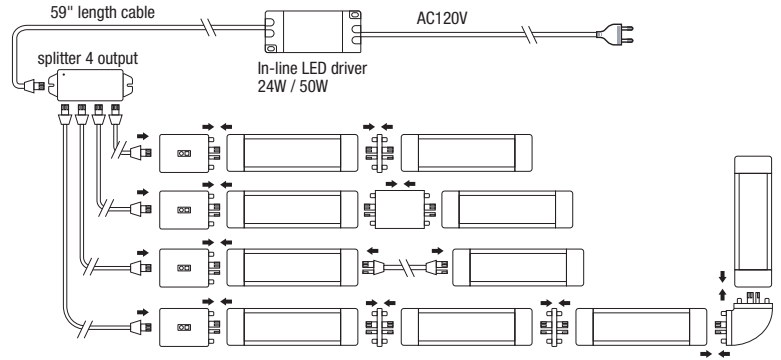
Family	Product images	NAED	Sales Text	What's included?
Starter Kit Professional		61866	UCKIT003TL9SC69INWH	Starter Kit Professional 9" In-line Driver (24W) Cabinet Light bar 9" Sweep Sensor Module Bracket (magnet fix & screw fix) Screws 3M tape 6" wire connector Solid Short Connector End Protector Cap
Starter Kit Professional		61869	UCKIT004TL9SC612INWH	Starter Kit Professional 12" In-line Driver (24W) Cabinet Light bar 12" Sweep Sensor Module Bracket (magnet fix & screw fix) Screws 3M tape 6" wire connector Solid Short Connector End Protector Cap
Starter Kit Professional		61872	UCKIT008TL9SC624INWH	Starter Kit Professional 24" In-line Driver (50W) Cabinet Light bar 24" Sweep Sensor Module Bracket (magnet fix & screw fix) Screws 3M tape 6" wire connector Solid Short Connector End Protector Cap

Installation Examples

A. Plug in Adapter

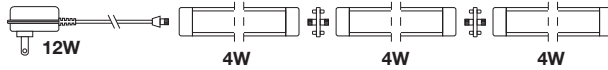


B. In-line Driver



C. Linkable Scenario

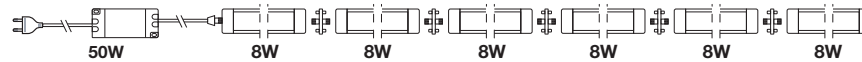
Example 1 (Using plug in adapter): 12W plug in adapter allows you to link until 3 light bars of 4W in the same circuit.



Example 2 (Using plug in adapter): 24W plug in adapter allows you to link until 6 light bars of 4W in the same circuit.



Example 3 (Using in-line driver): 50W in-line adapter allows you to link up to 6 light bars of 8W in the same circuit.



LEDVANCE LLC
 200 Ballardvale Street
 Wilmington, MA 01887 USA
 Phone 1-800-LIGHTBULB (1-800-544-4828)
 www.ledvanceUS.com

SYLVANIA and LEDVANCE are registered trademarks.
 All other trademarks are those of their respective owners.
 Licensee of product trademark SYLVANIA in general lighting.
 Specifications subject to change without notice.

/sylvania /sylvania

