

# SYLVANIA Luminaires

## UltraLED™ CCT Selectable Cutoff Wall Pack

### Application

The Wall Pack luminaires are environmentally preferable LED alternatives to traditional HID luminaires, offering up to 74% in energy savings. Ideal in place of traditional luminaires, or as new installations, the Wall Pack series is offered in several wattages/lumen packages for illuminating building exteriors, outdoor corridors, walkways, and stairwells.

### Benefits and Features

- DLC Premium listing and wattage and lumen selectability provide high energy efficacy and optimize this product for utility rebates
- Integral Photocontrol included
- Optional Emergency Battery Back-up on selected wattages
- Traditional sizes allow seamless replacement of existing luminaires
- IP65 rated body ensures a resilient and long-lasting product
- Up to 120 LPW
- Selectable 3000K, 4000K or 5000K color temperatures
- CRI >80
- Offered in 40, 60, 80 or 120 watts
- Energy savings up to 74%

### Electrical

- 120-277V<sub>AC</sub>, 120-347V<sub>AC</sub>, 347/480V<sub>AC</sub>
- Power Factor >90%
- THD <20%
- 0-10V dimmable

### Rated Life

- 150,000 hours (L<sub>70</sub>@25°C)

### Warranty

- 5-year
- NLB Trusted Warranty Program

### Ambient Operating Range

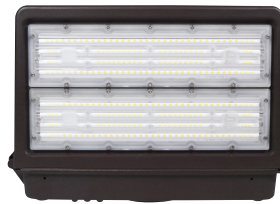
- -40°F to +122°F (-40°C to +50°C)
- +32°F to +122°F (0°C to +50°C) (Emergency Versions)

Item #
Type
Project
Notes
Date

40/60/80W



120W



### Wattage Comparison

Traditional Source	Traditional System Wattage	LED System Wattage	Energy Savings
70W HPS	91	40	56%
100W HPS	120	40	67%
100W MH	130	40	69%
150W HPS	170	60	65%
150W MH	188	60	68%
175W MH	210	60	71%
175W MH	210	80	62%
250W MH	290	80	72%
250W HPS	295	80	73%
320W MH	370	120	68%
400W HPS	464	120	74%
400W MH	458	120	74%

### Certifications and Listings

- cULus
- FCC
- RoHS
- DLC 5.1 Premium

### Installation

- Luminaire mounts to exterior wall.



## Ordering Guide

WALPAKC	5X	/ XXX	XXX	D	8	SC2	/ C1	/ BZ	/ XX
Product Name	Generation/Size*	Wattage	Voltage	Dimming	CRI	Color Temp	Distribution	Color/Finish	Options
WALPAKC =	5B, 5C	040 = 40 Watts	UNV = 120-277V	D = 0-10V	8 = >80	SC2 = 3000K, 4000K or 5000K	C1 = Type III	BZ = Bronze	P = Photocontrol PE = Photocontrol + Emergency Battery Back-up
Cutoff Wall Pack		060 = 60 Watts	UNH = 120-347V	dimming					
		080 = 80 Watts	DHV= 347/480V						
		120 = 120 Watts							

\*5B = 40, 60 or 80W  
5C = 120W only

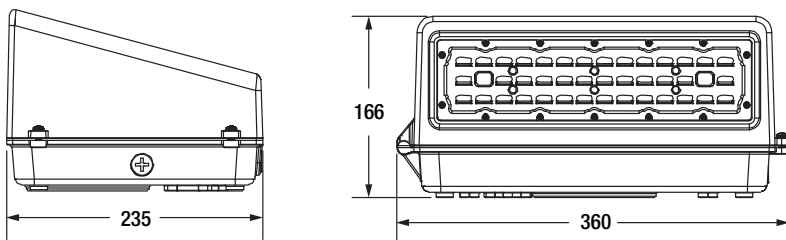
## Ordering Information

Item Number	Ordering Abbreviation	Wattage (W)	Input Voltage (V)	Dimming	CRI	Color Temperature (CCT)	Distribution	Total Fixture Lumens	LPW	Color	DLC	Option Included
61833	WALPAKC5B/040UNVD8SC2/C1/BZ/P	40	120-277	0-10V	>80	3000/4000/5000K	Type III	4800	120	Bronze	Premium	Photocontrol
61834	WALPAKC5B/060UNVD8SC2/C1/BZ/P	60	120-277	0-10V	>80	3000/4000/5000K	Type III	7200	120	Bronze	Premium	Photocontrol
61835	WALPAKC5B/080UNVD8SC2/C1/BZ/P	80	120-277	0-10V	>80	3000/4000/5000K	Type III	9600	120	Bronze	Premium	Photocontrol
61841	WALPAKC5C/120UNVD8SC2/C1/BZ/P	120	120-277	0-10V	>80	3000/4000/5000K	Type III	14,400	120	Bronze	Premium	Photocontrol
61836	WALPAKC5B/040UNVD8SC2/C1/BZ/PE	40	120-277	0-10V	>80	3000/4000/5000K	Type III	4800	120	Bronze	Premium	Photocontrol + Emergency Battery Back-up
61837	WALPAKC5B/060UNVD8SC2/C1/BZ/PE	60	120-277	0-10V	>80	3000/4000/5000K	Type III	7200	120	Bronze	Premium	Photocontrol + Emergency Battery Back-up
62892	WALPAKC5B/040UNHD8SC2/C1/BZ/P	40	120-347	0-10V	>80	3000/4000/5000K	Type III	4800	120	Bronze	Premium	Photocontrol
62894	WALPAKC5B/060UNHD8SC2/C1/BZ/P	60	120-347	0-10V	>80	3000/4000/5000K	Type III	7200	120	Bronze	Premium	Photocontrol
62896	WALPAKC5B/080DHVD8SC2/C1/BZ/P	80	347/480	0-10V	>80	3000/4000/5000K	Type III	9600	120	Bronze	Premium	Photocontrol
62897	WALPAKC5C/120DHVD8SC2/C1/BZ/P	120	347/480	0-10V	>80	3000/4000/5000K	Type III	14,400	120	Bronze	Premium	Photocontrol

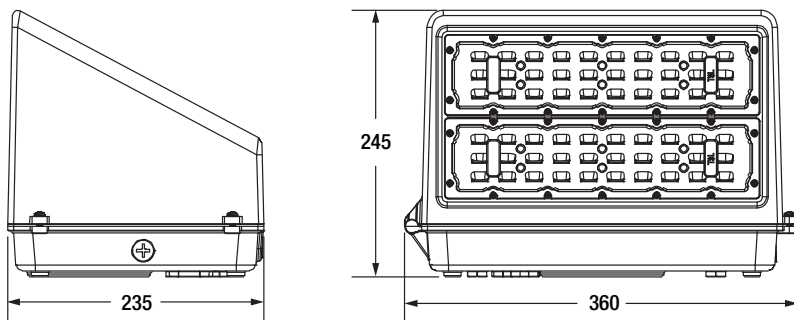
## Physical Information

Lamp Description	Length (inches)	Width (inches)	Height (inches)
40W	14.2	9.3	6.5
60W	14.2	9.3	6.5
80W	14.2	9.3	6.5
120W	14.2	9.3	9.6

### 40/60/80W




### 120W



Dimensions in mm

LEDVANCE LLC  
181 Ballardvale Street  
Wilmington, MA 01887 USA  
Phone 1-800-LIGHTBULB (1-800-544-4828)  
www.ledvanceUS.com

SYLVANIA and LEDVANCE are registered trademarks.  
All other trademarks are those of their respective owners.  
Licensee of product trademark SYLVANIA in general lighting.  
Specifications subject to change without notice.

 /sylvania  /sylvania

© 2022 LEDVANCE LLC

Name:	<input type="text"/>
Email:	<input type="text"/>
Phone:	<input type="text"/>

