

www.sylvania.com

SYLVANIA Luminaires Installation Guide - RETROFIT DOOR KIT



The Retrofit Door Kits are environmentally preferable LED alternatives for retrofitting traditional fluorescent lens troffer luminaires, offering up to 44% in energy savings. They are offered in two sizes and are ideal for illuminating offices, retail or hospitality areas.

For warranty coverage, please register at www.sylvania.com/warrantyregistration.

⚠ WARNING

PLEASE READ ALL INSTRUCTIONS BEFORE ATTEMPTING INSTALLATION

- TO PREVENT PERSONAL INJURY OR PRODUCT DAMAGE ONLY LICENSED ELECTRICIANS SHOULD PROVIDE ALL INSTALLATION SERVICES.
- TO AVOID ELECTRIC SHOCK OR COMPONENT DAMAGE DISCONNECT POWER BEFORE ATTEMPTING INSTALLATION OR SERVICING.
- RISK OF FIRE OR ELECTRIC SHOCK. LED RETROFIT KIT INSTALLATION REQUIRES KNOWLEDGE OF LUMINAIRES ELECTRICAL SYSTEMS. IF NOT QUALIFIED, DO NOT ATTEMPT INSTALLATION. CONTACT A QUALIFIED ELECTRICIAN.
- THIS PRODUCT MUST BE INSTALLED IN ACCORDANCE WITH THE NATIONAL ELECTRIC CODE (NEC) AND ALL APPLICABLE FEDERAL, STATE AND LOCAL ELECTRIC CODES AND SAFETY STANDARDS.
- USE CAUTION WHEN HANDLING THIS PRODUCT DURING OR AFTER OPERATION AS IT MAY BECOME HOT AND CAUSE BURNS. DISCONNECT PRODUCT AND ALLOW COOLING PRIOR TO SERVICING. ANY ALTERATION OR MODIFICATION OF THIS PRODUCT IS EXPRESSLY FORBIDDEN AS IT MAY CAUSE SERIOUS PERSONAL INJURY, DEATH, PROPERTY DAMAGE AND/OR PRODUCT MALFUNCTION.
- TO PREVENT PRODUCT MALFUNCTION AND / OR ELECTRICAL SHOCK THIS PRODUCT MUST BE PROPERLY GROUNDED.
- RISK OF FIRE OR ELECTRIC SHOCK. INSTALL THIS KIT ONLY IN THE LUMINAIRES THAT HAVE THE CONSTRUCTION FEATURES AND DIMENSIONS SHOWN IN THE PHOTOGRAPHS AND/OR DRAWINGS
- RISK OF FIRE OR ELECTRIC SHOCK. THE ELECTRICAL RATING OF THESE PRODUCTS ARE 120-277 VAC, THE INSTALLER MUST DETERMINE WHETHER THEY HAVE 120-277 V AT THE LUMINAIRE BEFORE INSTALLATION
- TO PREVENT WIRING DAMAGE OR ABRASION, DO NOT EXPOSE WIRING TO EDGES OF SHEET METAL OR OTHER SHARP OBJECTS
- THIS LUMINAIRE IS DESIGNED TO OPERATE IN AMBIENT TEMPERATURES RANGING FROM -4°F TO +104° F (-20°C TO +40° C).
- RISK OF FIRE OR ELECTRIC SHOCK. LUMINAIRE WIRING AND ELECTRICAL PARTS MAY BE DAMAGED WHEN DRILLING FOR INSTALLATION OF LED RETROFIT KIT. CHECK FOR ENCLOSED WIRING AND COMPONENTS

SYLVANIA

SAFETY PRECAUTIONS:

IMPORTANT: READ CAREFULLY BEFORE INSTALLING THE FIXTURE. RETAIN FOR FUTURE REFERENCE.

GENERAL: Upon receipt of the fixture, thoroughly inspect for any freight damage which should be brought to the attention of the delivery carrier.

INSTALLATION:

1. Prior to installation, disconnect all incoming power to fixture. Remove existing hardware (lens/lens frame, parabolic louver, reflectors/ballast covers, brackets, lamps/lamp holders). Leave supply and grounding leads.(Fig.1)
NOTE: Follow all federal and local regulations when disposing of lamps and removed components.
2. Install end brackets to each end of the fixture by gently lifting existing fixture and placing end brackets between the fixture and T-grid. If desired, secure the end brackets to the fixture using the provided #8x1/2" self-drilling screws.(Fig. 2)
3. Install side brackets between the fixture and T-grid. There are two tabs to allow for placing the side brackets into the slot of end brackets. (Fig.3)

A: End Bracket 2pcs
B: Side Bracket 2pcs
C: Retrofit body 1pc
D: Self-tapping screws 4pcs

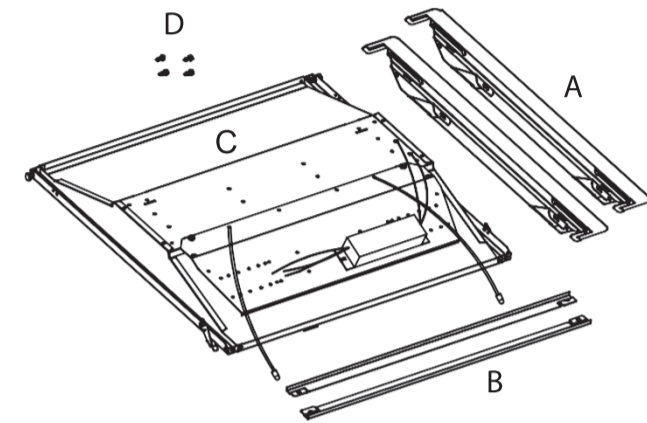


Figure 1

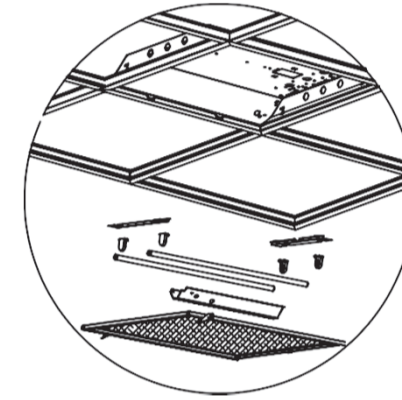


Figure 2

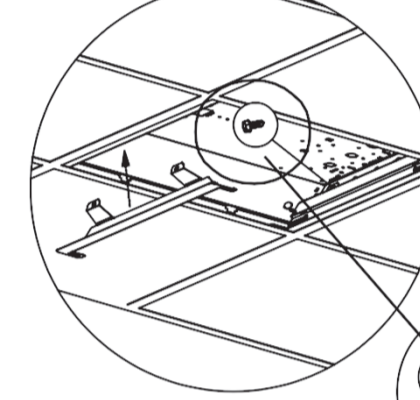
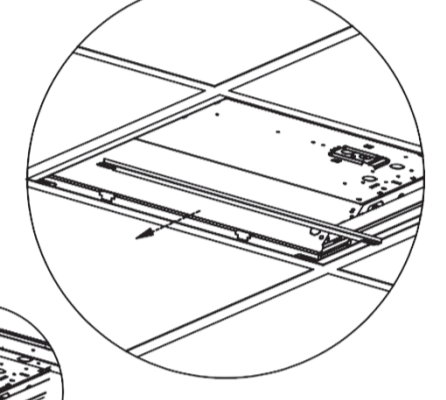


Figure 3

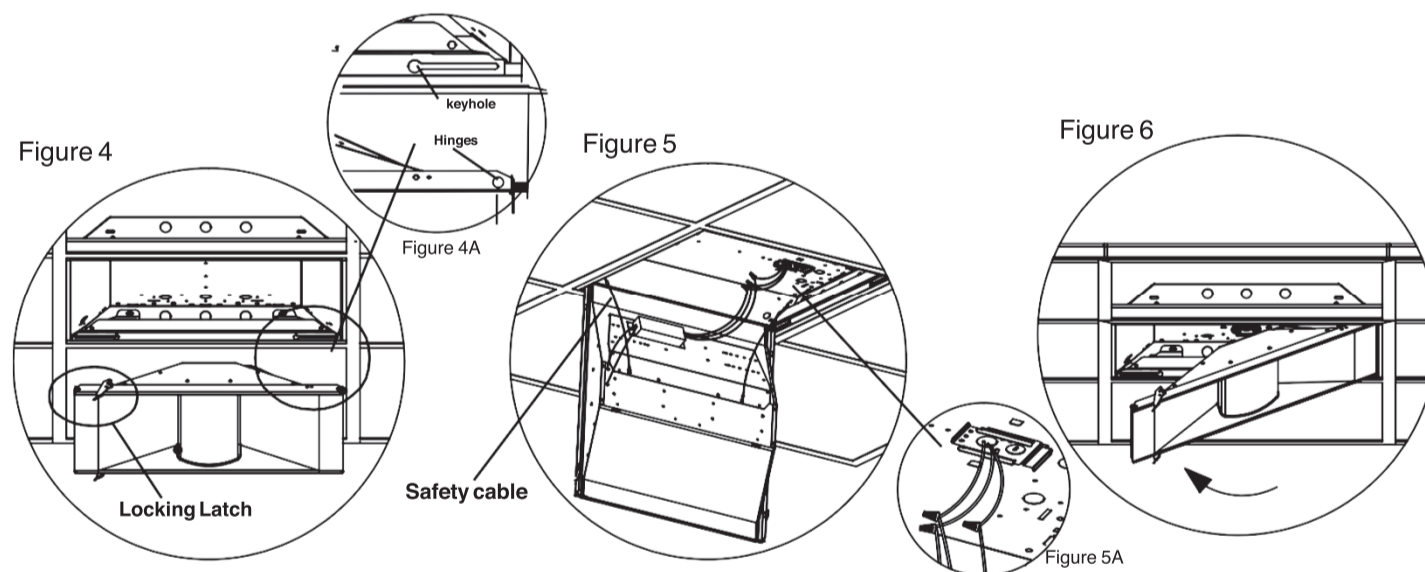


SYLVANIA

4. Place the retrofit body onto the keyholes of the two end brackets, then slide the door assembly body horizontally to the end of slots.(Fig.4)

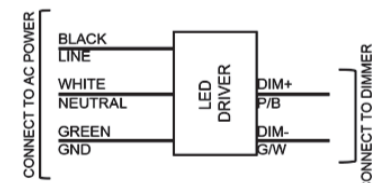
5. Connect the input wires per the electrical code

6. Hook the safety cables into the holes positioned on the opposite end of the end brackets.(Fig.5) Secure the retrofit body by locking the latches riveted on each end of the assembled door frame.(Fig.6)



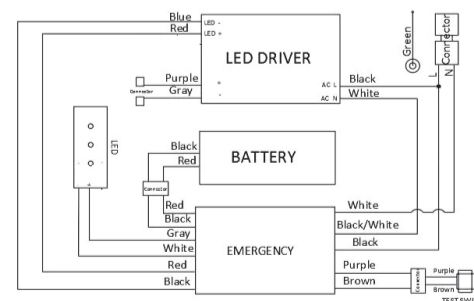
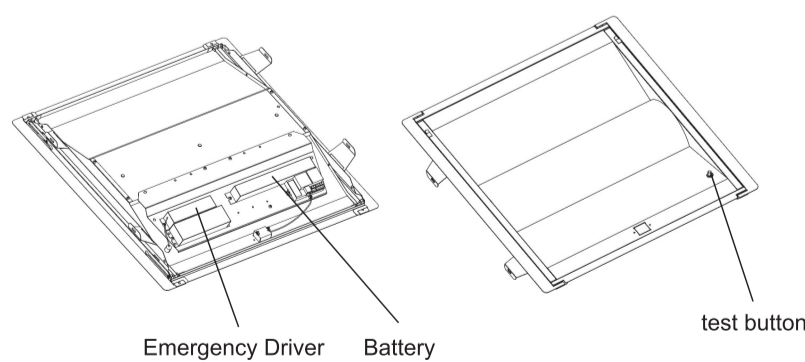
ADDING DIMMING CONTROL (provided by others):

This fixture is compatible with 0-10V output dimming controls. By using the 0-10V dimming, the light output can be adjusted from 10% - 100%. To get to 0% light output (OFF) it is necessary to disconnect the input power to the fixture. If the dimmer provided by others does not have this feature, this can easily be done by inserting a relay/switch between the line and load connectors inside the fixture. Connect dimmer or wall switch to dimming wires on driver. (See Wiring Diagram 2)



Additional Wiring Diagram

-Emergency Battery Back-up



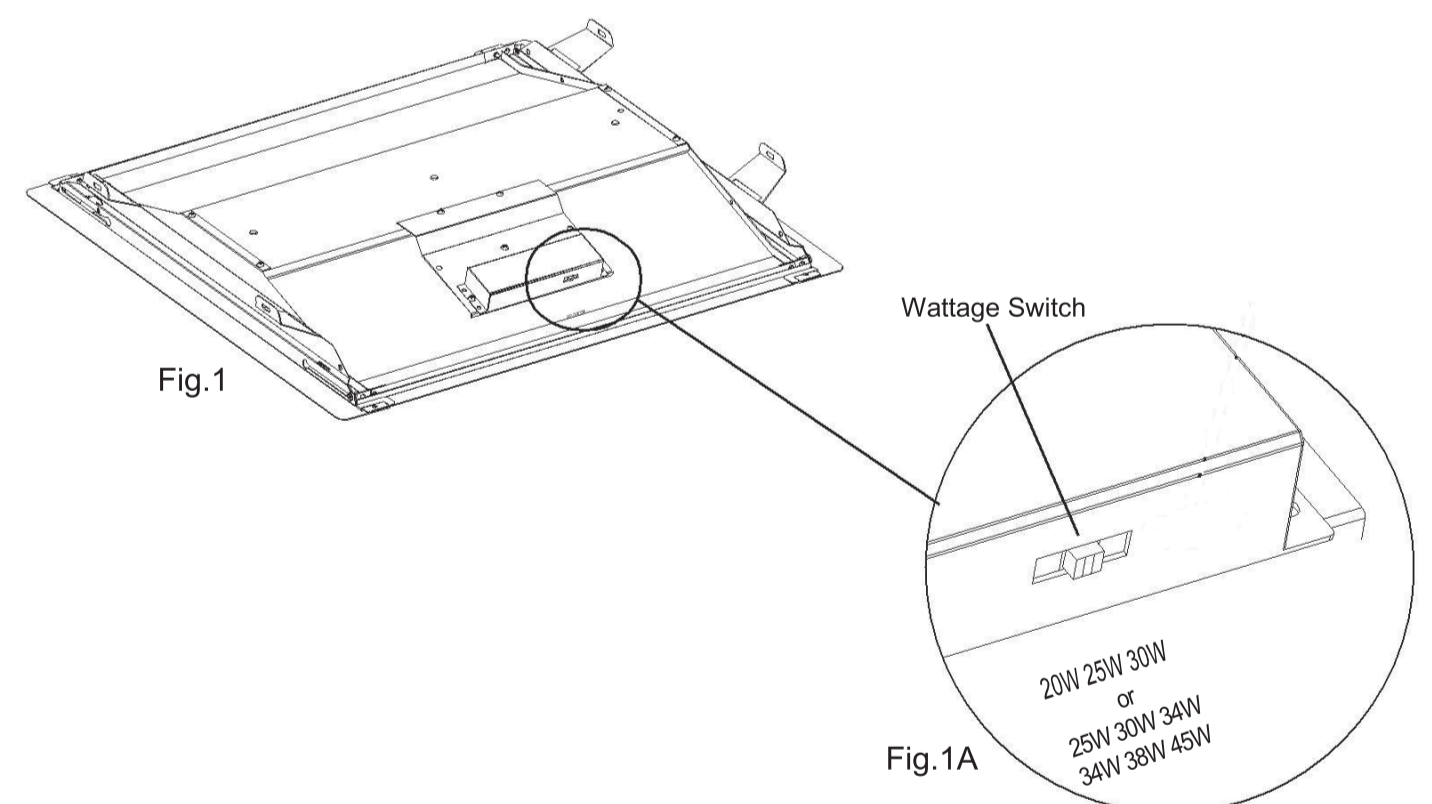
CLEANING AND MAINTENANCE

- To maintain the fixture efficacy occasional cleaning of the outer lens surface may be needed.
- Use a mild soap or detergent, which is essentially neutral pH (pH approximately 6 to 8), nonabrasive, and which contains no chlorinated or aromatic hydrocarbons.
- Wash thoroughly, using a soft cloth.
- Rinse with clean, cold water and wipe dry.

⚠ WARNING
Risk of electric shock
Disconnect power before servicing

SYLVANIA

Field-Adjustable Wattage



The end users may adjust the lumen output by the the DIP switch button integrated into the driver. The DIP switch is accommodated with 3 options (left, middle and right),corresponding to 3 powers, which can perform the desired lumen output.

1. DIP switches are located onto the drive box.(see Fig.1)
2. Select a wattage by sliding switch left or right to the desired value.(see Fig.1A)

TROUBLE SHOOTING CHECKLIST: If luminaire does not work

- Check your power source.
- Check electrical connections.

LEDVANCE LLC
200 Ballardvale Street
Wilmington, MA 01887