

www.sylvania.com

## SYLVANIA Luminaires Installation Guide –



Volumetric Troffers are environmentally preferable LED alternatives to traditional fluorescent lens troffer luminaires, offering up to 55% in energy savings. They are offered in two sizes and are ideal for illuminating offices, retail or hospitality areas.

For warranty coverage, please register at [www.sylvania.com/warrantyregistration](http://www.sylvania.com/warrantyregistration).

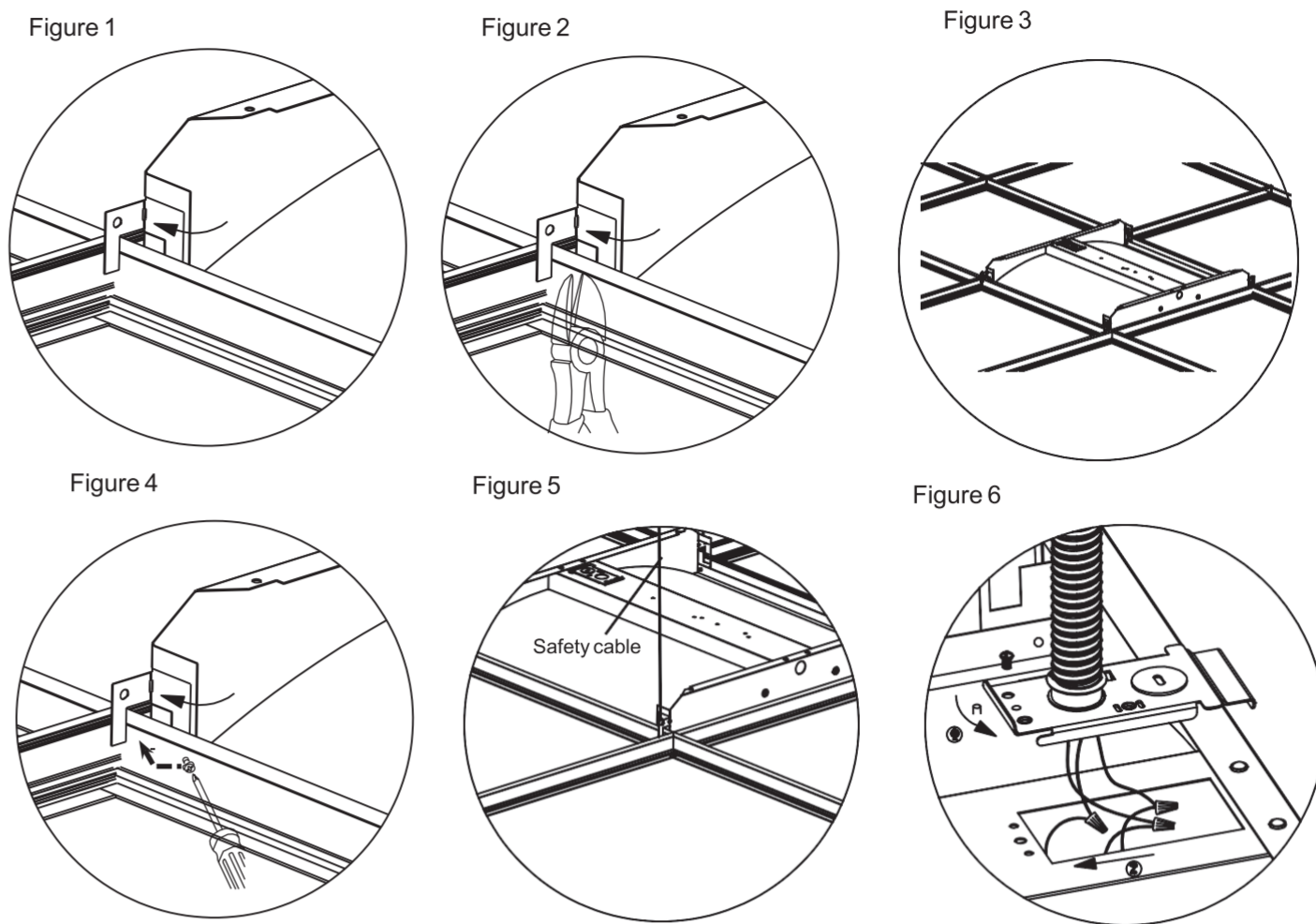
### WARNING

PLEASE READ ALL INSTRUCTIONS BEFORE ATTEMPTING INSTALLATION

- To reduce the risk of death, personal injury or property damage from fire, electric shock, falling parts, cuts/abrasions, and other hazards read all warnings and instructions included with and on the fixture box and all fixture labels.
- Before installing, servicing, or performing routine maintenance upon this equipment, follow these general precautions.
- Commercial installation, service and maintenance of luminaires should be performed by a qualified licensed electrician.
- For the installation: If you are unsure about the installation or maintenance of the luminaires, consult a qualified licensed electrician and check your local electrical code.
- To prevent wiring damage or abrasion, do not expose wiring to edges of sheet metal or other sharp objects.
- Do not make or alter any open holes in an enclosure of wiring or electrical components during kit installation.
- Turn off electrical power at fuse or circuit breaker box before wiring fixture to the power supply.
- Turn off the power when you perform any maintenance.
- Verify that supply voltage is correct by comparing it with the luminaire label information.
- All wiring connections should be capped with UL approved wire connectors.
- Avoid direct eye exposure to the light source while it is on.
- Account for small parts and destroy packing material, as these may be hazardous to children.
- Risk of burn. Disconnect power and allow fixture to cool before changing bulb or handling fixture.

SYLVANIA

## INSTALLATION:



### Installation Steps:

**Figure 1:** Bend out mounting tab 90 degrees on each corner

**Figure 2:** If needed use side cutters to adjust each tab to height of T-grid.

**Figure 3:** Lay fixture into T-gird grid. Bend tabs flush against T-grid in order to clear corner for ceiling tile.

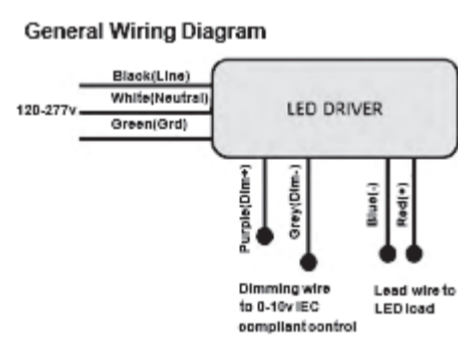
**Figure 4:** If needed use a #8x1/4" sheet metal screw to fasten fixture to T-grid

**Figure 5:** If needed use a hanger wire to tie off appropriately in accordance with local building codes(screws and hanger wires supplied by others).

**Figure 6:** Make all electrical connections to the fixture. Ensure that the wiring of the last fixture in the row is properly terminated. Attach the wiring access cover plate.

SYLVANIA

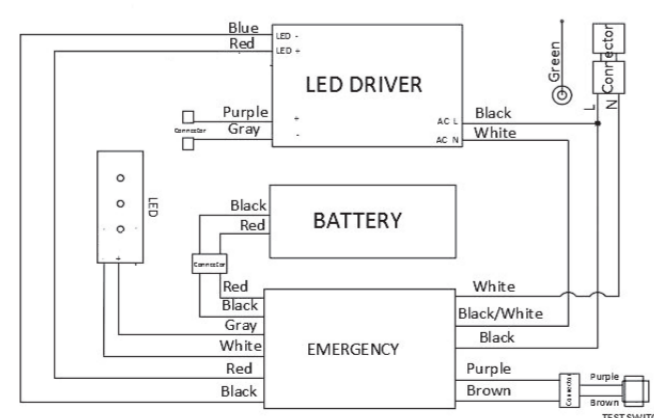
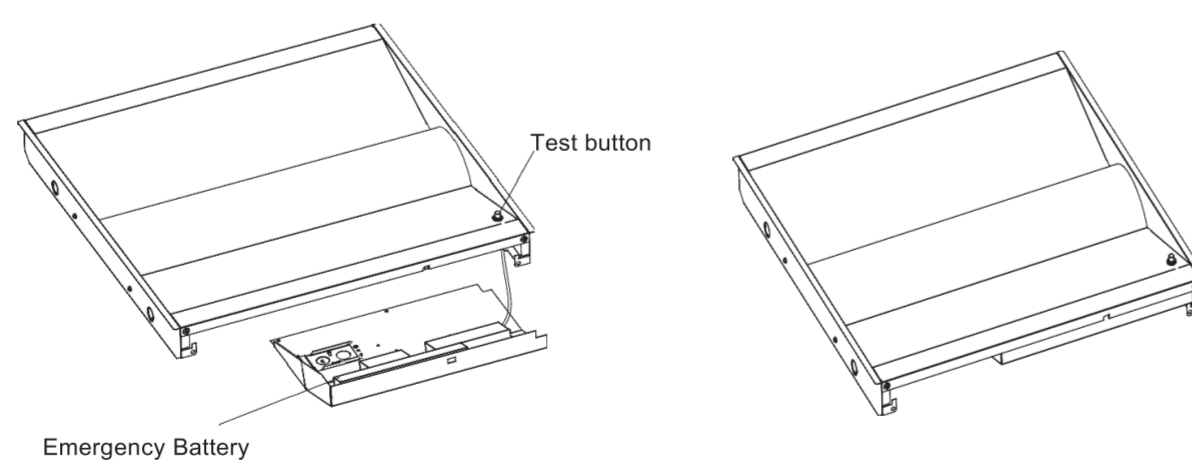
### Basic Wiring Diagrams:



- Green ground screw provided in proper location. Do not relocate.
- Minimum 90° supply conductors.
- Specifications and dimensions subject to change without notice.
- Suitable for Dry or Damp location, Type IC.

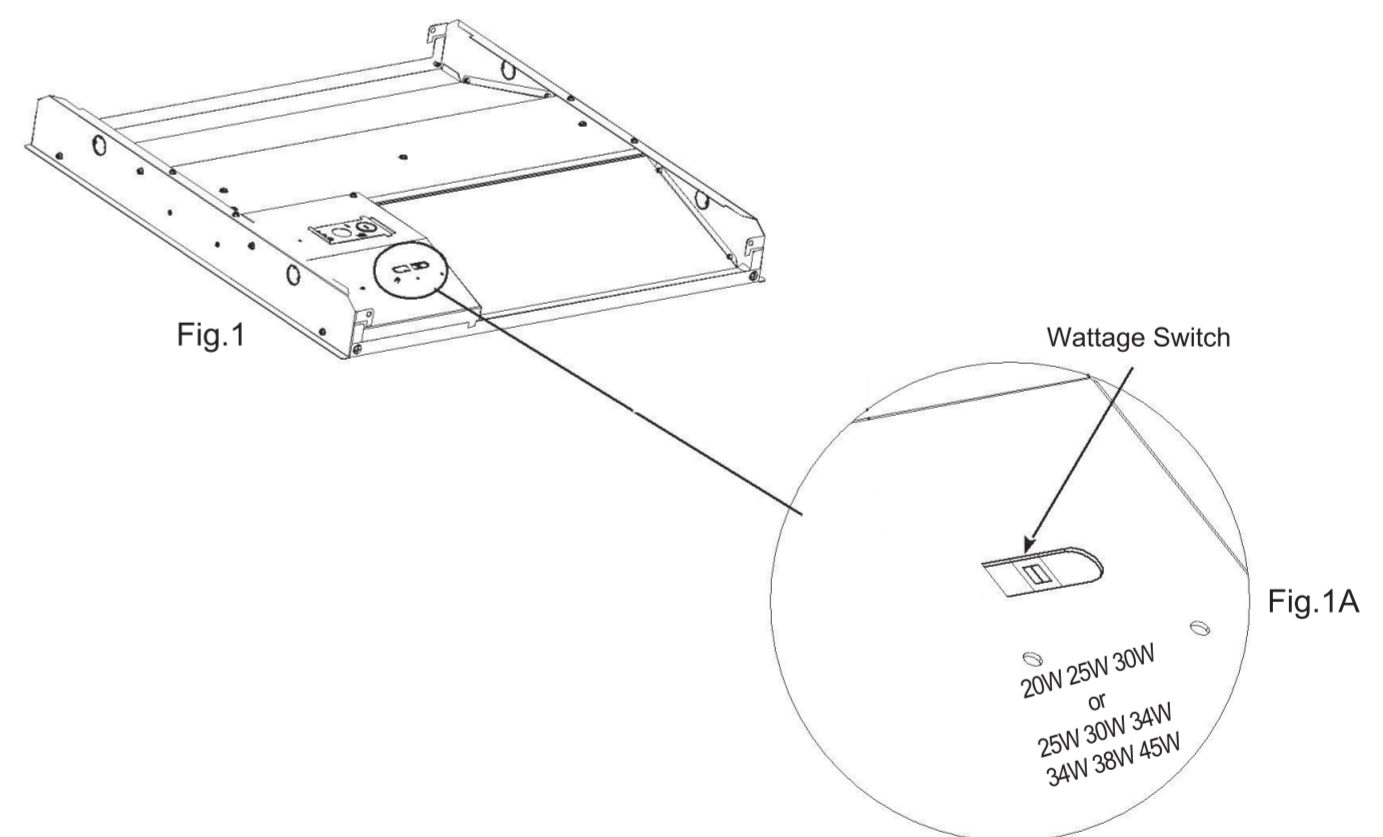
### Additional Wiring Diagrams:

#### Emergency Battery Back-up



SYLVANIA

### Field-Adjustable Wattage



The end users may adjust the lumen output by the the DIP switch button integrated into the driver. The DIP switch is accommodated with 3 options (left, middle and right), corresponding to 3 powers, which can perform the desired lumen output.

1. DIP switches are located onto the drive box.(see Fig.1)
2. Select a wattage by sliding switch left or right to the desired value.(see Fig.1A)

### TROUBLE SHOOTING CHECKLIST: If luminaire does not work

- Check your power source.
- Check electrical connections.

LEDVANCE LLC  
200 Ballardvale Street  
Wilmington, MA 01887