

SYLVANIA Luminaires

ValueLED™ Strip Retrofit

Application

Ideal in fluorescent strip retrofit applications including: retail, manufacturing, warehouse, office, education, and other low bay applications.

Benefits and Features

- Offers a cost-effective and energy efficient retrofit for fluorescent strip fixtures
- Attaches to standard 4.25" to 5.25" wide fluorescent strip bodies
- Available in 4ft or 8ft kits
- DLC Premium listing for all models maximizes rebate opportunities
- Easy installation
- Up to 136 LPW
- 3500K, 4000K, and 5000K color temperatures
- CRI >80
- Offered in 25, 30, 46, and 54 watts
- Energy savings up to 72%
- Emergency battery back-up versions available

Electrical

- 120-277 V_{AC}
- Power Factor >90%
- THD <20%
- 0-10V dimmable down to 10%

Rated Life

- Life rating of ≥150,000 hours (at L₇₀ at 40°C)

Warranty

- 5-year

Ambient Operating Range

- -4°F to +122°F (-20°C to +50°C)

Certifications and Listings

- cULus
- RoHS
- FCC
- DLC

Item #
Type
Project
Notes
Date



Wattage Comparison

Traditional Source	Traditional System Wattage	LED System Wattage	Energy Savings
2x28W Fluorescent	49	25	49%
2x32W Fluorescent	56	25	55%
3x28W Fluorescent	64	30	53%
3x32W Fluorescent	75	30	60%
4x28W Fluorescent	97	30	69%
4x32W Fluorescent	108	30	72%
1x96W Fluorescent	86	46	47%
2x96W Fluorescent	172	54	69%

Installation

- Luminaire is intended for retrofit applications over existing 4' and 8' fluorescent strip fixtures



Ordering Guide

RSTRIP	1A	/	XX	UNV	D	8	XX	/	XX	U	/	WH
Product Name	Generation		Wattage	Voltage	Dimming	CRI	Color Temp (CCT)		Length	Mounting		Color/Finish
RSTRIP =	1A		25 = 25 Watts	UNV = 120-277V	D = 0-10V	8 = >80	35 = 3500K		48 = 48 inches	U = Universal		WH = White
Retrofit Strip			30 = 30 Watts				40 = 4000K		96 = 96 inches	Mounting		
			46 = 46 Watts				50 = 5000K					
			54 = 54 Watts									

Ordering Information

Item Number	Ordering Abbreviation	Wattage	Input Voltage	Dimming	CRI	Color Temp	Total Fixture Lumens	LPW	Length (inches)	DLC	Options
61471	RSTRIP1A/025UNVD835/48U/WH	25	120-277	0-10V	80	3500K	3250	130	48	Prm	–
61472	RSTRIP1A/025UNVD840/48U/WH	25	120-277	0-10V	80	4000K	3300	132	48	Prm	–
61473	RSTRIP1A/025UNVD850/48U/WH	25	120-277	0-10V	80	5000K	3325	133	48	Prm	–
61474	RSTRIP1A/030UNVD835/48U/WH	30	120-277	0-10V	80	3500K	3960	132	48	Prm	–
61475	RSTRIP1A/030UNVD840/48U/WH	30	120-277	0-10V	80	4000K	4020	134	48	Prm	–
61476	RSTRIP1A/030UNVD850/48U/WH	30	120-277	0-10V	80	5000K	4080	136	48	Prm	–
61477	RSTRIP1A/046UNVD835/96U/WH	46	120-277	0-10V	80	3500K	5980	130	96	Prm	–
61478	RSTRIP1A/046UNVD840/96U/WH	46	120-277	0-10V	80	4000K	6070	132	96	Prm	–
61479	RSTRIP1A/046UNVD850/96U/WH	46	120-277	0-10V	80	5000K	6115	133	96	Prm	–
61480	RSTRIP1A/054UNVD835/96U/WH	54	120-277	0-10V	80	3500K	7125	132	96	Prm	–
61481	RSTRIP1A/054UNVD840/96U/WH	54	120-277	0-10V	80	4000K	7230	134	96	Prm	–
61482	RSTRIP1A/054UNVD850/96U/WH	54	120-277	0-10V	80	5000K	7340	136	96	Prm	–
61483	RSTRIP1A/025UNVD835/48U/WH/E	25	120-277	0-10V	80	3500K	3250	130	48	Prm	Emergency
61484	RSTRIP1A/025UNVD840/48U/WH/E	25	120-277	0-10V	80	4000K	3300	132	48	Prm	Emergency
61485	RSTRIP1A/025UNVD850/48U/WH/E	25	120-277	0-10V	80	5000K	3325	133	48	Prm	Emergency
61486	RSTRIP1A/030UNVD835/48U/WH/E	30	120-277	0-10V	80	3500K	3960	132	48	Prm	Emergency
61487	RSTRIP1A/030UNVD840/48U/WH/E	30	120-277	0-10V	80	4000K	4020	134	48	Prm	Emergency
61488	RSTRIP1A/030UNVD850/48U/WH/E	30	120-277	0-10V	80	5000K	4080	136	48	Prm	Emergency
61489	RSTRIP1A/046UNVD835/96U/WH/E	46	120-277	0-10V	80	3500K	5980	130	96	Prm	Emergency
61490	RSTRIP1A/046UNVD840/96U/WH/E	46	120-277	0-10V	80	4000K	6070	132	96	Prm	Emergency
61491	RSTRIP1A/046UNVD850/96U/WH/E	46	120-277	0-10V	80	5000K	6115	133	96	Prm	Emergency
61492	RSTRIP1A/054UNVD835/96U/WH/E	54	120-277	0-10V	80	3500K	7125	132	96	Prm	Emergency
61493	RSTRIP1A/054UNVD840/96U/WH/E	54	120-277	0-10V	80	4000K	7230	134	96	Prm	Emergency
61494	RSTRIP1A/054UNVD850/96U/WH/E	54	120-277	0-10V	80	5000K	7340	136	96	Prm	Emergency

Photometric Data

Average Illuminance (FC) at 30" AFF and avg/min uniformity
80/50/20 Reflectances*

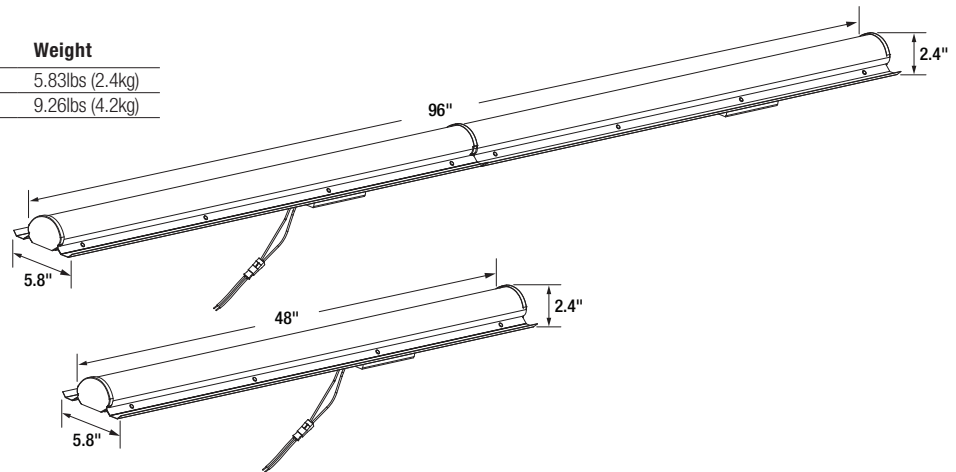
	7 ft Mounting Height			10 ft Mounting Height			13 ft Mounting Height		
	On Center Luminaire Spacing								
	8'x10'	10'x10'	10'x12'	8'x10'	10'x10'	10'x12'	8'x10'	10'x10'	10'x12'
4 ft 25W	39.1fc/1.4	32.6fc/1.2	29.5fc/1.8	38.3fc/1.5	32fc/1.4	28.1fc/1.3	35.8fc/1.6	29.9fc/1.5	26.1fc/1.3
4 ft 30W	50.7fc/1.4	41.6fc/1.2	36.7fc/1.7	48.2fc/1.5	40.2fc/1.4	35fc/1.3	44.9fc/1.6	37.4fc/1.5	32.6fc/1.2
8 ft 46W	77.8fc/1.4	66.4fc/1.2	61.1fc/1.9	75.6fc/1.5	63.4fc/1.4	55.6fc/1.4	70.8fc/1.6	59.2fc/1.5	51.6fc/1.3
8 ft 54W	100.8fc/1.3	86.3fc/1.2	76.2fc/1.8	95.3fc/1.5	80fc/1.4	69.7fc/1.3	89.4fc/1.6	74.5fc/1.5	64.8fc/1.3

	12 ft Mounting Height*			16 ft Mounting Height*			20 ft Mounting Height*		
	Continuous Rows								
	16ft	18ft	20ft	16ft	18ft	20ft	16ft	18ft	20ft
4 ft 25W or 8ft 46W	47fc/1.8	46.2fc/1.5	44.6fc/1.6	43.3fc/1.7	42.5fc/1.5	40.9fc/1.4	39.8fc/1.7	39fc/1.5	37.5fc/1.4
4 ft 30W or 8ft 54W	59fc/1.8	57.9fc/1.5	56.1fc/1.6	54.4fc/1.7	53.3fc/1.5	51.4fc/1.4	50fc/1.6	49fc/1.5	47.1fc/1.4

*Continuous rows within a room with no objects or obstructions.

Physical Information

Luminaire Description	Length	Width	Height	Weight
4 foot	48"	5.8"	2.4"	5.83lbs (2.4kg)
8 foot	96"	5.8"	2.4"	9.26lbs (4.2kg)



Sensor Information

Recommended Sensor: Wattstopper™ FSP-2x1B Series

Note: Sensors must be attached to existing linear strip body. Please reference the compatibility document (LEDLUM012) for further information.

Emergency Battery Backup

Minimum to 10% of rated wattage in backup mode >90 minutes.

LEDVANCE LLC
200 Ballardvale Street
Wilmington, MA 01887 USA
Phone 1-800-LIGHTBULB (1-800-544-4828)
www.sylvania.com

SYLVANIA and LEDVANCE are registered trademarks.
All other trademarks are those of their respective owners.
Licensee of product trademark SYLVANIA in general lighting.
Specifications subject to change without notice.



/sylvania



/sylvania

Name: _____

Email: _____

Phone: _____

