

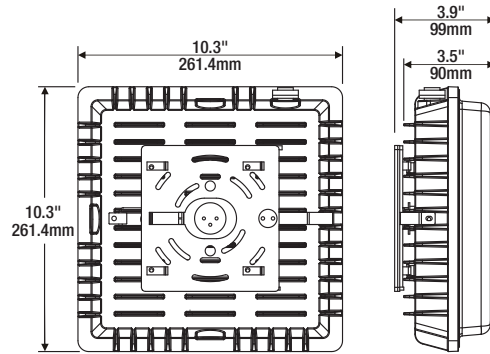
SYLVANIA Luminaires

10" Canopy



Catalog #	Type
Project	
Notes	
Date	
Prepared by	

Dimensions



Product Features

- Slim, lightweight design
- Easy to install with hinged mounting plate
- Durable housing with an IP66 rating
- Energy savings of up to 79% compared to traditional sources
- High efficacy meets DLC requirements

Wattage Comparison Chart

Traditional Source	Traditional System Wattage	LED System Wattage	Energy Savings
35W HPS	42	20	52%
50W HPS	62	20	68%
70W HPS	91	20	67%
70W HPS	91	40	56%
100W HPS	120	40	67%
100W MH	130	40	69%
150W HPS	170	40	76%
150W MH	188	40	79%
150W HPS	170	55	68%
150W MH	188	55	71%
175W MH	210	55	74%

Specifications

Weight: 5.7 lbs (2.3kg)

Construction: Die Cast aluminum housing with powder coat paint. The standard colors are bronze or white.

LED System: LED system with a life rating of >150,000 hours at L₇₀ @ 25°C. Luminaire efficacy up to 127 LPW.

Electrical: Offered in 20, 40, and 55 watts, the luminaire is designed to operate through the 120-277 V_{AC} universal voltage range. Offered in 40 and 55 watts, the luminaire is designed to operate at the 347 V_{AC} voltage range. The LED driver is a constant current device. The power factor is ≥90% and THD is ≤20%.

Color Characteristics: CRI >70; CCT of 4000K or 5000K.

Optics: Type V distribution with UV resistant polycarbonate lens.

Installation: Luminaire mounts to recessed outlet box or can be pendant mounted (accessories not included).

Operating Temperature: -40°F to +122°F (-40°C to +50°C).

Listings: cULus classified to UL1598 rated for wet locations. IP66 rated. DLC Premium listed for fuel pump canopy applications.

Warranty: Standard 5-year luminaire warranty (LEDLUM001).

Note: Specifications subject to change without notice. IES files available online.



Ordering Guide

Item Number:

CANOPY	3A	/	XXX	XXX	7	XX	/	10S	5	/	XX
Product Name	Generation 3A		Wattage (UNV) 020 = 20 Watts 040 = 40 Watts 055 = 55 Watts	Voltage UNV = 120-277V 347 = 347V	CRI 7 = >80	Color Temp (CCT) 40 = 4000K 50 = 5000K		Shape 10S = 10" Square	Distribution 5 = Type V		Color Finish BZ = Bronze WH = White
CANOPY			Wattage (347V) 040 = 40 Watts 055 = 55 Watts								



Ordering Information

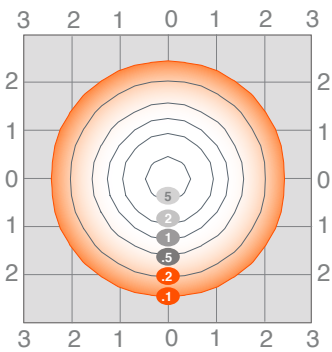


Item Number	Ordering Abbreviation	Finish	Wattage	Voltage	CRI	CCT	Lumens	LPW*	DLC**	MTO***
60151	CANOPY3A/020UNV740/10S5/WH	White	20	120-277	>70	4000K	2000	110	Std	
60152	CANOPY3A/020UNV750/10S5/WH	White	20	120-277	>70	5000K	2000	110	Std	
60153	CANOPY3A/040UNV740/10S5/WH	White	40	120-277	>70	4000K	4700	125	Std	
60154	CANOPY3A/040UNV750/10S5/WH	White	40	120-277	>70	5000K	4700	125	Std	
60559	CANOPY3A/040347740/10S5/WH	White	40	347	>70	4000K	4700	125	Std	MTO
60560	CANOPY3A/040347750/10S5/WH	White	40	347	>70	5000K	4700	125	Std	MTO
60155	CANOPY3A/055UNV740/10S5/WH	White	55	120-277	>70	4000K	6800	127	Std	
60156	CANOPY3A/055UNV750/10S5/WH	White	55	120-277	>70	5000K	6800	127	Std	
60561	CANOPY3A/055347740/10S5/WH	White	55	347	>70	4000K	6800	127	Std	MTO
60562	CANOPY3A/055347750/10S5/WH	White	55	347	>70	5000K	6800	127	Std	MTO
60157	CANOPY3A/020UNV740/10S5/BZ	Bronze	20	120-277	>70	4000K	2000	110	Std	
60158	CANOPY3A/020UNV750/10S5/BZ	Bronze	20	120-277	>70	5000K	2000	110	Std	
60159	CANOPY3A/040UNV740/10S5/BZ	Bronze	40	120-277	>70	4000K	4700	125	Std	
60160	CANOPY3A/040UNV750/10S5/BZ	Bronze	40	120-277	>70	5000K	4700	125	Std	
60555	CANOPY3A/040347740/10S5/BZ	Bronze	40	347	>70	4000K	4700	125	Std	MTO
60556	CANOPY3A/040347750/10S5/BZ	Bronze	40	347	>70	5000K	4700	125	Std	MTO
60161	CANOPY3A/055UNV740/10S5/BZ	Bronze	55	120-277	>70	4000K	6800	127	Std	
60162	CANOPY3A/055UNV750/10S5/BZ	Bronze	55	120-277	>70	5000K	6800	127	Std	
60557	CANOPY3A/055347740/10S5/BZ	Bronze	55	347	>70	4000K	6800	127	Std	MTO
60558	CANOPY3A/055347750/10S5/BZ	Bronze	55	347	>70	5000K	6800	127	Std	MTO

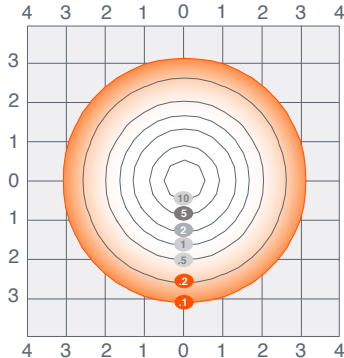
*LPW per LM79 report
 **Std for DLC Standard
 ***Made To Order

Photometric Data

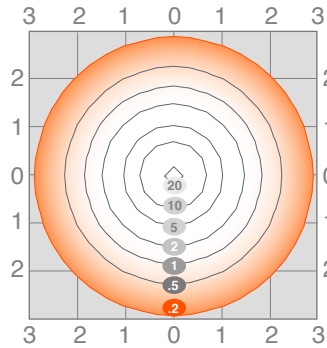
20W CANOPY3A/020UNV740/10S5
 Isofootcandle Lines at 10' Mounting Height



40W CANOPY3A/040UNV740/10S5
 Isofootcandle Lines at 10' Mounting Height



55W CANOPY3A/055UNV740/10S5
 Isofootcandle Lines at 10' Mounting Height

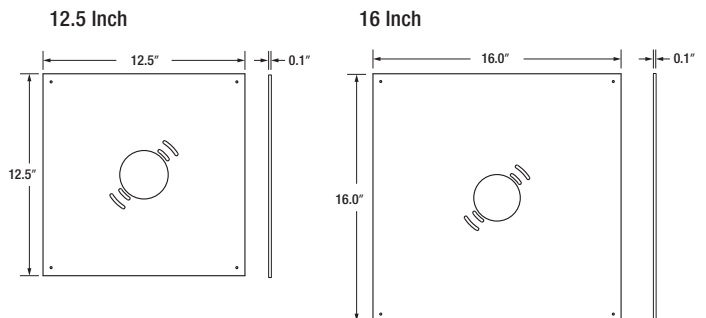


For other mounting heights apply the following multipliers:

Mounting Height	6'	8'	10'	12'	15'
Multiplier	2.8	1.6	1.00	0.69	0.44

Mounting Accessories

Item Number	Ordering Abbreviation	Item Description
60683	CANOPY3A/MTGPLATE/12/BZ	12.5" Mounting Plate, Bronze
60684	CANOPY3A/MTGPLATE/16/BZ	16" Mounting Plate, Bronze
60685	CANOPY3A/MTGPLATE/12/WH	12.5" Mounting Plate, White
60686	CANOPY3A/MTGPLATE/16/WH	16" Mounting Plate, White
61396	EMBBBOX2A/8W/DC/BZ	8W Emergency battery backup with IP65 rated junction box (test button included)



LEDVANCE LLC
 200 Ballardvale Street
 Wilmington, MA 01887 USA
 Phone 1-800-LIGHTBULB (1-800-544-4828)
 www.sylvania.com

SYLVANIA and LEDVANCE are registered trademarks.
 All other trademarks are those of their respective owners.
 Licensee of product trademark SYLVANIA in general lighting.
 Specifications subject to change without notice.

[/sylvania](https://www.facebook.com/sylvania) [/sylvania](https://www.instagram.com/sylvania)

