

# SYLVANIA Luminaires

## ValueLED™ Area Light 3A

### Application

The SYLVANIA ValueLED Area Light 3A luminaires are the perfect alternative to traditional lighting technologies, offering a variety of solutions to illuminate parking lots, parking garage roofs and general area lighting.

### Benefits and Features

- IP65 rated body offered in a modern and sleek design
- Each luminaire ships with a universal mounting accessory for round/square pole mounting and tenon mounting
- DLC Premium listed to maximize rebate opportunities
- Integrated 3 pin photocontrol receptacle compatible with Standard NEMA photo cell. Shorting cap included
- Up to 135 LPW
- 4000K and 5000K color temperatures
- CRI >70
- Offered in 150 and 300 watts
- Type III and V distribution
- Energy savings up to 73%

### Electrical

- 120-277V<sub>AC</sub>
- Power Factor >90%
- THD <20%
- 0-10V dimmable

### Optical

- Lens is polycarbonate

### Rated Life

- 100,000 hours (L<sub>70</sub>) @25°C

### Warranty

- 5-year

### Ambient Operating Range

- -40°F to +102°F (-40°C to +40°C)

Item #
Type
Project
Notes
Date



### Wattage Comparison

Traditional Source	Traditional System Wattage	LED System Wattage	Energy Savings
250W MH	290W	150W	48%
250W HPS	295W	150W	49%
320W MH	370W	150W	59%
750W HPS	820W	300W	63%
750W MH	840W	300W	64%
1000W MH	1080W	300W	72%
1000W HPS	1100W	300W	73%

### Certifications and Listings

- cULus
- RoHS
- FCC
- IP65
- DLC Premium

### Installation

- Each luminaire ships with a universal mounting accessory for round/square pole mounting



## Ordering Guide

AREAFLD	3A	/	XXX	/	XXX	D	7	XX	/	TX	/	BZ
Product Name	Generation		Wattage		Voltage	Dimming	CRI	Color Temp		Distribution		Color / Finish
AREAFLD =	3A = Generation 3A		150 = 150 Watts		UNV = 120-277V	D = 0-10V	CRI = >70	40 = 4000K		T3 = Type III		BZ = Bronze
Area Floodlight Luminaire			300 = 300 Watts					50 = 5000K		T5 = Type V		

## Ordering Information

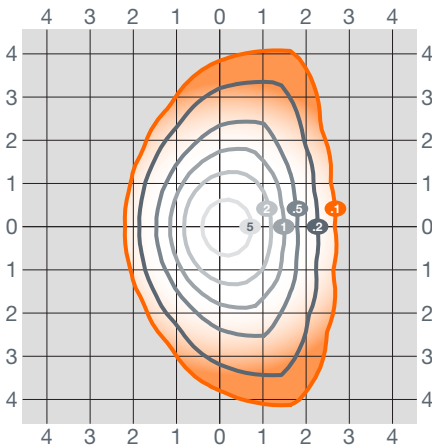
Item Number	Ordering Abbreviation	Wattage (W)	Input Voltage (V)	Dimming	CRI	Color Temperature (CCT)	Distribution	Total Fixture Lumens	LPW*	DLC	BUG Rating
61316	AREAFLD3A/150UNVD740/T3/BZ	150	120-277V	0-10V	> 70	4000K	III	20,000	135	Prm	B3-U0-G3
61317	AREAFLD3A/150UNVD740/T5/BZ	150	120-277V	0-10V	> 70	4000K	V	20,000	135	Prm	B3-U0-G3
61318	AREAFLD3A/150UNVD750/T3/BZ	150	120-277V	0-10V	> 70	5000K	III	20,000	135	Prm	B3-U0-G3
61319	AREAFLD3A/150UNVD750/T5/BZ	150	120-277V	0-10V	> 70	5000K	V	20,000	135	Prm	B3-U0-G3
61320	AREAFLD3A/300UNVD740/T3/BZ	300	120-277V	0-10V	> 70	4000K	III	40,000	135	Prm	B4-U0-G5
61321	AREAFLD3A/300UNVD740/T5/BZ	300	120-277V	0-10V	> 70	4000K	V	40,000	135	Prm	B4-U0-G5
61322	AREAFLD3A/300UNVD750/T3/BZ	300	120-277V	0-10V	> 70	5000K	III	40,000	135	Prm	B4-U0-G5
61323	AREAFLD3A/300UNVD750/T5/BZ	300	120-277V	0-10V	> 70	5000K	V	40,000	135	Prm	B4-U0-G5

\*Lumens and LPW are based on 5000K CCT.

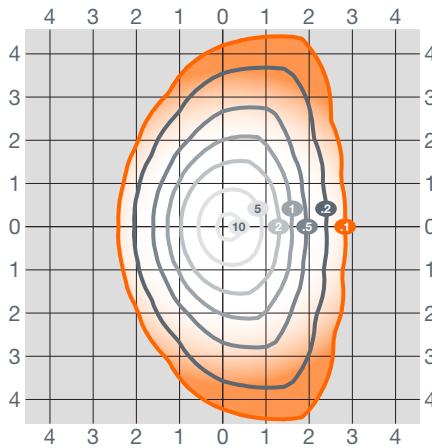
## Photometric Information

Mounted at 15' at a 15° angle

### 150W Type III Distribution

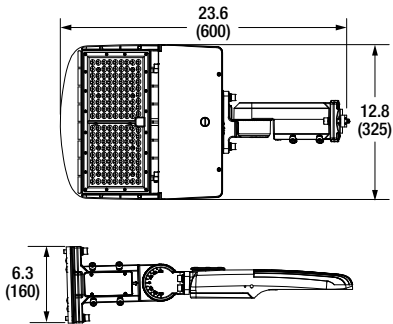


### 300W Type III Distribution

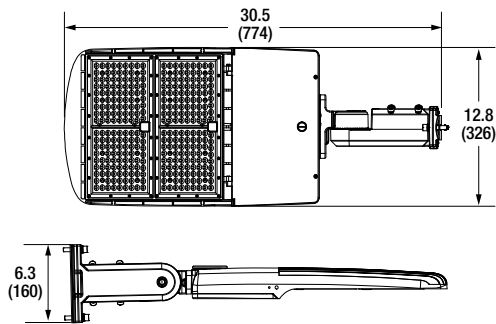


## Physical Information

### 150W



### 300W



Dimensions in inches (mm)

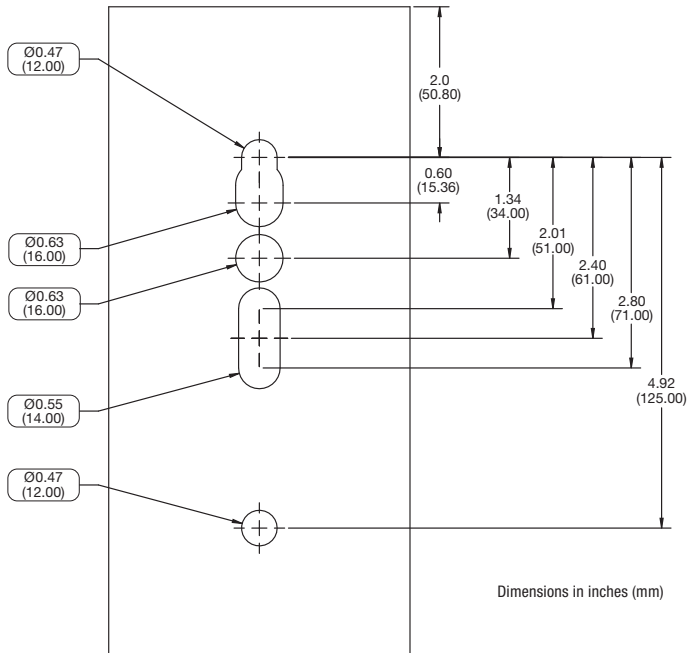
## Accessories

### NEMA Photocontrols

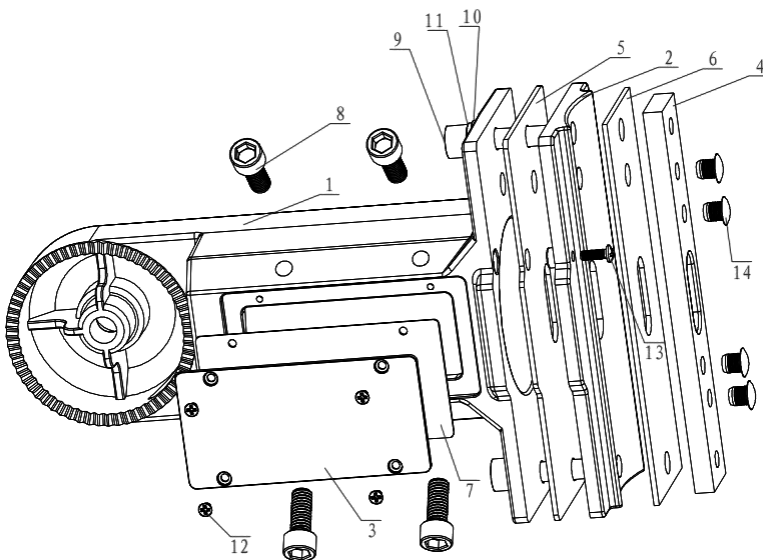
61393 AREAFDXA/NEMAPHOTOCELL/UNV NEMA locking photocell, 120-277V

## Mounting

### Drill Pattern for Pole Mounting



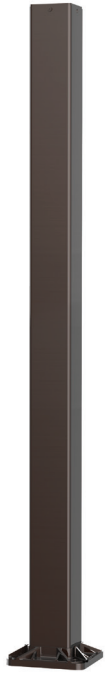
### Universal Bracket



### Legend

1	Universal bracket
2	Bracket conversion
3	Bracket junction box cover
4	Bracket fixed iron bar
5	Bracket silicone pad 1
6	Bracket silicone pad 2
7	Bracket silicone pad 3
8	Hexagon socket machine screw M8*50
9	Hexagon socket machine screw M8*25
10	Screw flat washer
11	Open spring pad
12	Screw KM3*6MM
13	Screw M4*18MM
14	M8 rubber stopper

## Poles

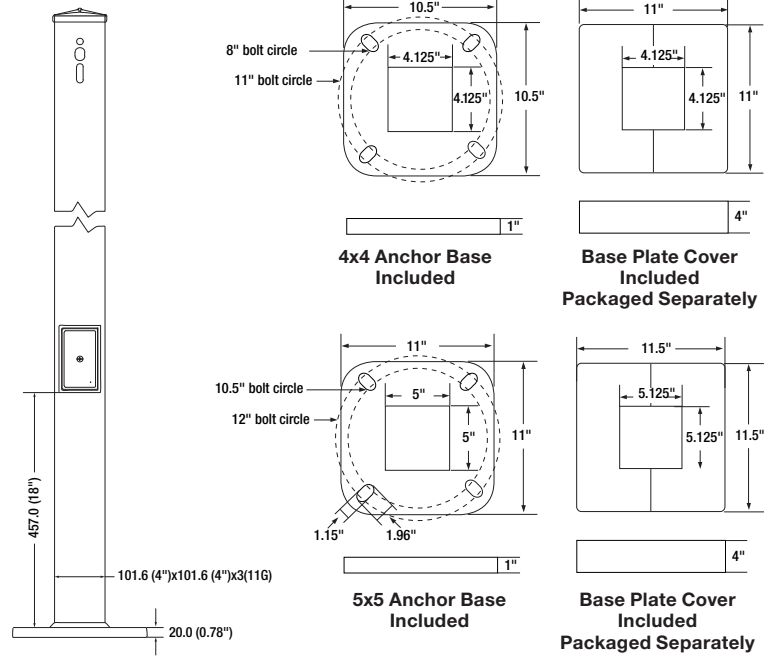


### Product Features

- Poles available in six heights: 12', 15', 17', 20', 25', and 30'
- 12'-25' poles are 4" square; 30' pole is 5" square
- 12'-25' poles are 11 gauge, while 30' poles are offered in 7 and 11 gauge
- Fabricated from the highest grade structural steel

### Specifications

- Square steel pole with powder coat paint. The standard color is bronze
- Polycarbonate spring loaded top cover
- Pre-drilled mounting holes on all 4 sides with Polycarbonate grommets
- Reinforced 2.5" x 4.5" cast iron hand-hole with ground screw included
- Easily secured base cover included
- Bolt circle template included



## Ordering Guide (Poles)

POLESQS	2A	/	XX	/	XXG	/	XXIN	/	BZ
Product Name	Generation		Height		Gauge		Size		Finish
POLESQS =	2A		12 = 12 feet		11G = 11		4IN = 4 inches		Bronze
Square Straight Pole			15 = 15 feet		07G = 7		5IN = 5 inches		
			17 = 17 feet						
			20 = 20 feet						
			25 = 25 feet						
			30 = 30 feet						

## Ordering Information (Poles)

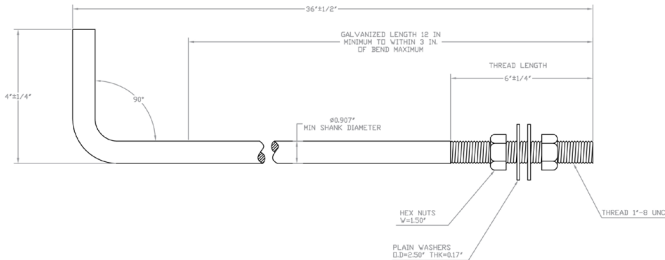
Item Number	Ordering Abbreviation	Shape	Height (ft)	Gauge (in)	Size (in)	Finish
62306	POLESQS2A/12/11G/4IN/BZ	SquareStraight	12	11	4	Bronze
62307	POLESQS2A/15/11G/4IN/BZ	SquareStraight	15	11	4	Bronze
62308	POLESQS2A/17/11G/4IN/BZ	SquareStraight	17	11	4	Bronze
62309	POLESQS2A/20/11G/4IN/BZ	SquareStraight	20	11	4	Bronze
62310	POLESQS2A/25/11G/4IN/BZ	SquareStraight	25	11	4	Bronze
62311	POLESQS2A/30/11G/5IN/BZ	SquareStraight	30	11	5	Bronze
62312	POLESQS2A/30/07G/5IN/BZ	SquareStraight	30	7	5	Bronze

## Ordering Information (Accessories)

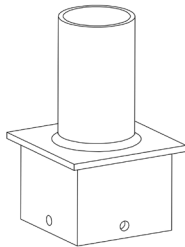
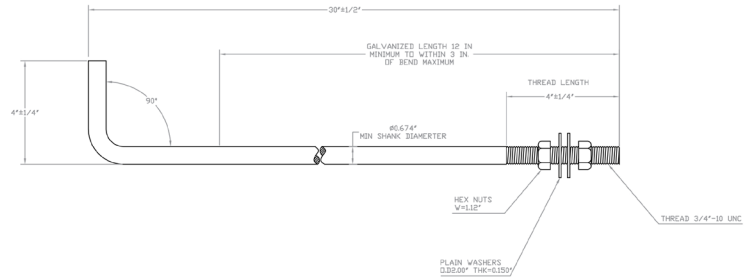
Item Number	Ordering Abbreviation	Description	Compatibility
60665	POLESQS1A/ANJBOLTKIT/304	3/4" x 30" Anchor Bolt Kit (set of 4 bolts)	Compatible with 62306, 62307, 62308, 62309 and 62310
60666	POLESQS1A/ANJBOLTKIT/364	1" x 36" Anchor Bolt Kit (set of 4 bolts)	Compatible with 62311 and 62312
60667	POLESQS1A/TENON/4IN/BZ	4" Tenon Mount, Bronze Finish	For use with 62306, 62307, 62308, 62309 and 62310
60668	POLESQS1A/TENON/5IN/BZ	5" Tenon Mount, Bronze Finish	For use with 62311 and 62312
65013	POLESQS1A/DBLTENON/4IN/BZ	4" Double Tenon Bracket, Bronze Finish	For use with 62306, 62307, 62308, 62309 and 62310
65014	POLESQS1A/DBLTENON/5IN/BZ	5" Double Tenon Bracket, Bronze Finish	For use with 62311 and 62312
65015	POLESQS1A/DBLBULLHORN/4IN/BZ	4" Double Bullhorn Bracket, Bronze Finish	For use with 62306, 62307, 62308, 62309 and 62310
65016	POLESQS1A/DBLBULLHORN/5IN/BZ	5" Double Bullhorn Bracket, Bronze Finish	For use with 62311 and 62312
60845	POLESQS1A/TPLBULLHORN/4IN/BZ	4" Triple Bullhorn Bracket, Bronze Finish	For use with 62306, 62307, 62308, 62309 and 62310
60846	POLESQS1A/TPLBULLHORN/5IN/BZ	5" Triple Bullhorn Bracket, Bronze Finish	For use with 62311 and 62312
65112	POLESQS1A/QUADTENON/4IN/BZ	4" Quad Tenon Bracket, Bronze Finish	For use with 62306, 62307, 62308, 62309 and 62310
65113	POLESQS1A/QUADTENON/5IN/BZ	5" Quad Tenon Bracket, Bronze Finish	For use with 62311 and 62312

For further information and to learn more about utility rebates, contact your local SYLVANIA sales representative.

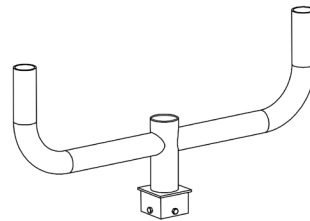
### NAED 60665 – 3/4" x 30"



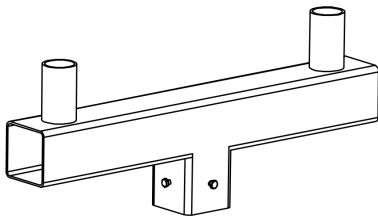
### NAED 60666 – 1" x 36"



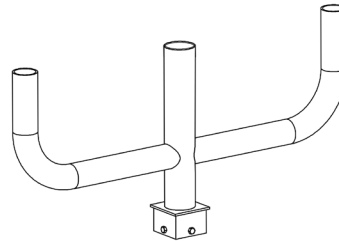
**Tenon**  
NAED 60667 – 4 inch  
NAED 60668 – 5 inch



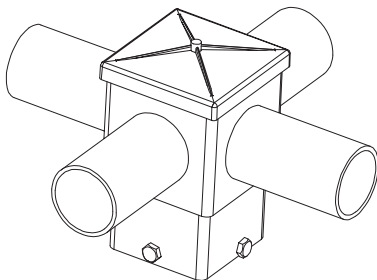
**Double Bullhorn**  
NAED 65015 – 4 inch  
NAED 65016 – 5 inch



**Double Tenon**  
NAED 65013 – 4 inch  
NAED 65014 – 5 inch



**Triple Bullhorn**  
NAED 60845 – 4 inch  
NAED 60846 – 5 inch



**Quad Tenon**  
NAED 65112 – 4 inch  
NAED 65113 – 5 inch

## Allowable Wind Loading

Ordering Abbreviation	Mounting Height (ft)	90 MPH	100 MPH	110 MPH	120 MPH	130 MPH	150 MPH	Anchor Bolt	
		EPA (ft <sup>2</sup> )	EPA (ft <sup>2</sup> )	EPA (ft <sup>2</sup> )	EPA (ft <sup>2</sup> )	EPA (ft <sup>2</sup> )	EPA (ft <sup>2</sup> )	Diameter (in)	Length (in)
62306	12	12	12	12	12	9.2	6.8	0.75	30
62307	15	12	12	12	9.8	7.8	4.9	0.75	30
62308	17	12	12	9.9	7.6	5.9	3.3	0.75	30
62309	20	12	9.1	6.7	4.8	3.4	1.3	0.75	30
62310	25	7	4.6	2.7	1.3	0.3	–	0.75	30
62311	30	5.6	2.7	0.6	–	–	–	1	36
62312	30	11.7	7.8	4.8	2.5	0.8	–	1	36

## Pole Loading

Model	EPA (ft <sup>2</sup> )
150W	0.47
300W	0.62

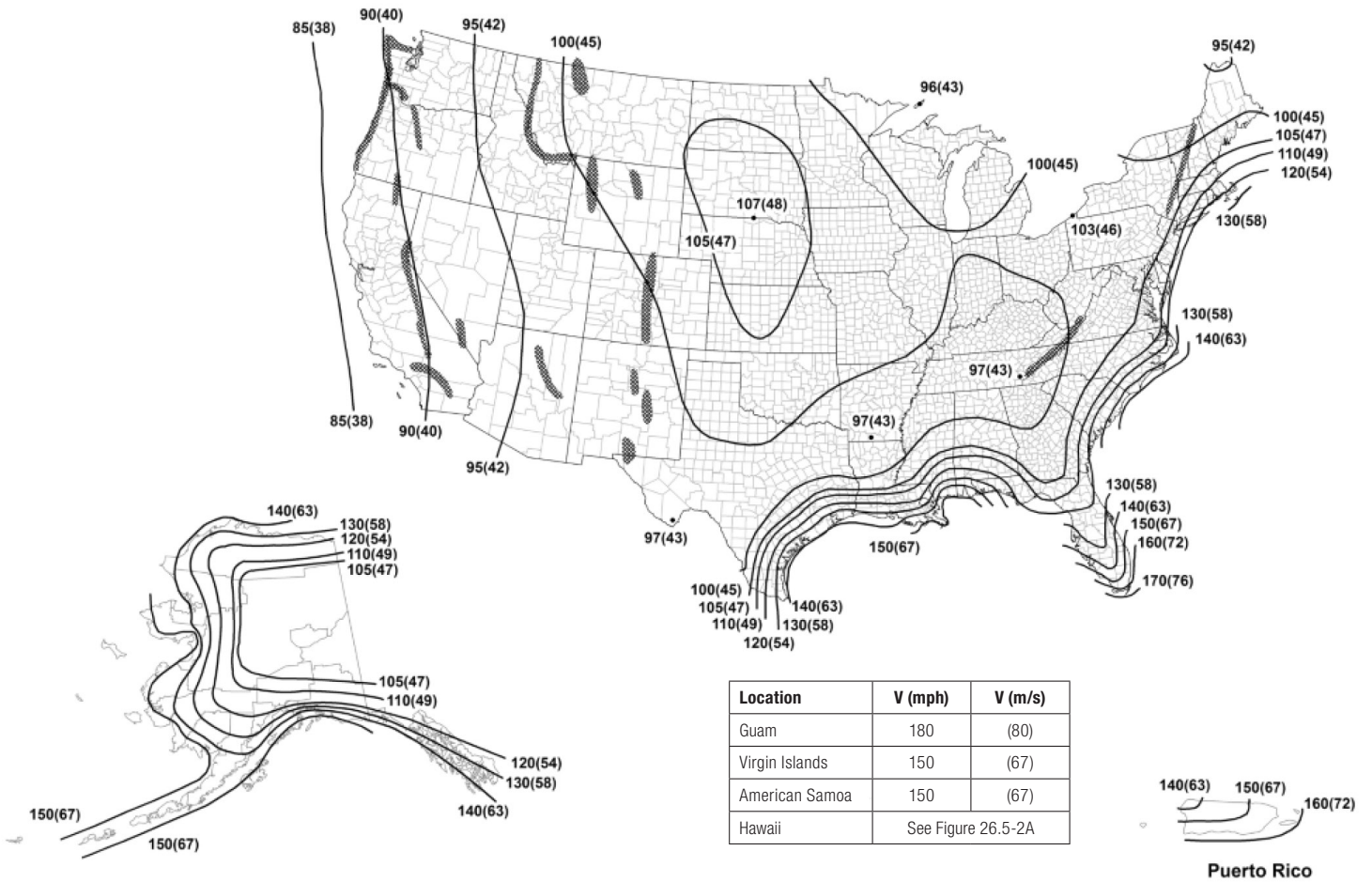
## Fixture Pole Loading

Pole Description	90 MPH		100 MPH		110 MPH		120 MPH		130 MPH		150 MPH	
	Area 150W	Area 300W	Area 150W	Area 300W	Area 150W	Area 300W	Area 150W	Area 300W	Area 150W	Area 300W	Area 150W	Area 300W
POLESQS2A/12/11G/4IN/BZ	8+	8+	8+	8+	8+	8+	8+	8+	8+	8+	8+	8+
POLESQS2A/15/11G/4IN/BZ	8+	8+	8+	8+	8+	8+	8+	8+	8+	8+	8+	7
POLESQS2A/17/11G/4IN/BZ	8+	8+	8+	8+	8+	8+	8+	8+	8+	8+	7	5
POLESQS2A/20/11G/4IN/BZ	8+	8+	8+	8+	8+	8+	8+	7	7	5	2	2
POLESQS2A/25/11G/4IN/BZ	8+	8+	9	7	5	4	2	2	–	–	–	–
POLESQS2A/30/11G/5IN/BZ	8+	8+	5	4	1	–	–	–	–	–	–	–
POLESQS2A/30/7G/5IN/BZ	8+	8+	8+	8+	8+	7	5	4	1	1	–	–

## Pole Loading

Pole Description	90 MPH		100 MPH		110 MPH		120 MPH		130 MPH		150 MPH	
	Area 150W	Area 300W	Area 150W	Area 300W	Area 150W	Area 300W	Area 150W	Area 300W	Area 150W	Area 300W	Area 150W	Area 300W
<b>With Double Tenon, Knuckle, 2 Area Lights</b>												
POLESQS2A/12/11G/4IN/BZ	Y	Y	Y	Y	Y	Y	Y	Y	Y	Y	Y	Y
POLESQS2A/15/11G/4IN/BZ	Y	Y	Y	Y	Y	Y	Y	Y	Y	Y	Y	Y
POLESQS2A/17/11G/4IN/BZ	Y	Y	Y	Y	Y	Y	Y	Y	Y	Y	Y	N
POLESQS2A/20/11G/4IN/BZ	Y	Y	Y	Y	Y	Y	Y	Y	Y	N	N	N
POLESQS2A/25/11G/4IN/BZ	Y	Y	Y	Y	N	N	N	N	N	N		
POLESQS2A/30/11G/5IN/BZ	Y	Y	N	N	N	N						
POLESQS2A/30/7G/5IN/BZ	Y	Y	Y	Y	Y	Y	N	N	N	N		
<b>With Double Bullhorn, Knuckle, 2 Area Lights</b>												
POLESQS2A/12/11G/4IN/BZ	Y	Y	Y	Y	Y	Y	Y	Y	Y	Y	Y	Y
POLESQS2A/15/11G/4IN/BZ	Y	Y	Y	Y	Y	Y	Y	Y	Y	Y	Y	Y
POLESQS2A/17/11G/4IN/BZ	Y	Y	Y	Y	Y	Y	Y	Y	Y	Y	Y	N
POLESQS2A/20/11G/4IN/BZ	Y	Y	Y	Y	Y	Y	Y	Y	Y	N	N	N
POLESQS2A/25/11G/4IN/BZ	Y	Y	Y	Y	N	N	N	N	N	N		
POLESQS2A/30/11G/5IN/BZ	Y	Y	N	N	N	N						
POLESQS2A/30/7G/5IN/BZ	Y	Y	Y	Y	Y	Y	N	N	N	N		
<b>With Triple Bullhorn, Knuckle, 3 Area Lights</b>												
POLESQS2A/12/11G/4IN/BZ	Y	Y	Y	Y	Y	Y	Y	Y	Y	Y	Y	Y
POLESQS2A/15/11G/4IN/BZ	Y	Y	Y	Y	Y	Y	Y	Y	Y	Y	Y	N
POLESQS2A/17/11G/4IN/BZ	Y	Y	Y	Y	Y	Y	Y	Y	Y	N	N	N
POLESQS2A/20/11G/4IN/BZ	Y	Y	Y	Y	Y	Y	Y	N	N	N	N	N
POLESQS2A/25/11G/4IN/BZ	Y	Y	N	N	N	N	N	N	N	N		
POLESQS2A/30/11G/5IN/BZ	Y	N	N	N	N	N						
POLESQS2A/30/7G/5IN/BZ	Y	Y	Y	Y	Y	N	N	N	N	N		

# Wind Map



### Notes: Dark shading indicates a special wind region.

1. Values are nominal design 3-s gust wind speeds in miles per hour (m/s) at 33 ft. (10 m) above ground for Exposure Category C.
2. Linear interpolation is permitted between contours. Point values are provided to aid with interpolation.
3. Islands, coastal areas, and land boundaries outside the last contour shall use the last wind speed contour.
4. Mountainous terrain, gorges, ocean promontories, and special wind regions shall be examined for unusual wind conditions.
5. Wind speeds correspond to approximately a 15% probability of exceedance in 50 years. (Annual Exceedance Probability = 0.00333, MRI = 300 years).
6. Location-specific basic wind speeds shall be permitted to be determined using [www.atcouncil.org/windspeed](http://www.atcouncil.org/windspeed).

LEDVANCE LLC  
 200 Ballardvale Street  
 Wilmington, MA 01887 USA  
 Phone 1-800-LIGHTBULB (1-800-544-4828)  
[www.ledvanceUS.com](http://www.ledvanceUS.com)

Name: \_\_\_\_\_  
 Email: \_\_\_\_\_  
 Phone: \_\_\_\_\_

SYLVANIA and LEDVANCE are registered trademarks.  
 All other trademarks are those of their respective owners.  
 Licensee of product trademark SYLVANIA in general lighting.  
 Specifications subject to change without notice.

[/sylvania](https://www.facebook.com/sylvania) [/sylvania](https://www.facebook.com/sylvania)

