

SYLVANIA Luminaires

UltraLED™ Volumetric Troffer

Application

The UltraLED Volumetric Troffer is offered in two sizes (2'x2' and 2'x4') and is ideal for illuminating offices, retail spaces, hallways, multipurpose rooms and hospitality areas.

Benefits and Features

- All models are DLC Premium listed to maximize rebate opportunities
- Ideal in retrofit applications offering up to 59% energy savings when compared to traditional lighting technologies. Additional energy savings can be obtained by taking advantage of the standard 0-10V dimming driver.
- Offered in two wattage/lumen packages, two voltage ranges, and three color temperatures
- Up to 125 LPW
- 3500K, 4000K, and 5000K color temperature
- CRI > 80

Electrical

- Offered in 26 and 34 watts
- 120-277V_{AC} (UNV)
- 120-347V_{AC} (UNH)
- Power Factor 90%
- THD <20%
- 0-10V dimmable

Rated Life

- 100,000 hours (L₇₀)

Warranty

- 5-year

Ambient Operating Range

- -4°F to +120°F (-20°C to +50°C)
- 32°F to +120°F (0°C to +50°C) (Emergency Versions)

Certifications and Listings

- cETLus
- RoHS
- FCC
- DLC Premium

Item #
Type
Project
Notes
Date



Wattage Comparison

	Traditional Source	Traditional System Wattage	LED System Wattage	Energy Savings
2x2	3 x 17W T8	48	26	46%
	2 x U31W T8	56	26	53%
2x4	3 x 28W T8	73	34	53%
	3 x 32W T8	83	34	59%

Installation

- Luminaire lays in standard 15/16" and 9/16" T-grid ceilings.



Ordering Guide

VOLUME	4A	/	XXX	UNX	D	8	XX	/	XX	G	/	WH	/	Option
Product Name	Generation		Wattage	Voltage	Dimming	CRI	CCT		Dimension	Mounting		Color		Blank = No option
VOLUME	4A		026 = 26 Watts 034 = 34 Watts	UNV = 120-277V UNH = 120-347V	D = 0-10V	8 = >80	35 = 3500K 40 = 4000K 50 = 5000K		22 = 2x2 24 = 2x4	G = Grid		WH = White		E = Emergency Back-up D = Daylight/Motion Sensor DE = Dual Emergency and Daylight/Motion Sensor

Ordering Information

Item Number	Ordering Abbreviation	Power (W)	Input Voltage	Dimming	CRI	Color Temp (CCT)	Lumens	LPW	DLC Listed	MTO*	Options
60878	VOLUME4A/034UNVD835/24G/WH	34	120-277	0-10V	>80	3500K	4250	125	Prm	-	-
60879	VOLUME4A/034UNVD840/24G/WH	34	120-277	0-10V	>80	4000K	4250	125	Prm	-	-
60880	VOLUME4A/034UNVD850/24G/WH	34	120-277	0-10V	>80	5000K	4250	125	Prm	-	-
60869	VOLUME4A/026UNVD835/22G/WH	26	120-277	0-10V	>80	3500K	3250	125	Prm	-	-
60870	VOLUME4A/026UNVD840/22G/WH	26	120-277	0-10V	>80	4000K	3250	125	Prm	-	-
60871	VOLUME4A/026UNVD850/22G/WH	26	120-277	0-10V	>80	5000K	3250	125	Prm	-	-
60884	VOLUME4A/034UNVD835/24G/WH/D	34	120-277	0-10V	>80	3500K	4250	125	Prm	MTO	Sensor
60885	VOLUME4A/034UNVD840/24G/WH/D	34	120-277	0-10V	>80	4000K	4250	125	Prm	MTO	Sensor
60886	VOLUME4A/034UNVD850/24G/WH/D	34	120-277	0-10V	>80	5000K	4250	125	Prm	MTO	Sensor
60875	VOLUME4A/026UNVD835/22G/WH/D	26	120-277	0-10V	>80	3500K	3250	125	Prm	MTO	Sensor
60876	VOLUME4A/026UNVD840/22G/WH/D	26	120-277	0-10V	>80	4000K	3250	125	Prm	MTO	Sensor
60877	VOLUME4A/026UNVD850/22G/WH/D	26	120-277	0-10V	>80	5000K	3250	125	Prm	MTO	Sensor
60858	VOLUME4A/034UNVD835/24G/WH/E	34	120-277	0-10V	>80	3500K	4250	125	Prm	MTO	Emergency
60857	VOLUME4A/034UNVD840/24G/WH/E	34	120-277	0-10V	>80	4000K	4250	125	Prm	MTO	Emergency
60859	VOLUME4A/034UNVD850/24G/WH/E	34	120-277	0-10V	>80	5000K	4250	125	Prm	MTO	Emergency
60863	VOLUME4A/026UNVD835/22G/WH/E	26	120-277	0-10V	>80	3500K	3250	125	Prm	MTO	Emergency
60864	VOLUME4A/026UNVD840/22G/WH/E	26	120-277	0-10V	>80	4000K	3250	125	Prm	MTO	Emergency
60865	VOLUME4A/026UNVD850/22G/WH/E	26	120-277	0-10V	>80	5000K	3250	125	Prm	MTO	Emergency
60860	VOLUME4A/034UNVD835/24G/WH/DE	34	120-277	0-10V	>80	3500K	4250	125	Prm	MTO	Sensor, Emergency
60861	VOLUME4A/034UNVD840/24G/WH/DE	34	120-277	0-10V	>80	4000K	4250	125	Prm	MTO	Sensor, Emergency
60862	VOLUME4A/034UNVD850/24G/WH/DE	34	120-277	0-10V	>80	5000K	4250	125	Prm	MTO	Sensor, Emergency
60866	VOLUME4A/026UNVD835/22G/WH/DE	26	120-277	0-10V	>80	3500K	3250	125	Prm	MTO	Sensor, Emergency
60867	VOLUME4A/026UNVD840/22G/WH/DE	26	120-277	0-10V	>80	4000K	3250	125	Prm	MTO	Sensor, Emergency
60868	VOLUME4A/026UNVD850/22G/WH/DE	26	120-277	0-10V	>80	5000K	3250	125	Prm	MTO	Sensor, Emergency
60881	VOLUME4A/034UNHD835/24G/WH	34	120-347	0-10V	>80	3500K	4250	125	Prm	MTO	-
60882	VOLUME4A/034UNHD840/24G/WH	34	120-347	0-10V	>80	4000K	4250	125	Prm	MTO	-
60883	VOLUME4A/034UNHD850/24G/WH	34	120-347	0-10V	>80	5000K	4250	125	Prm	MTO	-
60872	VOLUME4A/026UNHD835/22G/WH	26	120-347	0-10V	>80	3500K	3250	125	Prm	MTO	-
60873	VOLUME4A/026UNHD840/22G/WH	26	120-347	0-10V	>80	4000K	3250	125	Prm	MTO	-
60874	VOLUME4A/026UNHD850/22G/WH	26	120-347	0-10V	>80	5000K	3250	125	Prm	MTO	-

*Made To Order

Ordering Guide (with Partner Sensor Options)

VOLUME	4A	/	XXX	UNV	D	8	XX	/	XX	G	/	WH	/	XX
Product Name	Generation		Wattage	Voltage	Dimming	CRI	Color Temp		Dimensions	Mounting		Color/Finish		Partner Sensor Options
VOLUME	4A		026 = 26 Watts 034 = 34 Watts	UNV = 120-277V	D = 0-10V	8 = >80	35 = 3500K 40 = 4000K 50 = 5000K		22 = 2x2 24 = 2x4	G = Grid		WH = white		A1 = Enlighted Micro Sensor B1 = Enlighted Micro Sensor with Emergency Battery Back-up A2 = Lutron Vive Integral Fixture Control (RF only) B2 = Lutron Vive Integral Fixture Control (RF only) with Emergency Battery Back-up A3 = Lutron Vive Integral Fixture Control with Sensor B3 = Lutron Vive Integral Fixture Control with Sensor and Emergency Battery Back-up A4 = OSRAM SensiLUM B4 = OSRAM SensiLUM with Emergency Battery Back-up A5 = OSRAM ENCELIUM CLM B5 = OSRAM ENCELIUM CLM with Emergency Battery Back-up A6 = OSRAM ZigBee CLM B6 = OSRAM ZigBee CLM with Emergency Battery Back-up

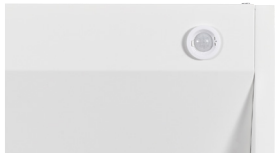
Enlighted Micro Sensor



LUTRON Vive Sensor



OSRAM SensiLUM Sensor



enlighted
A Siemens Company

LUTRON


OSRAM

SensiLUM™
Included

OSRAM

CLM
Included


Ordering Information (continued)

Item Number	Ordering Abbreviation	Power (W)	Input Voltage	Dimming	CRI	Color Temp (CCT)	Lumens	LPW	DLC Listed	 MTO*	Options	
Partner Sensor Options												
65085	VOLUME4A/034UNVD835/24G/WH/A1	34	120-277	0-10V	80	3500K	4,250	125	Prm	MTO	Enlighted** Micro Sensor	
65086	VOLUME4A/034UNVD840/24G/WH/A1	34	120-277	0-10V	80	4000K	4,250	125	Prm	MTO	Enlighted** Micro Sensor	
65087	VOLUME4A/034UNVD850/24G/WH/A1	34	120-277	0-10V	80	5000K	4,250	125	Prm	MTO	Enlighted** Micro Sensor	
65088	VOLUME4A/026UNVD835/22G/WH/A1	26	120-277	0-10V	80	3500K	3,250	125	Prm	MTO	Enlighted** Micro Sensor	
65089	VOLUME4A/026UNVD840/22G/WH/A1	26	120-277	0-10V	80	4000K	3,250	125	Prm	MTO	Enlighted** Micro Sensor	
65090	VOLUME4A/026UNVD850/22G/WH/A1	26	120-277	0-10V	80	5000K	3,250	125	Prm	MTO	Enlighted** Micro Sensor	
65091	VOLUME4A/034UNVD835/24G/WH/B1	34	120-277	0-10V	80	3500K	4,250	125	Prm	MTO	Enlighted** Micro Sensor with Emergency Battery Back-up	
65092	VOLUME4A/034UNVD840/24G/WH/B1	34	120-277	0-10V	80	4000K	4,250	125	Prm	MTO	Enlighted** Micro Sensor with Emergency Battery Back-up	
65093	VOLUME4A/034UNVD850/24G/WH/B1	34	120-277	0-10V	80	5000K	4,250	125	Prm	MTO	Enlighted** Micro Sensor with Emergency Battery Back-up	
65094	VOLUME4A/026UNVD835/22G/WH/B1	26	120-277	0-10V	80	3500K	3,250	125	Prm	MTO	Enlighted** Micro Sensor with Emergency Battery Back-up	
65095	VOLUME4A/026UNVD840/22G/WH/B1	26	120-277	0-10V	80	4000K	3,250	125	Prm	MTO	Enlighted** Micro Sensor with Emergency Battery Back-up	
65096	VOLUME4A/026UNVD850/22G/WH/B1	26	120-277	0-10V	80	5000K	3,250	125	Prm	MTO	Enlighted** Micro Sensor with Emergency Battery Back-up	
65017	VOLUME4A/034UNVD835/24G/WH/A2	34	120-277	0-10V	80	3500K	4,250	125	Prm	MTO	Lutron Vive Integral Fixture Control (RF only)	
65018	VOLUME4A/034UNVD840/24G/WH/A2	34	120-277	0-10V	80	4000K	4,250	125	Prm	MTO	Lutron Vive Integral Fixture Control (RF only)	
65019	VOLUME4A/034UNVD850/24G/WH/A2	34	120-277	0-10V	80	5000K	4,250	125	Prm	MTO	Lutron Vive Integral Fixture Control (RF only)	
65020	VOLUME4A/026UNVD835/22G/WH/A2	26	120-277	0-10V	80	3500K	3,250	125	Prm	MTO	Lutron Vive Integral Fixture Control (RF only)	
65021	VOLUME4A/026UNVD840/22G/WH/A2	26	120-277	0-10V	80	4000K	3,250	125	Prm	MTO	Lutron Vive Integral Fixture Control (RF only)	
65022	VOLUME4A/026UNVD850/22G/WH/A2	26	120-277	0-10V	80	5000K	3,250	125	Prm	MTO	Lutron Vive Integral Fixture Control (RF only)	
65023	VOLUME4A/034UNVD835/24G/WH/B2	34	120-277	0-10V	80	3500K	4,250	125	Prm	MTO	Lutron Vive Integral Fixture Control (RF only) with Emergency Battery Back-up	
65024	VOLUME4A/034UNVD840/24G/WH/B2	34	120-277	0-10V	80	4000K	4,250	125	Prm	MTO	Lutron Vive Integral Fixture Control (RF only) with Emergency Battery Back-up	
65025	VOLUME4A/034UNVD850/24G/WH/B2	34	120-277	0-10V	80	5000K	4,250	125	Prm	MTO	Lutron Vive Integral Fixture Control (RF only) with Emergency Battery Back-up	
65026	VOLUME4A/026UNVD835/22G/WH/B2	26	120-277	0-10V	80	3500K	3,250	125	Prm	MTO	Lutron Vive Integral Fixture Control (RF only) with Emergency Battery Back-up	
65027	VOLUME4A/026UNVD840/22G/WH/B2	26	120-277	0-10V	80	4000K	3,250	125	Prm	MTO	Lutron Vive Integral Fixture Control (RF only) with Emergency Battery Back-up	
65029	VOLUME4A/034UNVD835/24G/WH/A3	34	120-277	0-10V	80	3500K	4,250	125	Prm	MTO	Lutron Vive Integral Fixture Control with Sensor	
65030	VOLUME4A/034UNVD840/24G/WH/A3	34	120-277	0-10V	80	4000K	4,250	125	Prm	MTO	Lutron Vive Integral Fixture Control with Sensor	
65031	VOLUME4A/034UNVD850/24G/WH/A3	34	120-277	0-10V	80	5000K	4,250	125	Prm	MTO	Lutron Vive Integral Fixture Control with Sensor	
65032	VOLUME4A/026UNVD835/22G/WH/A3	26	120-277	0-10V	80	3500K	3,250	125	Prm	MTO	Lutron Vive Integral Fixture Control with Sensor	
65033	VOLUME4A/026UNVD840/22G/WH/A3	26	120-277	0-10V	80	4000K	3,250	125	Prm	MTO	Lutron Vive Integral Fixture Control with Sensor	
65034	VOLUME4A/026UNVD850/22G/WH/A3	26	120-277	0-10V	80	5000K	3,250	125	Prm	MTO	Lutron Vive Integral Fixture Control with Sensor	
65035	VOLUME4A/034UNVD835/24G/WH/B3	34	120-277	0-10V	80	3500K	4,250	125	Prm	MTO	Lutron Vive Integral Fixture Control with Sensor and Emergency Battery Back-up	
65036	VOLUME4A/034UNVD840/24G/WH/B3	34	120-277	0-10V	80	4000K	4,250	125	Prm	MTO	Lutron Vive Integral Fixture Control with Sensor and Emergency Battery Back-up	
65037	VOLUME4A/034UNVD850/24G/WH/B3	34	120-277	0-10V	80	5000K	4,250	125	Prm	MTO	Lutron Vive Integral Fixture Control with Sensor and Emergency Battery Back-up	
65038	VOLUME4A/026UNVD835/22G/WH/B3	26	120-277	0-10V	80	3500K	3,250	125	Prm	MTO	Lutron Vive Integral Fixture Control with Sensor and Emergency Battery Back-up	
65039	VOLUME4A/026UNVD840/22G/WH/B3	26	120-277	0-10V	80	4000K	3,250	125	Prm	MTO	Lutron Vive Integral Fixture Control with Sensor and Emergency Battery Back-up	
65040	VOLUME4A/026UNVD850/22G/WH/B3	26	120-277	0-10V	80	5000K	3,250	125	Prm	MTO	Lutron Vive Integral Fixture Control with Sensor and Emergency Battery Back-up	
65028	VOLUME4A/026UNVD850/22G/WH/B2	26	120-277	0-10V	80	5000K	3,250	125	Prm	MTO	Lutron Vive Integral Fixture Control (RF only) with Emergency Battery Back-up	
65073	VOLUME4A/034UNVD835/24G/WH/A4	34	120-277	0-10V	80	3500K	4,250	125	Prm	MTO	OSRAM SensiLUM	
65074	VOLUME4A/034UNVD840/24G/WH/A4	34	120-277	0-10V	80	4000K	4,250	125	Prm	MTO	OSRAM SensiLUM	
65075	VOLUME4A/034UNVD850/24G/WH/A4	34	120-277	0-10V	80	5000K	4,250	125	Prm	MTO	OSRAM SensiLUM	
65076	VOLUME4A/026UNVD835/22G/WH/A4	26	120-277	0-10V	80	3500K	3,250	125	Prm	MTO	OSRAM SensiLUM	
65077	VOLUME4A/026UNVD840/22G/WH/A4	26	120-277	0-10V	80	4000K	3,250	125	Prm	MTO	OSRAM SensiLUM	
65078	VOLUME4A/026UNVD850/22G/WH/A4	26	120-277	0-10V	80	5000K	3,250	125	Prm	MTO	OSRAM SensiLUM	
65079	VOLUME4A/034UNVD835/24G/WH/B4	34	120-277	0-10V	80	3500K	4,250	125	Prm	MTO	OSRAM SensiLUM with Emergency Battery Back-up	
65080	VOLUME4A/034UNVD840/24G/WH/B4	34	120-277	0-10V	80	4000K	4,250	125	Prm	MTO	OSRAM SensiLUM with Emergency Battery Back-up	
65081	VOLUME4A/034UNVD850/24G/WH/B4	34	120-277	0-10V	80	5000K	4,250	125	Prm	MTO	OSRAM SensiLUM with Emergency Battery Back-up	
65082	VOLUME4A/026UNVD835/22G/WH/B4	26	120-277	0-10V	80	3500K	3,250	125	Prm	MTO	OSRAM SensiLUM with Emergency Battery Back-up	
65083	VOLUME4A/026UNVD840/22G/WH/B4	26	120-277	0-10V	80	4000K	3,250	125	Prm	MTO	OSRAM SensiLUM with Emergency Battery Back-up	
65084	VOLUME4A/026UNVD850/22G/WH/B4	26	120-277	0-10V	80	5000K	3,250	125	Prm	MTO	OSRAM SensiLUM with Emergency Battery Back-up	
65061	VOLUME4A/034UNVD835/24G/WH/A5	34	120-277	0-10V	80	3500K	4,250	125	Prm	MTO	OSRAM ENCELIUM CLM	
65062	VOLUME4A/034UNVD840/24G/WH/A5	34	120-277	0-10V	80	4000K	4,250	125	Prm	MTO	OSRAM ENCELIUM CLM	
65063	VOLUME4A/034UNVD850/24G/WH/A5	34	120-277	0-10V	80	5000K	4,250	125	Prm	MTO	OSRAM ENCELIUM CLM	

*Made To Order

**Default: Independent Lighting/One

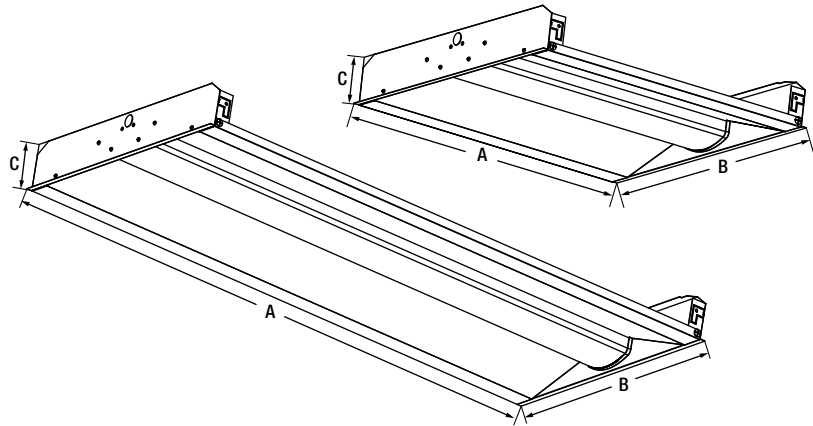
Ordering Information (continued)

Item Number	Ordering Abbreviation	Power (W)	Input Voltage	Dimming	CRI	Color Temp (CCT)	Lumens	LPW	DLC Listed	 MTO*	Options
65064	VOLUME4A/026UNVD835/22G/WH/A5	26	120-277	0-10V	80	3500K	3,250	125	Prm	MTO	OSRAM ENCELUM CLM
65065	VOLUME4A/026UNVD840/22G/WH/A5	26	120-277	0-10V	80	4000K	3,250	125	Prm	MTO	OSRAM ENCELUM CLM
65066	VOLUME4A/026UNVD850/22G/WH/A5	26	120-277	0-10V	80	5000K	3,250	125	Prm	MTO	OSRAM ENCELUM CLM
65067	VOLUME4A/034UNVD835/24G/WH/B5	34	120-277	0-10V	80	3500K	4,250	125	Prm	MTO	OSRAM ENCELUM CLM with Emergency Battery Back-up
65068	VOLUME4A/034UNVD840/24G/WH/B5	34	120-277	0-10V	80	4000K	4,250	125	Prm	MTO	OSRAM ENCELUM CLM with Emergency Battery Back-up
65069	VOLUME4A/034UNVD850/24G/WH/B5	34	120-277	0-10V	80	5000K	4,250	125	Prm	MTO	OSRAM ENCELUM CLM with Emergency Battery Back-up
65070	VOLUME4A/026UNVD835/22G/WH/B5	26	120-277	0-10V	80	3500K	3,250	125	Prm	MTO	OSRAM ENCELUM CLM with Emergency Battery Back-up
65071	VOLUME4A/026UNVD840/22G/WH/B5	26	120-277	0-10V	80	4000K	3,250	125	Prm	MTO	OSRAM ENCELUM CLM with Emergency Battery Back-up
65072	VOLUME4A/026UNVD850/22G/WH/B5	26	120-277	0-10V	80	5000K	3,250	125	Prm	MTO	OSRAM ENCELUM CLM with Emergency Battery Back-up
65049	VOLUME4A/034UNVD835/24G/WH/A6	34	120-277	0-10V	80	3500K	4,250	125	Prm	MTO	OSRAM ZigBee CLM
65050	VOLUME4A/034UNVD840/24G/WH/A6	34	120-277	0-10V	80	4000K	4,250	125	Prm	MTO	OSRAM ZigBee CLM
65051	VOLUME4A/034UNVD850/24G/WH/A6	34	120-277	0-10V	80	5000K	4,250	125	Prm	MTO	OSRAM ZigBee CLM
65052	VOLUME4A/026UNVD835/22G/WH/A6	26	120-277	0-10V	80	3500K	3,250	125	Prm	MTO	OSRAM ZigBee CLM
65053	VOLUME4A/026UNVD840/22G/WH/A6	26	120-277	0-10V	80	4000K	3,250	125	Prm	MTO	OSRAM ZigBee CLM
65054	VOLUME4A/026UNVD840/22G/WH/A6	26	120-277	0-10V	80	5000K	3,250	125	Prm	MTO	OSRAM ZigBee CLM
65055	VOLUME4A/034UNVD835/24G/WH/B6	34	120-277	0-10V	80	3500K	4,250	125	Prm	MTO	OSRAM ZigBee CLM with Emergency Battery Back-up
65056	VOLUME4A/034UNVD840/24G/WH/B6	34	120-277	0-10V	80	4000K	4,250	125	Prm	MTO	OSRAM ZigBee CLM with Emergency Battery Back-up
65057	VOLUME4A/034UNVD850/24G/WH/B6	34	120-277	0-10V	80	5000K	4,250	125	Prm	MTO	OSRAM ZigBee CLM with Emergency Battery Back-up
65058	VOLUME4A/026UNVD835/22G/WH/B6	26	120-277	0-10V	80	3500K	3,250	125	Prm	MTO	OSRAM ZigBee CLM with Emergency Battery Back-up
65059	VOLUME4A/026UNVD840/22G/WH/B6	26	120-277	0-10V	80	4000K	3,250	125	Prm	MTO	OSRAM ZigBee CLM with Emergency Battery Back-up
65060	VOLUME4A/026UNVD850/22G/WH/B6	26	120-277	0-10V	80	5000K	3,250	125	Prm	MTO	OSRAM ZigBee CLM with Emergency Battery Back-up

*Made To Order

Physical Information

Lamp Description	(A) Length in (mm)	(B) Width	(C) Height
2x2	23.7" (604)	23.7" (604)	3.6" (92)
2x4	47.7" (1213)	23.7" (604)	3.6" (92)



Accessories

Item Number	Ordering Abbreviation	Item Description
60457	FK1A/14G/WH	1x4 Flange Kit, White Finish
60458	FK1A/22G/WH	2x2 Flange Kit, White Finish
60459	FK1A/24G/WH	2x4 Flange Kit, White Finish

Photometric Data

		8 ft Mounting Height			10 ft Mounting Height			12 ft Mounting Height		
		On Center Fixture Spacing								
		8'x10'	10'x10'	10'x12'	8'x10'	10'x10'	10'x12'	8'x10'	10'x10'	10'x12'
2'x2' 26W	VOLUME4A/026UNVD835/22G/WH	39fc/1.5	32fc/1.3	27fc/1.8	38fc/1.6	31fc/1.4	26fc/1.7	36fc/1.6	30fc/1.5	25fc/1.7
	VOLUME4A/026UNVD840/22G/WH	39fc/1.5	32fc/1.3	26fc/1.8	38fc/1.6	31fc/1.4	26fc/1.7	36fc/1.6	30fc/1.5	25fc/1.7
	VOLUME4A/026UNVD850/22G/WH	39fc/1.5	32fc/1.3	27fc/1.8	38fc/1.6	32fc/1.4	26fc/1.7	36fc/1.6	30fc/1.5	25fc/1.7
	VOLUME4A/026UNVD835/22G/WH/E	39fc/1.5	32fc/1.3	27fc/1.8	38fc/1.6	31fc/1.4	26fc/1.7	36fc/1.6	30fc/1.5	25fc/1.7
	VOLUME4A/026UNVD840/22G/WH/E	39fc/1.5	32fc/1.3	26fc/1.8	38fc/1.6	31fc/1.4	26fc/1.7	36fc/1.6	30fc/1.5	25fc/1.7
	VOLUME4A/026UNVD850/22G/WH/E	39fc/1.5	32fc/1.3	27fc/1.8	38fc/1.6	32fc/1.4	26fc/1.7	36fc/1.6	30fc/1.5	25fc/1.7
	VOLUME4A/026UNVD835/22G/WH/D	39fc/1.5	32fc/1.3	27fc/1.8	38fc/1.6	31fc/1.4	26fc/1.7	36fc/1.6	30fc/1.5	25fc/1.7
	VOLUME4A/026UNVD840/22G/WH/D	39fc/1.5	32fc/1.3	26fc/1.8	38fc/1.6	31fc/1.4	26fc/1.7	36fc/1.6	30fc/1.5	25fc/1.7
	VOLUME4A/026UNVD850/22G/WH/D	39fc/1.5	32fc/1.3	27fc/1.8	38fc/1.6	32fc/1.4	26fc/1.7	36fc/1.6	30fc/1.5	25fc/1.7
	VOLUME4A/026UNHD835/22G/WH	37fc/1.5	31fc/1.3	26fc/1.8	36fc/1.6	30fc/1.4	25fc/1.7	35fc/1.6	29fc/1.5	24fc/1.7
	VOLUME4A/026UNHD840/22G/WH	38fc/1.5	31fc/1.3	26fc/1.8	36fc/1.6	30fc/1.4	25fc/1.7	35fc/1.6	29fc/1.5	24fc/1.7
	VOLUME4A/026UNHD850/22G/WH	38fc/1.5	32fc/1.3	26fc/1.8	37fc/1.6	31fc/1.4	26fc/1.7	36fc/1.6	30fc/1.5	25fc/1.7
2'x4' 34W	VOLUME4A/034UNVD835/24G/WH	53fc/1.5	44fc/1.3	36fc/1.8	51fc/1.6	43fc/1.4	35fc/1.7	49fc/1.6	41fc/1.5	34fc/1.7
	VOLUME4A/034UNVD840/24G/WH	52fc/1.5	43fc/1.3	36fc/1.8	51fc/1.6	42fc/1.4	35fc/1.7	49fc/1.6	41fc/1.5	34fc/1.7
	VOLUME4A/034UNVD850/24G/WH	52fc/1.5	43fc/1.3	36fc/1.8	51fc/1.6	42fc/1.4	35fc/1.7	49fc/1.6	41fc/1.5	34fc/1.7
	VOLUME4A/034UNVD835/24G/WH/E	53fc/1.5	44fc/1.3	36fc/1.8	51fc/1.6	43fc/1.4	35fc/1.7	49fc/1.6	41fc/1.5	34fc/1.7
	VOLUME4A/034UNVD840/24G/WH/E	52fc/1.5	43fc/1.3	36fc/1.8	51fc/1.6	42fc/1.4	35fc/1.7	49fc/1.6	41fc/1.5	34fc/1.7
	VOLUME4A/034UNVD850/24G/WH/E	52fc/1.5	43fc/1.3	36fc/1.8	51fc/1.6	42fc/1.4	35fc/1.7	49fc/1.6	41fc/1.5	34fc/1.7
	VOLUME4A/034UNVD835/24G/WH/D	53fc/1.5	44fc/1.3	36fc/1.8	51fc/1.6	43fc/1.4	35fc/1.7	49fc/1.6	41fc/1.5	34fc/1.7
	VOLUME4A/034UNVD840/24G/WH/D	52fc/1.5	43fc/1.3	36fc/1.8	51fc/1.6	42fc/1.4	35fc/1.7	49fc/1.6	41fc/1.5	34fc/1.7
	VOLUME4A/034UNVD850/24G/WH/D	52fc/1.5	43fc/1.3	36fc/1.8	51fc/1.6	42fc/1.4	35fc/1.7	49fc/1.6	41fc/1.5	34fc/1.7
	VOLUME4A/034UNHD835/24G/WH	53fc/1.5	44fc/1.3	36fc/1.8	51fc/1.6	43fc/1.4	35fc/1.7	49fc/1.6	41fc/1.5	34fc/1.7
	VOLUME4A/034UNHD840/24G/WH	54fc/1.5	45fc/1.3	37fc/1.8	53fc/1.5	44fc/1.4	36fc/1.7	51fc/1.6	42fc/1.5	35fc/1.7
	VOLUME4A/034UNHD850/24G/WH	53fc/1.5	44fc/1.3	37fc/1.8	52fc/1.6	43fc/1.4	36fc/1.7	50fc/1.6	42fc/1.5	34fc/1.7

Note: Calculations are based on 110ft x 50ft area.

LEDVANCE LLC
 200 Ballardvale Street
 Wilmington, MA 01887 USA
 Phone 1-800-LIGHTBULB (1-800-544-4828)
 www.sylvania.com

Name: _____
 Email: _____
 Phone: _____

SYLVANIA and LEDVANCE are registered trademarks.
 All other trademarks are those of their respective owners.
 Licensee of product trademark SYLVANIA in general lighting.
 Specifications subject to change without notice.

