

SYLVANIA Luminaires

ValueLED™ Emergency Lights

| |
|---------|
| Item # |
| Type |
| Project |
| Notes |
| |
| Date |

Application

The brightly lit SYLVANIA ValueLED Emergency Lights are slim, low profile emergency lighting solutions that provide a crisp, clean look and the excellent energy-saving benefits of LED technology. These LED emergency lights are ideal for buildings, offices and a broad range of commercial facilities.

Benefits and Features

- Slim profile, lightweight, easy to install emergency light that replaces traditional incandescent
- Bright, energy-efficient LEDs provide energy savings up to 91%
- Surface mounting
- 6500K color temperature
- CRI >80
- Offered in 2.2 watts
- Energy savings up to 91%

Electrical

- 120/277V_{AC}
- Power Factor >90%
- THD <20%

Rated Life

- 50,000 hours (L₇₀)

Warranty

- 5-year

Ambient Operating Range

- 32°F to +104°F (0°C to +40°C)

Certifications and Listings

- cULus (UL 924 & CAN/CSA C22.2 No 141-10)
- RoHS
- FCC
- Damp location rated
- Certified in the CA Title 20 Appliance Efficiency Database for Small Battery Chargers

Installation

- Universal J Box mounting pattern



Wattage Comparison

| Traditional Source | LED System Wattage | Energy Savings |
|--------------------|--------------------|----------------|
| 2 x 24W halogen | 2 x 1.1W | 91% |



Ordering Guide

Emergency Lights

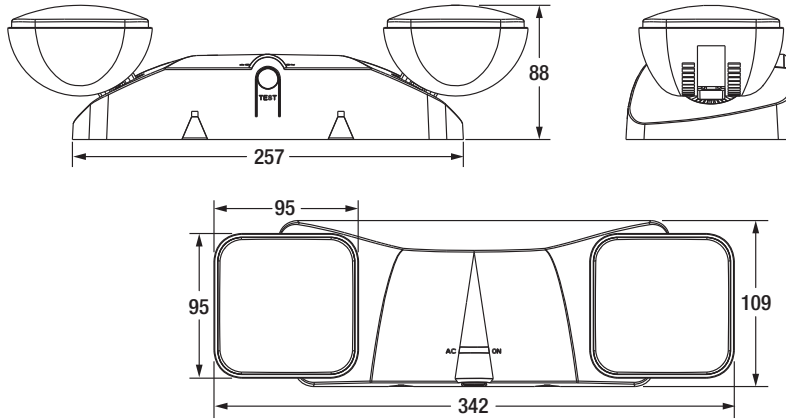
| EMLIGHT | 1X | / | 3 | DV | TH | X | / | S | / | WH |
|-----------------|------------|---|-------------|--------------------------------|----------------|-----------------------------------|---|-------------------------|---|------------|
| Product Name | Generation | | Wattage | Voltage | Luminaire Type | Head Shape | | Mounting | | Color |
| EMLIGHT = | 1A | | 3 = 3 Watts | DV = Dual Voltage (120/277) | TH = Twin Head | S = Square head R = Round head | | S = Surface Mounting | | WH = White |
| Emergency Light | 1B | | | | | | | | | |

Ordering Information

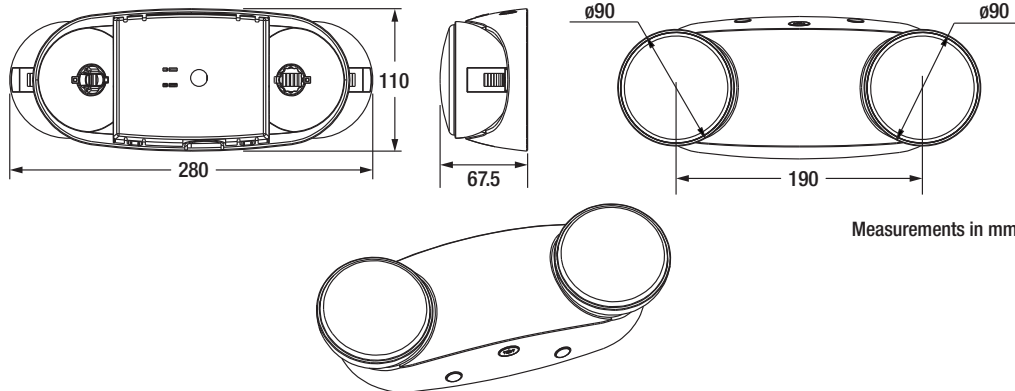
| Item Number | Ordering Abbreviation | Power (W) | Input Voltage | Total Fixture Lumens | CRI | CCT | Lamp Shape | Options |
|-------------|-----------------------|-----------|---------------|----------------------|-----|-------|------------|-------------------|
| 60763 | EMLIGHT1A/3DVTHS/S/WH | 2 | 120/277 | 200 | 80 | 6500K | Square | Emergency Back-up |
| 60764 | EMLIGHT1B/3DVTNR/S/WH | 2 | 120/277 | 220 | 80 | 6500K | Round | Emergency Back-up |

Physical Information

EMLIGHT1A



EMLIGHT1B



Measurements in mm.

Additional Specifications

- Built-in 1.2V 1000mAh Nickel cadmium battery for minimum 90 minutes emergency operation
- Maximum 24 hours for full recharge time
- Test switch and charge indicator

LEDVANCE LLC
 200 Ballardvale Street
 Wilmington, MA 01887 USA
 Phone 1-800-LIGHTBULB (1-800-544-4828)
 www.sylvania.com

SYLVANIA and LEDVANCE are registered trademarks.
 All other trademarks are those of their respective owners.
 Licensee of product trademark SYLVANIA in general lighting.
 Specifications subject to change without notice.

[/sylvania](#) [/sylvania](#)

Name: _____
 Email: _____
 Phone: _____

