

# SYLVANIA Luminaires

## ValueLED™ Exit Signs

### Application

Available in red or green, the brightly lit SYLVANIA ValueLED Exit and Emergency Signs are slim, low profile exit sign lighting solutions that provide a crisp, clean look and the excellent energy-saving benefits of LED technology. These LED Exit and Exit Combo Signs with emergency battery backup are ideal for buildings, offices and a broad range of commercial facilities.

### Benefits and Features

- Slim profile, lightweight, easy to install exit sign that replaces traditional incandescent and fluorescent exit signs
- Bright, energy-efficient LEDs provide energy savings up to 97%
- Universal mounting
- 6500K color temperature (combination versions only)
- CRI >80
- Offered in 0.5 watts (exit version only) and 2.2 watts (combination versions only)

### Electrical

- 120/277V<sub>AC</sub>
- Power Factor >90%
- THD <20%

### Rated Life

- 50,000 hours (L<sub>70</sub>)

### Warranty

- 5-year

### Ambient Operating Range

- 32°F to +104°F (0°C to +40°C)

### Certifications and Listings

- cULus
- RoHS compliant
- FCC
- Damp location rated

### Installation

- Universal J Box mounting pattern
- Snap canopy for top or end mounting included

Item #
Type
Project
Notes
Date



### Wattage Comparison

Traditional Source	LED System Wattage	Energy Savings
2 x 24W halogen	2 x 1.1W	91%
15W incandescent	.5W	97%



## Ordering Guide

### Exit Signs

EXIT	1A	/	X	DV	/	U	/	WH	/	EM
Product Name	Generation		Color	Voltage		Mounting		Color		Emergency
EXIT =	1A		R = Red G = Green	DV = Dual Voltage (120/277)		U = Universal		WH = White		EM = Emergency Back-Up
Exit Light										

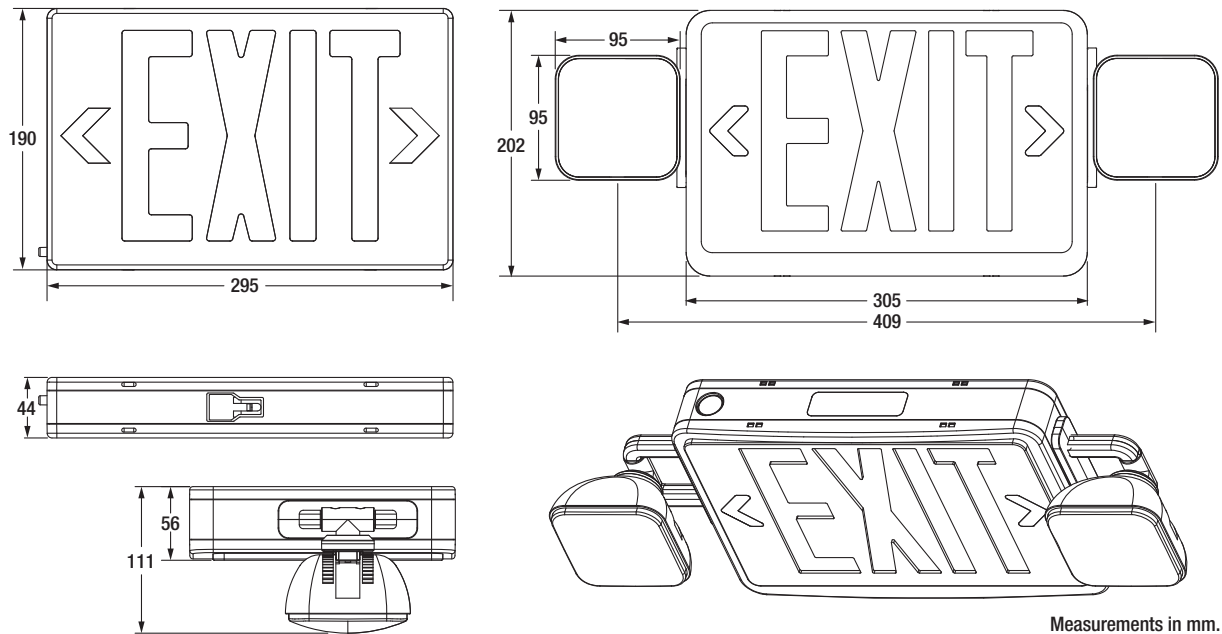
### Combo Exit Signs

EXITCOMBO	1A	/	X	DV	THS	/	U	/	WH	/	EM
Product Name	Generation		Color	Voltage	Combo Type		Mounting		Color		Emergency
EXITCOMBO =	1A		R = Red G = Green	DV = Dual Voltage (120/277)	THS = Twin Head Square		U = Universal		WH = White		EM = Emergency Back-Up
Exit Combo Light											

## Ordering Information

Item Number	Ordering Abbreviation	Power (W)	Input Voltage	Letter Coloring	Total Fixture Lumens	CRI	CCT	Options
60761	EXIT1A/RDV/U/WH/EM	0.5	120/277	Red	4.2	–	–	Emergency Back-up
60762	EXIT1A/GDV/U/WH/EM	0.5	120/277	Green	4.1	–	–	Emergency Back-up
60759	EXITCOMBO1A/RDVTHS/U/WH/EM	2.2	120/277	Red	340	80	6500K	Emergency Back-up
60760	EXITCOMBO1A/GDVTHS/U/WH/EM	2.2	120/277	Green	340	80	6500K	Emergency Back-up

## Physical Information



## Additional Specifications

- Built-in 1.2V 1000mAh Nickel cadmium battery for minimum 90 minutes emergency operation
- Maximum 24 hours for full recharge time
- Test switch and charge indicator

LEDVANCE LLC  
 200 Ballardvale Street  
 Wilmington, MA 01887 USA  
 Phone 1-800-LIGHTBULB (1-800-544-4828)  
 www.sylvania.com

SYLVANIA and LEDVANCE are registered trademarks.  
 All other trademarks are those of their respective owners.  
 Licensee of product trademark SYLVANIA in general lighting.  
 Specifications subject to change without notice.

[/sylvania](https://www.facebook.com/sylvania) [/sylvania](https://www.instagram.com/sylvania)

Name: \_\_\_\_\_  
 Email: \_\_\_\_\_  
 Phone: \_\_\_\_\_

