

SYLVANIA Luminaires

UltraLED™ Selectable Downlights

Item #
Type
Project
Notes
Date

Application

The SYLVANIA UltraLED Selectable Downlights are offered in 5/6", 6", and 8" sizes and provide high performing light optimized for both new construction and retrofit applications where pin based compact fluorescent lamps have previously been used. The installation is done quickly and easily in most standard frames. The lumen and CCT selectable switches allow for customizable light replacing up to two 26W compact fluorescent lamps and offering up to 52% energy savings when compared to traditional technologies.

Benefits and Features

- Lumen and CCT selectable light enabled through the two switches located on the base of the product
- This product is available in lumen selectable only versions – enabled through the one switch located on the base of the product
- ENERGY STAR® listed to maximize rebate opportunities
- Available in 5/6", 6" (lumen and lumen and CCT versions), and 8" sizes (lumen selectable versions only)
- Up to 93 LPW
- 2700K, 3000K, 3500K, 4000K, and 5000K and selectable K color temperature
- CRI >90
- Lumen Selectable offered in 9 or 12 watt, 14.5 or 18 watt, and 17 or 25 watt versions
- Lumen and CCT Selectable offered in 9 or 12 watt or 14.5 or 18 watt versions
- CCT Selectable and EMBB Ready offered in 9, 12, 14, 18, 23, 32 or 57 watt versions
- Energy savings up to 52%

Electrical

- 120-277VAC
- Power Factor >90%
- THD <20%
- 0-10V dimmable
- Phase-cut dimmable (9W CCT Selectable/EMBB Ready only)

Rated Life

- 50,000 hours (L₇₀)

Warranty

- 5-year (please see LEDLUM001)



Wattage Comparison

Traditional Source	LED System Wattage	Energy Savings
13 or 18W CFL	9 or 12W	30 or 33%
23 or 32W CFL	14.5 or 18W	37 or 44%
32W or 2x26W CFL	17 or 25W	47 or 52%

Ambient Operating Range

- -4°F to +104°F (-20°C to +40°C)

Certifications and Listings

- cETLus
- ENERGY STAR
- RoHS
- FCC

Installation

- Installation performed as a stand-alone kit (without frame) is recommended for hard ceiling. Installation of a recessed incandescent frame is recommended for tiled ceiling application for proper support of the retrofit kit.



Ordering Guide

One Switch (Lumen Selectable)

RT	SL	XX	R	1A	XXXXXX	U	D	9	XX
RT = Retrofit Downlight	SL = Selectable Lumen	Size 56 = 5/6" 6 = 6" 8 = 8"	Shape R = Round	Generation	Light Output 700900 = 700 or 900 lumens 12001500 = 1200 or 1500 lumens 15002000 = 1500 or 2000 lumens	Voltage U = 120-277V	Dimming D = 0-10V	CRI 9 = >90	CCT 27 = 2700K 30 = 3000K 35 = 3500K 40 = 4000K 50 = 5000K


Two Switch (Lumen and CCT Selectable)

RT	SD	XX	1A	XXXX	U	D	9	303540
RT = Retrofit Downlight	SD = Dual Selectable (Lumen and CCT)	Size 56 = 5/6" 6 = 6"	Generation	Light Output 79 = 700 or 900 lumens 1215 = 1200 or 1500 lumens	Voltage U = 120-277V	Dimming D = 0-10V	CRI 9 = >90	CCT 303540 = 3000K, 3500K or 4000K

CCT Selectable and EMBB Ready

LED	RT	XX	/	R	3C	/	XXXX	U	D	9	SC8
LED	RT = Retrofit Downlight	Size 56 = 5/6" 6 = 6" 8 = 8"		Shape R = Round	Generation 3C = Generation 3C		Light Output 700 = 700 lumens 900 = 900 lumens 1200 = 1200 lumens 1500 = 1500 lumens 2000 = 2000 lumens 3000 = 3000 lumens 5000 = 5000 lumens	Voltage U = 120-277V	Dimming D = 0-10V	CRI 9 = >90	Selectable CCT SC8 = 3000K, 3500K or 4000K or 5000K

Ordering Information

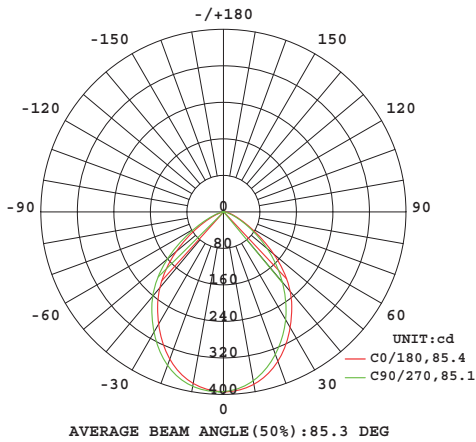
Item Number	Ordering Abbreviation	Power (W)	Input Voltage	Dimming	CRI	Color Temp (CCT)	Total Fixture Lumens	Lumens per Watt	ENERGY STAR® Listed	 MTO*
Lumen Selectable Only										
60742	RTSL56R1A700900UD927	9 or 12	120-277	0-10V	90	2700K	700 or 900	75	Yes	-
60743	RTSL56R1A700900UD930	9 or 12	120-277	0-10V	90	3000K	700 or 900	75	Yes	-
60744	RTSL56R1A700900UD935	9 or 12	120-277	0-10V	90	3500K	700 or 900	75	Yes	-
60745	RTSL56R1A700900UD940	9 or 12	120-277	0-10V	90	4000K	700 or 900	75	Yes	-
60746	RTSL56R1A700900UD950	9 or 12	120-277	0-10V	90	5000K	700 or 900	75	Yes	MTO
60747	RTSL6R1A12001500UD927	14.5 or 18	120-277	0-10V	90	2700K	1200 or 1500	83	Yes	MTO
60748	RTSL6R1A12001500UD930	14.5 or 18	120-277	0-10V	90	3000K	1200 or 1500	83	Yes	MTO
60749	RTSL6R1A12001500UD935	14.5 or 18	120-277	0-10V	90	3500K	1200 or 1500	83	Yes	-
60750	RTSL6R1A12001500UD940	14.5 or 18	120-277	0-10V	90	4000K	1200 or 1500	83	Yes	-
60751	RTSL6R1A12001500UD950	14.5 or 18	120-277	0-10V	90	5000K	1200 or 1500	83	Yes	-
60752	RTSL8R1A15002000UD927	17 or 25	120-277	0-10V	90	2700K	1500 or 2000	80	Yes	MTO
60753	RTSL8R1A15002000UD930	17 or 25	120-277	0-10V	90	3000K	1500 or 2000	80	Yes	-
60754	RTSL8R1A15002000UD935	17 or 25	120-277	0-10V	90	3500K	1500 or 2000	80	Yes	-
60755	RTSL8R1A15002000UD940	17 or 25	120-277	0-10V	90	4000K	1500 or 2000	80	Yes	-
60756	RTSL8R1A15002000UD950	17 or 25	120-277	0-10V	90	5000K	1500 or 2000	80	Yes	-
Lumen and CCT Selectable										
60814	RTSD561A79UD9303540	9 or 12	120-277	0-10V	90	3000, 3500 or 4000K	700 or 900	75	Yes	-
60815	RTSD61A1215UD9303540	14.5 or 18	120-277	0-10V	90	3000, 3500 or 4000K	1200 or 1500	83	Yes	-
CCT Selectable and EMBB Ready										
65472	LEDRT56/R3C/700ST/9SC8	9	120	Phase-cut	90	3000, 3500, 4000 or 5000K	700	77	Yes	-
65473	LEDRT56/R3C/700UD/9SC8	9	120-277	0-10V	90	3000, 3500, 4000 or 5000K	700	77	Yes	-
65474	LEDRT56/R3C/900UD/9SC8	12	120-277	0-10V	90	3000, 3500, 4000 or 5000K	900	75	Yes	-
65475	LEDRT6/R3C/1200UD/9SC8	14	120-277	0-10V	90	3000, 3500, 4000 or 5000K	1200	88	Yes	-
65476	LEDRT6/R3C/1500UD/9SC8	18	120-277	0-10V	90	3000, 3500, 4000 or 5000K	1500	88	Yes	-
65477	LEDRT8/R3C/900UD/9SC8	12	120-277	0-10V	90	3000, 3500, 4000 or 5000K	900	86	Yes	-
65478	LEDRT8/R3C/1500UD/9SC8	18	120-277	0-10V	90	3000, 3500, 4000 or 5000K	1500	86	Yes	-
65479	LEDRT8/R3C/2000UD/9SC8	23	120-277	0-10V	90	3000, 3500, 4000 or 5000K	2000	86	Yes	-
65480	LEDRT8/R3C/3000UD/9SC8	32	120-277	0-10V	90	3000, 3500, 4000 or 5000K	3000	93	Yes	-
65481	LEDRT8/R3C/5000UD/9SC8	57	120-277	0-10V	90	3000, 3500, 4000 or 5000K	5000	87	Yes	-

*Made To Order

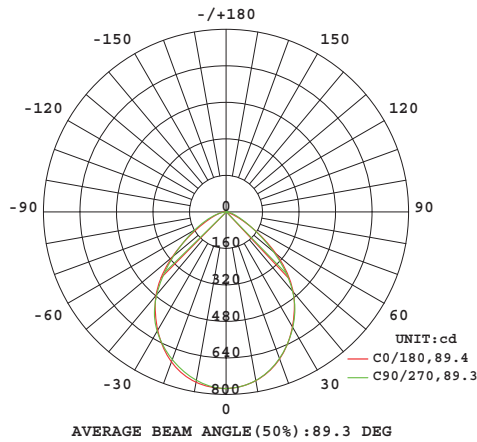
Photometrics

Luminous Intensity Distribution Diagrams

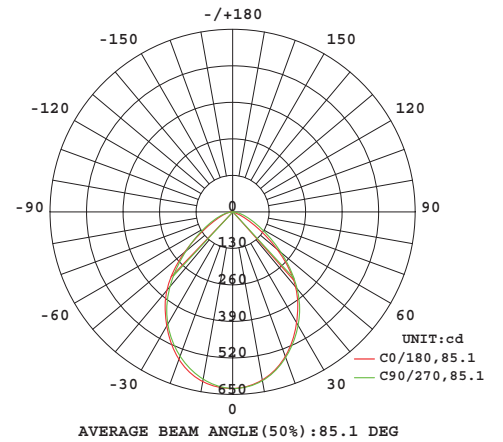
700/900lm



1500/2000lm One Switch



1200/1500lm Two Switch



Zonal Lumen Distribution

Zone	Lumens	% Retrofit Kit
0-20	170	18
0-30	350	38
0-40	549	59
0-60	838	91
0-80	919	99
0-90	925	100
10-90	880	95
20-40	379	41
20-50	551	60
40-70	348	38
60-80	81	9
70-80	22	2
80-90	6	1
0-180	925	100

Zonal Lumen Distribution

Zone	Lumens	% Retrofit Kit
0-20	279	18
0-30	572	38
0-40	894	59
0-60	1370	90
0-80	1508	99
0-90	1518	100
10-90	1444	95
20-40	615	41
20-50	897	59
40-70	577	38
60-80	138	9
70-80	37	2
80-90	10	1
0-180	1518	100

Zonal Lumen Distribution

Zone	Lumens	% Retrofit Kit
0-20	360	18
0-30	749	37
0-40	1198	59
0-60	1857	91
0-80	2020	99
0-90	2034	100
10-90	1940	95
20-40	838	41
20-50	1242	61
40-70	772	38
60-80	163	8
70-80	50	3
80-90	14	1
0-180	2034	100

Illuminance at a Distance

Distance to Illuminated Plane (feet)	Footcandles Beam Center	Footcandles Beam Edge	Beam Diameter (feet)
2	119.7 fc	22.9 fc	3.8
4	29.9 fc	5.7 fc	7.6
6	13.3 fc	2.5 fc	11.4
8	7.5 fc	1.4 fc	15.2
10	4.8 fc	0.9 fc	19
12	3.3 fc	0.6 fc	22.8

Illuminance at a Distance

Distance to Illuminated Plane (feet)	Footcandles Beam Center	Footcandles Beam Edge	Beam Diameter (feet)
2	196.6 fc	38 fc	3.8
4	49.2 fc	9.5 fc	7.5
6	21.8 fc	4.2 fc	11.3
8	12.3 fc	2.4 fc	15.1
10	7.9 fc	1.5 fc	18.8
12	5.5 fc	1.1 fc	22.6

Illuminance at a Distance

Distance to Illuminated Plane (feet)	Footcandles Beam Center	Footcandles Beam Edge	Beam Diameter (feet)
2	250.5 fc	42 fc	4.1
4	62.6 fc	10.5 fc	8.3
6	27.8 fc	4.7 fc	12.4
8	15.7 fc	2.6 fc	16.6
10	10 fc	1.7 fc	20.7
12	7 fc	1.2 fc	24.9

Spacing to Mounting Height Ratio

Spacing Criterion (0-180)	1.12
Spacing Criterion (90-270)	1.14
Spacing Criterion (Diagonal)	1.22

Spacing to Mounting Height Ratio

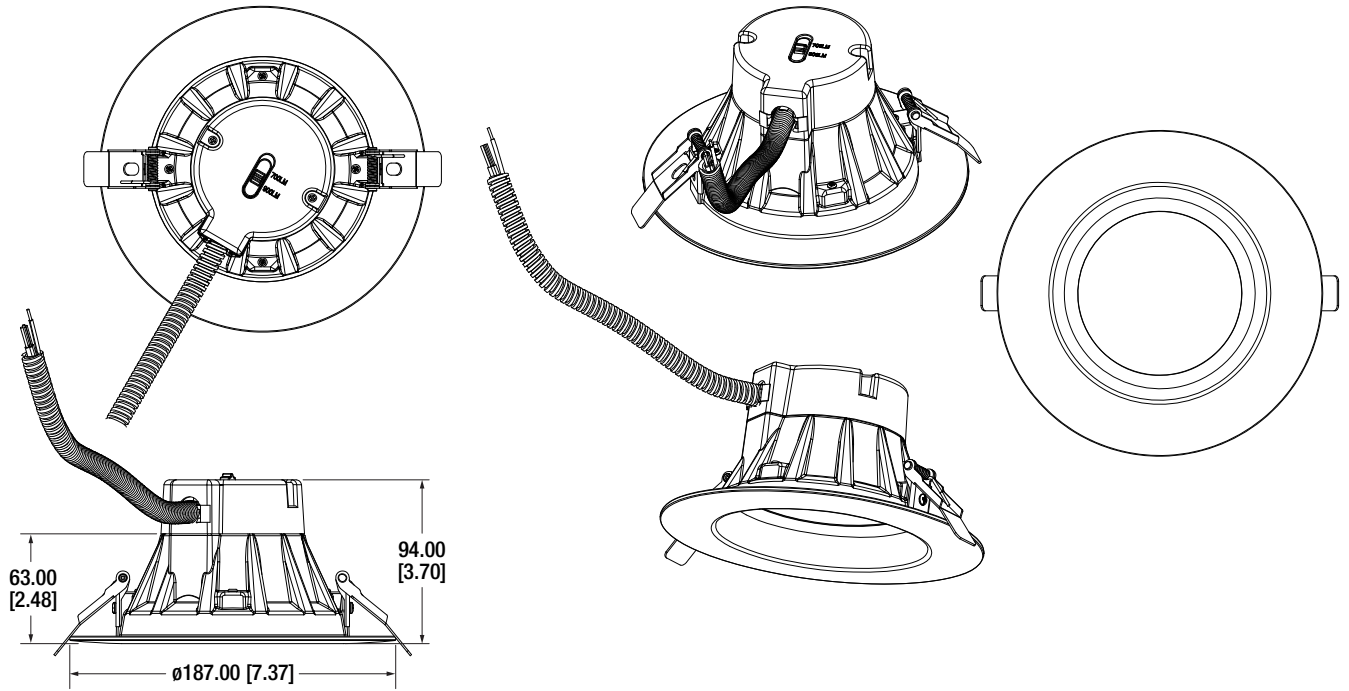
Spacing Criterion (0-180)	1.12
Spacing Criterion (90-270)	1.14
Spacing Criterion (Diagonal)	1.2

Spacing to Mounting Height Ratio

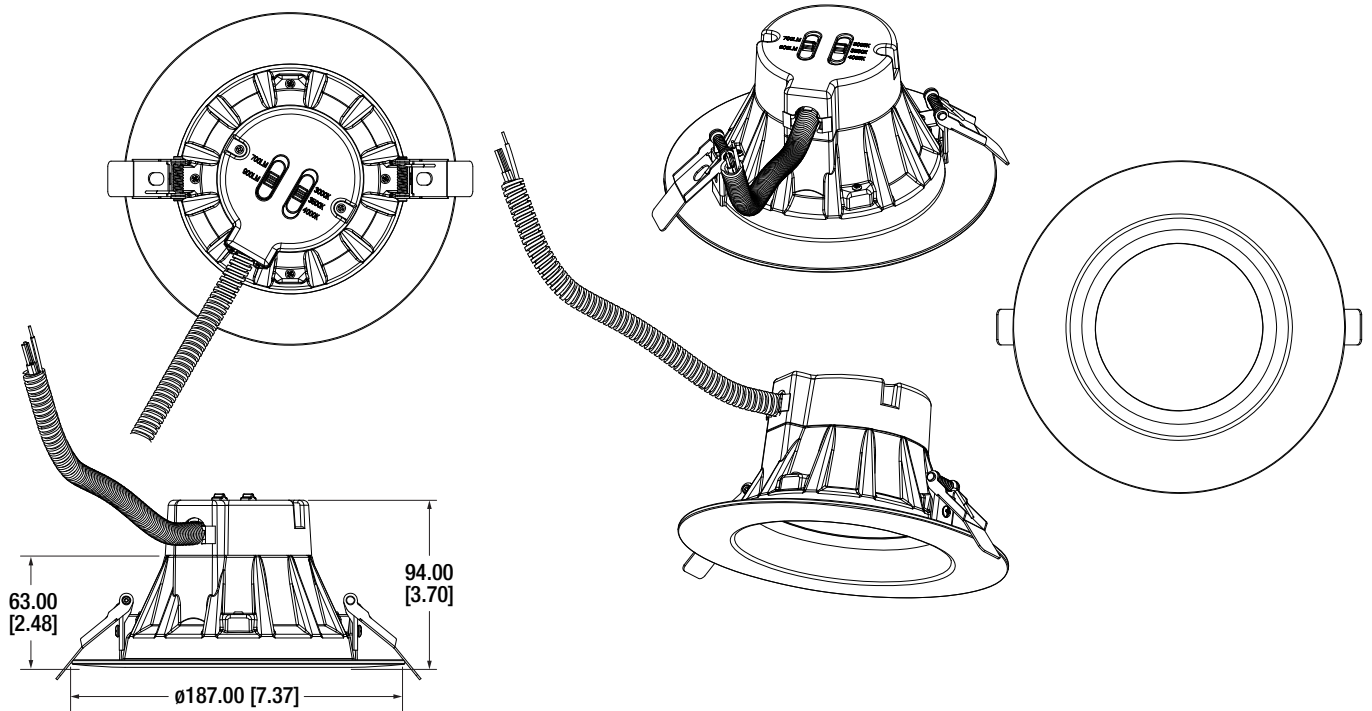
Spacing Criterion (0-180)	1.18
Spacing Criterion (90-270)	1.2
Spacing Criterion (Diagonal)	1.26

Physical Information

RT6 700-900 One Switch

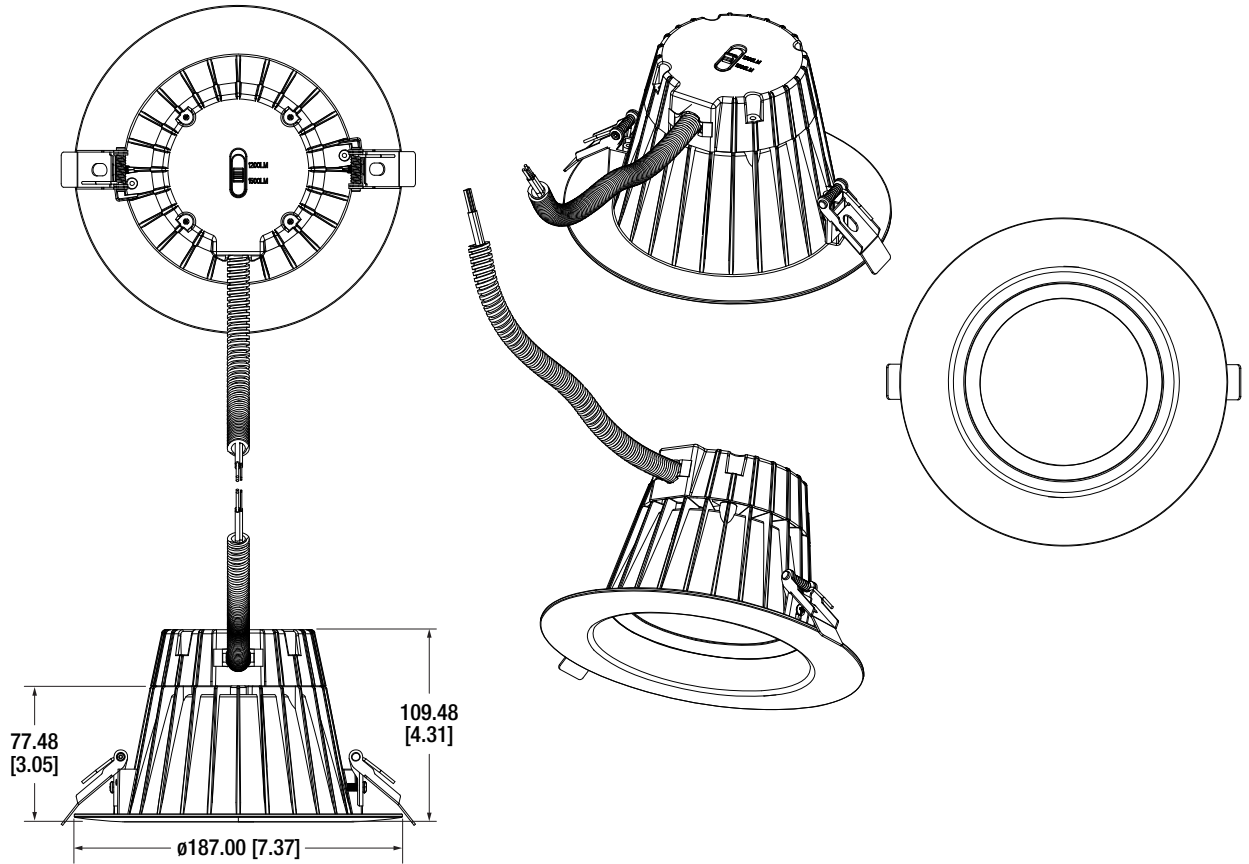


RT6 700-900 Two Switch

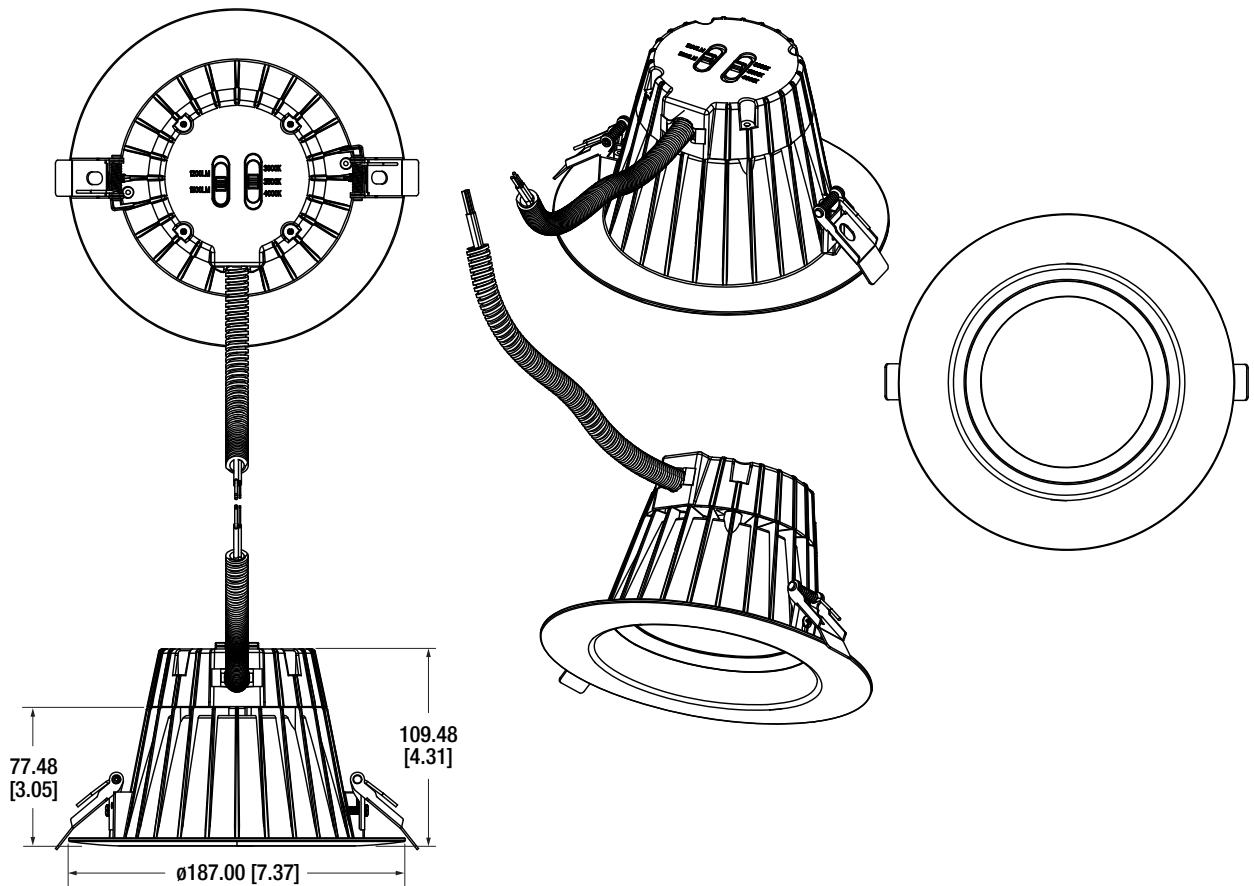


Physical Information (continued)

RT6 1200-1500 One Switch

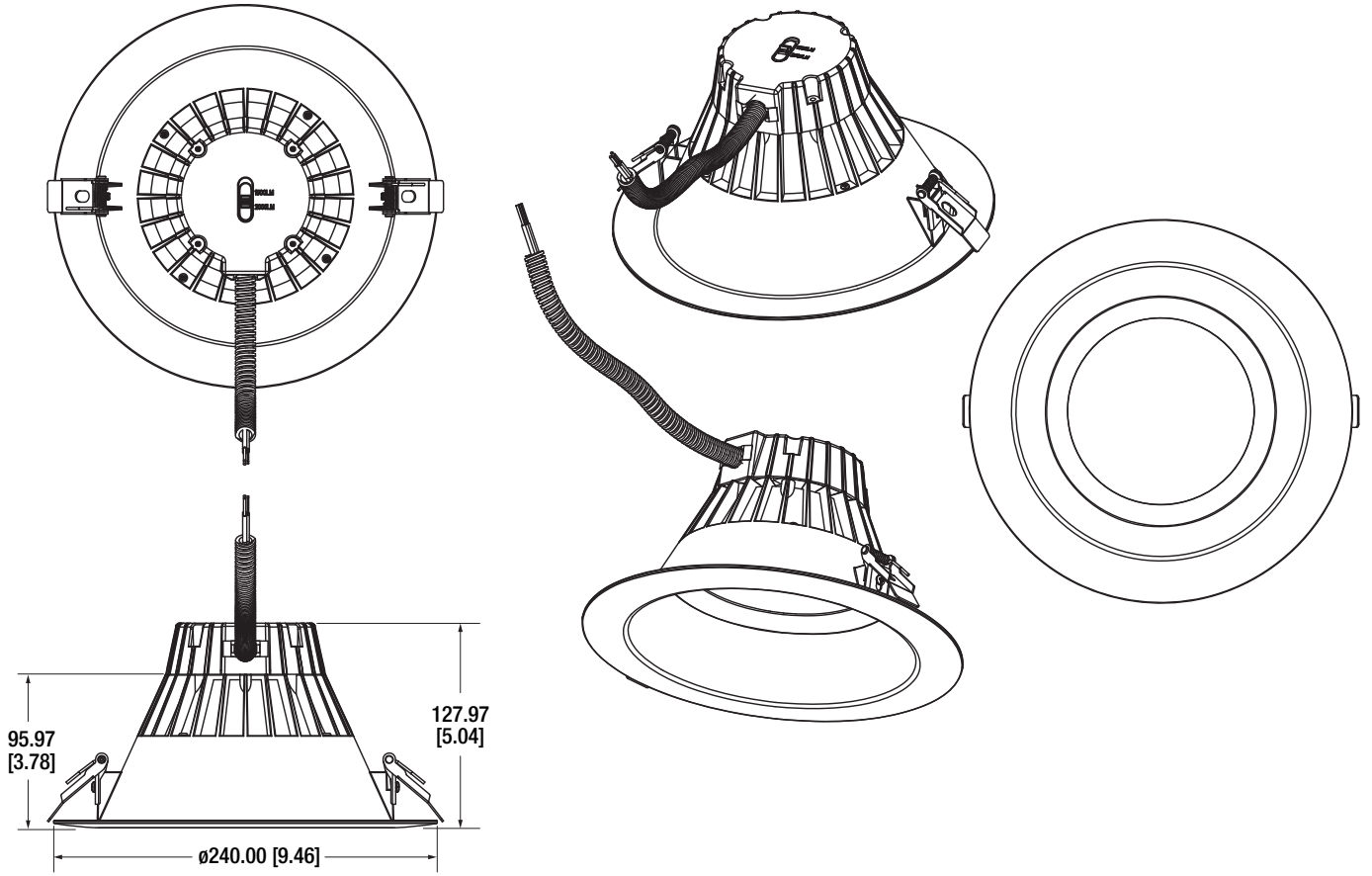


RT6 1200-1500 Two Switch



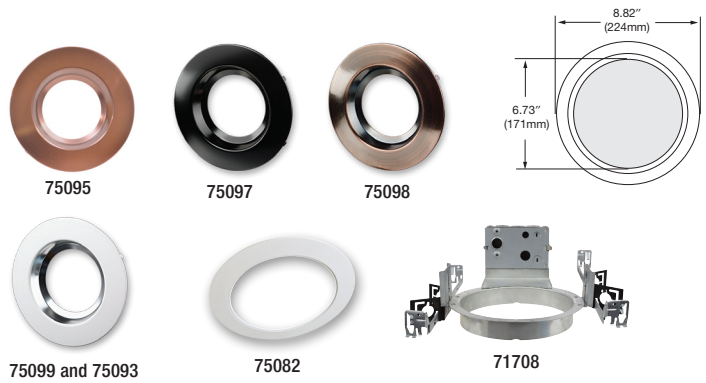
Physical Information (continued)

RT6 1500-2000 One Switch



Accessories

Item Number	Ordering Abbreviation	Item Description
Trim Rings		
75095	RT/5/6/TRIM/DKBZ	Dark bronze trim ring (5/6")
75097	RT/5/6/TRIM/BLK	Black trim ring (5/6")
75098	RT/5/6/TRIM/ORBZ	Bronze trim ring (5/6")
75099	RT/5/6/TRIM/SN	Satin nickel trim ring (5/6")
Trim Ring Extender		
75082	RT6/8/TRIMEXT	Trim extender for 8" cans
Rough In Frame		
71708	LED/RT6HO/FRAME	6" recessed rough-in frame



Additional Specifications

- Compatible with 0-10V Dimmers.
- Suitable for dry, damp, and wet indoor or outdoor locations.
- Not intended for use with emergency light fixtures or exit lights.
- Standard 5-year luminaire warranty (LEDLUM001).

LEDVANCE LLC
200 Ballardvale Street
Wilmington, MA 01887 USA
Phone 1-800-LIGHTBULB (1-800-544-4828)
www.sylvania.com

SYLVANIA and LEDVANCE are registered trademarks.
All other trademarks are those of their respective owners.
Licensee of product trademark SYLVANIA in general lighting.
Specifications subject to change without notice.

 /sylvania  /sylvania

© 2020 LEDVANCE LLC

Name: _____

Email: _____

Phone: _____

