

SYLVANIA Luminaires

UltraLED™ Retrofit Door Kit

Item #
Type
Project
Notes
Date

Application

Ideal for illuminating office, retail, hospitality, or general purpose areas.

Benefits and Features

- Up to 130 LPW
- 3500K, 4000K and 5000K color temperature
- CRI >80
- Offered in 18, 23 and 33 watts
- Energy savings up to 60%

Electrical

- The luminaire is designed to operate through the 120-277 V_{AC} (UNV) or 120-347V_{AC} (UNH) (see Ordering Guide for further information)
- The power factor is ≥90%
- THD is ≤20%
- 0-10V dimmable

Rated Life

- >100,000 hours (L₇₀)

Warranty

- 5-year

Ambient Operating Range

- -4°F to +104°F (-20°C to +40°C)

Certifications and Listings

- cULus listed for damp applications
- RoHS
- FCC
- DLC Premium

Installation

- Intended for installation in existing troffers



Wattage Comparison

Traditional Source	Traditional System Wattage	LED System Wattage	Energy Savings
3 x 17W T8	48	23	52%
2 x U31 T8	56	23	59%
3 x 28W T8	73	33	55%
3 x 32W T8	83	33	60%



Ordering Guide

RDORKIT	3A	/ XX	UNV	D	8	XX	/ XX	U	/ WH	/ —
Product Name	Generation	Wattage	Voltage	Dimming	CRI	Color Temp	Dimensions	Mounting	Color/Finish	Options
RDORKIT	3A	18 = 18 Watts 23 = 23 Watts 33 = 33 Watts	UNV = 120-277V UNH = 120-347V	D = 0-10V Dimming	8 = >80	35 = 3500K 40 = 4000K 50 = 5000K	22 = 2x2 24 = 2x4	U = Universal Mounting	WH = white	blank = no option E = Emergency Battery Back-up D = Daylight and motion sensor

Ordering Information

Item Number	Ordering Abbreviation	Wattage	Nominal Voltage	Dimming	CRI	Color Temp	Dimensions	Total Fixture				Options
								Lumens	LPW	DLC	MTO*	
Lower-Wattage Versions												
61055	RDORKIT3A/018UNVD835/22U/WH	18	120-277	0-10V	>80	3500K	2x2	2400	125	Prm	MTO	—
61056	RDORKIT3A/018UNVD840/22U/WH	18	120-277	0-10V	>80	4000K	2x2	2400	125	Prm	MTO	—
61057	RDORKIT3A/018UNVD850/22U/WH	18	120-277	0-10V	>80	5000K	2x2	2400	125	Prm	MTO	—
61058	RDORKIT3A/023UNVD835/24U/WH	23	120-277	0-10V	>80	3500K	2x4	3000	126	Prm	MTO	—
61059	RDORKIT3A/023UNVD840/24U/WH	23	120-277	0-10V	>80	4000K	2x4	3000	126	Prm	MTO	—
61060	RDORKIT3A/023UNVD850/24U/WH	23	120-277	0-10V	>80	5000K	2x4	3000	126	Prm	MTO	—
61414	RDORKIT3A/018UNVD835/22U/WH/D	18	120-277	0-10V	>80	3500K	2x2	2400	125	Prm	MTO	Daylight and motion sensor
61415	RDORKIT3A/018UNVD840/22U/WH/D	18	120-277	0-10V	>80	4000K	2x2	2400	125	Prm	MTO	Daylight and motion sensor
61416	RDORKIT3A/018UNVD850/22U/WH/D	18	120-277	0-10V	>80	5000K	2x2	2400	125	Prm	MTO	Daylight and motion sensor
61417	RDORKIT3A/023UNVD835/24U/WH/D	23	120-277	0-10V	>80	3500K	2x4	3000	126	Prm	MTO	Daylight and motion sensor
61418	RDORKIT3A/023UNVD840/24U/WH/D	23	120-277	0-10V	>80	4000K	2x4	3000	126	Prm	MTO	Daylight and motion sensor
61419	RDORKIT3A/023UNVD850/24U/WH/D	23	120-277	0-10V	>80	5000K	2x4	3000	126	Prm	MTO	Daylight and motion sensor
61420	RDORKIT3A/018UNVD835/22U/WH/E	18	120-277	0-10V	>80	3500K	2x2	2400	125	Prm	MTO	Emergency Battery Back-up
61421	RDORKIT3A/018UNVD840/22U/WH/E	18	120-277	0-10V	>80	4000K	2x2	2400	125	Prm	MTO	Emergency Battery Back-up
61422	RDORKIT3A/018UNVD850/22U/WH/E	18	120-277	0-10V	>80	5000K	2x2	2400	125	Prm	MTO	Emergency Battery Back-up
61423	RDORKIT3A/023UNVD835/24U/WH/E	23	120-277	0-10V	>80	3500K	2x4	3000	126	Prm	MTO	Emergency Battery Back-up
61424	RDORKIT3A/023UNVD840/24U/WH/E	23	120-277	0-10V	>80	4000K	2x4	3000	126	Prm	MTO	Emergency Battery Back-up
61425	RDORKIT3A/023UNVD850/24U/WH/E	23	120-277	0-10V	>80	5000K	2x4	3000	126	Prm	MTO	Emergency Battery Back-up
60616	RDORKIT3A/023UNVD835/22U/WH	23	120-277	0-10V	>80	3500K	2x2	2900	126	Prm	—	—
60617	RDORKIT3A/023UNVD840/22U/WH	23	120-277	0-10V	>80	4000K	2x2	2900	126	Prm	—	—
60618	RDORKIT3A/023UNVD850/22U/WH	23	120-277	0-10V	>80	5000K	2x2	2900	126	Prm	—	—
60619	RDORKIT3A/033UNVD835/24U/WH	33	120-277	0-10V	>80	3500K	2x4	4100	125	Prm	—	—
60620	RDORKIT3A/033UNVD840/24U/WH	33	120-277	0-10V	>80	4000K	2x4	4100	125	Prm	—	—
60621	RDORKIT3A/033UNVD850/24U/WH	33	120-277	0-10V	>80	5000K	2x4	4100	125	Prm	—	—
60807	RDORKIT3A/023UNVD835/22U/WH/E	23	120-277	0-10V	>80	3500K	2x2	2900	126	Prm	MTO	Emergency Battery Back-up
60808	RDORKIT3A/023UNVD840/22U/WH/E	23	120-277	0-10V	>80	4000K	2x2	2900	126	Prm	MTO	Emergency Battery Back-up
60809	RDORKIT3A/023UNVD850/22U/WH/E	23	120-277	0-10V	>80	5000K	2x2	2900	126	Prm	MTO	Emergency Battery Back-up
60810	RDORKIT3A/033UNVD835/24U/WH/E	33	120-277	0-10V	>80	3500K	2x4	4100	126	Prm	MTO	Emergency Battery Back-up
60811	RDORKIT3A/033UNVD840/24U/WH/E	33	120-277	0-10V	>80	4000K	2x4	4100	126	Prm	MTO	Emergency Battery Back-up
60812	RDORKIT3A/033UNVD850/24U/WH/E	33	120-277	0-10V	>80	5000K	2x4	4100	126	Prm	MTO	Emergency Battery Back-up
60981	RDORKIT3A/023UNHD835/22U/WH	23	120-347	0-10V	>80	3500K	2x2	2900	126	Prm	MTO	—
60982	RDORKIT3A/023UNHD840/22U/WH	23	120-347	0-10V	>80	4000K	2x2	2900	126	Prm	MTO	—
60983	RDORKIT3A/023UNHD850/22U/WH	23	120-347	0-10V	>80	5000K	2x2	2900	126	Prm	MTO	—
60984	RDORKIT3A/033UNHD835/24U/WH	33	120-347	0-10V	>80	3500K	2x4	4100	126	Prm	MTO	—
60985	RDORKIT3A/033UNHD840/24U/WH	33	120-347	0-10V	>80	4000K	2x4	4100	126	Prm	MTO	—
60986	RDORKIT3A/033UNHD850/24U/WH	33	120-347	0-10V	>80	5000K	2x4	4100	126	Prm	MTO	—
60987	RDORKIT3A/023UNVD835/22U/WH/D	23	120-277	0-10V	>80	3500K	2x2	2900	126	Prm	MTO	Daylight and motion sensor
60988	RDORKIT3A/023UNVD840/22U/WH/D	23	120-277	0-10V	>80	4000K	2x2	2900	126	Prm	MTO	Daylight and motion sensor
60989	RDORKIT3A/023UNVD850/22U/WH/D	23	120-277	0-10V	>80	5000K	2x2	2900	126	Prm	MTO	Daylight and motion sensor
60990	RDORKIT3A/033UNVD835/24U/WH/D	33	120-277	0-10V	>80	3500K	2x4	4100	126	Prm	MTO	Daylight and motion sensor
60991	RDORKIT3A/033UNVD840/24U/WH/D	33	120-277	0-10V	>80	4000K	2x4	4100	126	Prm	MTO	Daylight and motion sensor
60992	RDORKIT3A/033UNVD850/24U/WH/D	33	120-277	0-10V	>80	5000K	2x4	4100	126	Prm	MTO	Daylight and motion sensor

*Made To Order

Ordering Guide (with Partner Sensor Options)

RDORKIT	3A	/ XX	UNV	D	8	XX	/ XX	U	/ WH	/ XX
Product Name	Generation	Wattage	Voltage	Dimming	CRI	Color Temp	Dimensions	Mounting	Color/Finish	Partner Sensor Options
RDORKIT	3A	18 = 18 Watts 23 = 23 Watts 33 = 33 Watts	UNV = 120-277V UNH = 120-347V	D = 0-10V Dimming	8 = >80	35 = 3500K 40 = 4000K 50 = 5000K	22 = 2x2 24 = 2x4	U = Universal Mounting	WH = white	D = Daylight and motion sensor A1 = Enlighted Micro Sensor B1 = Enlighted Micro Sensor with Emergency Battery Back-up A2 = Lutron Vive Integral Fixture Control (RF only) B2 = Lutron Vive Integral Fixture Control (RF only) with Emergency Battery Back-up A3 = Lutron Vive Integral Fixture Control with Sensor B3 = Lutron Vive Integral Fixture Control with Sensor and Emergency Battery Back-up A4 = OSRAM SensiLUM B4 = OSRAM SensiLUM with Emergency Battery Back-up A5 = OSRAM ENCCELUM CLM B5 = OSRAM ENCCELUM CLM with Emergency Battery Back-up A6 = OSRAM ZigBee CLM B6 = OSRAM ZigBee CLM with Emergency Battery Back-up

Enlighted Micro Sensor



LUTRON Vive Sensor



OSRAM SensiLUM Sensor




Ordering Information (continued)

Item Number	Ordering Abbreviation	Wattage	Nominal Voltage	Dimming	CRI	Color Temp	Dimensions	Total Fixture Lumens	LPW	DLC	MTO*	Options
Partner Sensor Options												
61049	RDORKIT3A/023UNVD835/22U/WH/A1	23	120-277	0-10V	>80	3500K	2x2	2900	126	Prm	MTO	Enlighted Micro Sensor**
61050	RDORKIT3A/023UNVD840/22U/WH/A1	23	120-277	0-10V	>80	4000K	2x2	2900	126	Prm	MTO	Enlighted Micro Sensor**
61051	RDORKIT3A/023UNVD850/22U/WH/A1	23	120-277	0-10V	>80	5000K	2x2	2900	126	Prm	MTO	Enlighted Micro Sensor**
61052	RDORKIT3A/033UNVD835/24U/WH/A1	33	120-277	0-10V	>80	3500K	2x4	4100	126	Prm	MTO	Enlighted Micro Sensor**
61053	RDORKIT3A/033UNVD840/24U/WH/A1	33	120-277	0-10V	>80	4000K	2x4	4100	126	Prm	MTO	Enlighted Micro Sensor**
61054	RDORKIT3A/033UNVD850/24U/WH/A1	33	120-277	0-10V	>80	5000K	2x4	4100	126	Prm	MTO	Enlighted Micro Sensor**
60975	RDORKIT3A/023UNVD835/22U/WH/B1	23	120-277	0-10V	>80	3500K	2x2	2900	126	Prm	MTO	Enlighted Micro Sensor** with Emergency Battery Back-up
60976	RDORKIT3A/023UNVD840/22U/WH/B1	23	120-277	0-10V	>80	4000K	2x2	2900	126	Prm	MTO	Enlighted Micro Sensor** with Emergency Battery Back-up
60977	RDORKIT3A/023UNVD850/22U/WH/B1	23	120-277	0-10V	>80	5000K	2x2	2900	126	Prm	MTO	Enlighted Micro Sensor** with Emergency Battery Back-up
60978	RDORKIT3A/033UNVD835/24U/WH/B1	33	120-277	0-10V	>80	3500K	2x4	4100	126	Prm	MTO	Enlighted Micro Sensor** with Emergency Battery Back-up
60979	RDORKIT3A/033UNVD840/24U/WH/B1	33	120-277	0-10V	>80	4000K	2x4	4100	126	Prm	MTO	Enlighted Micro Sensor** with Emergency Battery Back-up
60980	RDORKIT3A/033UNVD850/24U/WH/B1	33	120-277	0-10V	>80	5000K	2x4	4100	126	Prm	MTO	Enlighted Micro Sensor** with Emergency Battery Back-up
60957	RDORKIT3A/023UNVD835/22U/WH/A2	23	120-277	0-10V	>80	3500K	2x2	2900	126	Prm	MTO	Lutron Vive Integral Fixture Control (RF only)
60958	RDORKIT3A/023UNVD840/22U/WH/A2	23	120-277	0-10V	>80	4000K	2x2	2900	126	Prm	MTO	Lutron Vive Integral Fixture Control (RF only)
60959	RDORKIT3A/023UNVD850/22U/WH/A2	23	120-277	0-10V	>80	5000K	2x2	2900	126	Prm	MTO	Lutron Vive Integral Fixture Control (RF only)
60960	RDORKIT3A/033UNVD835/24U/WH/A2	33	120-277	0-10V	>80	3500K	2x4	4100	126	Prm	MTO	Lutron Vive Integral Fixture Control (RF only)
60961	RDORKIT3A/033UNVD840/24U/WH/A2	33	120-277	0-10V	>80	4000K	2x4	4100	126	Prm	MTO	Lutron Vive Integral Fixture Control (RF only)
60962	RDORKIT3A/033UNVD850/24U/WH/A2	33	120-277	0-10V	>80	5000K	2x4	4100	126	Prm	MTO	Lutron Vive Integral Fixture Control (RF only)
60963	RDORKIT3A/023UNVD835/22U/WH/B2	23	120-277	0-10V	>80	3500K	2x2	2900	126	Prm	MTO	Lutron Vive Integral Fixture Control (RF only) with Emergency Battery Back-up
60964	RDORKIT3A/023UNVD840/22U/WH/B2	23	120-277	0-10V	>80	4000K	2x2	2900	126	Prm	MTO	Lutron Vive Integral Fixture Control (RF only) with Emergency Battery Back-up
60965	RDORKIT3A/023UNVD850/22U/WH/B2	23	120-277	0-10V	>80	5000K	2x2	2900	126	Prm	MTO	Lutron Vive Integral Fixture Control (RF only) with Emergency Battery Back-up

*Made To Order

**Default: Independent Lighting/One

Ordering Information (continued)

Item Number	Ordering Abbreviation	Wattage	Nominal Voltage	Dimming	CRI	Color Temp	Dimensions	Total Fixture Lumens	LPW	DLC	 MTO*	Options
60966	RDORKIT3A/033UNVD835/24U/WH/B2	33	120-277	0-10V	>80	3500K	2x4	4100	126	Prm	MTO	Lutron Vive Integral Fixture Control (RF only) with Emergency Battery Back-up
60967	RDORKIT3A/033UNVD840/24U/WH/B2	33	120-277	0-10V	>80	4000K	2x4	4100	126	Prm	MTO	Lutron Vive Integral Fixture Control (RF only) with Emergency Battery Back-up
60968	RDORKIT3A/033UNVD850/24U/WH/B2	33	120-277	0-10V	>80	5000K	2x4	4100	126	Prm	MTO	Lutron Vive Integral Fixture Control (RF only) with Emergency Battery Back-up
60999	RDORKIT3A/023UNVD835/22U/WH/A3	23	120-277	0-10V	>80	3500K	2x2	2900	126	Prm	MTO	Lutron Vive Integral Fixture Control with Sensor
61000	RDORKIT3A/023UNVD840/22U/WH/A3	23	120-277	0-10V	>80	4000K	2x2	2900	126	Prm	MTO	Lutron Vive Integral Fixture Control with Sensor
61001	RDORKIT3A/023UNVD850/22U/WH/A3	23	120-277	0-10V	>80	5000K	2x2	2900	126	Prm	MTO	Lutron Vive Integral Fixture Control with Sensor
61002	RDORKIT3A/033UNVD835/24U/WH/A3	33	120-277	0-10V	>80	3500K	2x4	4100	126	Prm	MTO	Lutron Vive Integral Fixture Control with Sensor
61003	RDORKIT3A/033UNVD840/24U/WH/A3	33	120-277	0-10V	>80	4000K	2x4	4100	126	Prm	MTO	Lutron Vive Integral Fixture Control with Sensor
61004	RDORKIT3A/033UNVD850/24U/WH/A3	33	120-277	0-10V	>80	5000K	2x4	4100	126	Prm	MTO	Lutron Vive Integral Fixture Control with Sensor
61035	RDORKIT3A/023UNVD835/22U/WH/B3	23	120-277	0-10V	>80	3500K	2x2	2900	126	Prm	MTO	Lutron Vive Integral Fixture Control with Sensor and Emergency Battery Back-up
61036	RDORKIT3A/023UNVD840/22U/WH/B3	23	120-277	0-10V	>80	4000K	2x2	2900	126	Prm	MTO	Lutron Vive Integral Fixture Control with Sensor and Emergency Battery Back-up
61037	RDORKIT3A/023UNVD850/22U/WH/B3	23	120-277	0-10V	>80	5000K	2x2	2900	126	Prm	MTO	Lutron Vive Integral Fixture Control with Sensor and Emergency Battery Back-up
61038	RDORKIT3A/033UNVD835/24U/WH/B3	33	120-277	0-10V	>80	3500K	2x4	4100	126	Prm	MTO	Lutron Vive Integral Fixture Control with Sensor and Emergency Battery Back-up
61039	RDORKIT3A/033UNVD840/24U/WH/B3	33	120-277	0-10V	>80	4000K	2x4	4100	126	Prm	MTO	Lutron Vive Integral Fixture Control with Sensor and Emergency Battery Back-up
61040	RDORKIT3A/033UNVD850/24U/WH/B3	33	120-277	0-10V	>80	5000K	2x4	4100	126	Prm	MTO	Lutron Vive Integral Fixture Control with Sensor and Emergency Battery Back-up
61017	RDORKIT3A/023UNVD835/22U/WH/A4	23	120-277	0-10V	>80	3500K	2x2	2900	126	Prm	MTO	OSRAM SensiLUM
61018	RDORKIT3A/023UNVD840/22U/WH/A4	23	120-277	0-10V	>80	4000K	2x2	2900	126	Prm	MTO	OSRAM SensiLUM
61019	RDORKIT3A/023UNVD850/22U/WH/A4	23	120-277	0-10V	>80	5000K	2x2	2900	126	Prm	MTO	OSRAM SensiLUM
61020	RDORKIT3A/033UNVD835/24U/WH/A4	33	120-277	0-10V	>80	3500K	2x4	4100	126	Prm	MTO	OSRAM SensiLUM
61021	RDORKIT3A/033UNVD840/24U/WH/A4	33	120-277	0-10V	>80	4000K	2x4	4100	126	Prm	MTO	OSRAM SensiLUM
61022	RDORKIT3A/033UNVD850/24U/WH/A4	33	120-277	0-10V	>80	5000K	2x4	4100	126	Prm	MTO	OSRAM SensiLUM
61029	RDORKIT3A/023UNVD835/22U/WH/B4	23	120-277	0-10V	>80	3500K	2x2	2900	126	Prm	MTO	OSRAM SensiLUM with Emergency Battery Back-up
61030	RDORKIT3A/023UNVD840/22U/WH/B4	23	120-277	0-10V	>80	4000K	2x2	2900	126	Prm	MTO	OSRAM SensiLUM with Emergency Battery Back-up
61031	RDORKIT3A/023UNVD850/22U/WH/B4	23	120-277	0-10V	>80	5000K	2x2	2900	126	Prm	MTO	OSRAM SensiLUM with Emergency Battery Back-up
61032	RDORKIT3A/033UNVD835/24U/WH/B4	33	120-277	0-10V	>80	3500K	2x4	4100	126	Prm	MTO	OSRAM SensiLUM with Emergency Battery Back-up
61033	RDORKIT3A/033UNVD840/24U/WH/B4	33	120-277	0-10V	>80	4000K	2x4	4100	126	Prm	MTO	OSRAM SensiLUM with Emergency Battery Back-up
61034	RDORKIT3A/033UNVD850/24U/WH/B4	33	120-277	0-10V	>80	5000K	2x4	4100	126	Prm	MTO	OSRAM SensiLUM with Emergency Battery Back-up
61005	RDORKIT3A/023UNVD835/22U/WH/A5	23	120-277	0-10V	>80	3500K	2x2	2900	126	Prm	MTO	OSRAM ENCELUM CLM
61006	RDORKIT3A/023UNVD840/22U/WH/A5	23	120-277	0-10V	>80	4000K	2x2	2900	126	Prm	MTO	OSRAM ENCELUM CLM
61007	RDORKIT3A/023UNVD850/22U/WH/A5	23	120-277	0-10V	>80	5000K	2x2	2900	126	Prm	MTO	OSRAM ENCELUM CLM
61008	RDORKIT3A/033UNVD835/24U/WH/A5	33	120-277	0-10V	>80	3500K	2x4	4100	126	Prm	MTO	OSRAM ENCELUM CLM
61009	RDORKIT3A/033UNVD840/24U/WH/A5	33	120-277	0-10V	>80	4000K	2x4	4100	126	Prm	MTO	OSRAM ENCELUM CLM
61010	RDORKIT3A/033UNVD850/24U/WH/A5	33	120-277	0-10V	>80	5000K	2x4	4100	126	Prm	MTO	OSRAM ENCELUM CLM
61011	RDORKIT3A/023UNVD835/22U/WH/B5	23	120-277	0-10V	>80	3500K	2x2	2900	126	Prm	MTO	OSRAM ENCELUM CLM with Emergency Battery Back-up
61012	RDORKIT3A/023UNVD840/22U/WH/B5	23	120-277	0-10V	>80	4000K	2x2	2900	126	Prm	MTO	OSRAM ENCELUM CLM with Emergency Battery Back-up
61013	RDORKIT3A/023UNVD850/22U/WH/B5	23	120-277	0-10V	>80	5000K	2x2	2900	126	Prm	MTO	OSRAM ENCELUM CLM with Emergency Battery Back-up

*Made To Order

Ordering Information (continued)

Item Number	Ordering Abbreviation	Wattage	Nominal Voltage	Dimming	CRI	Color Temp	Dimensions	Total Fixture Lumens	LPW	DLC	MTO*	Options
61014	RDORKIT3A/033UNVD835/24U/WH/B5	33	120-277	0-10V	>80	3500K	2x4	4100	126	Prm	MTO	OSRAM ENCELUM CLM with Emergency Battery Back-up
61015	RDORKIT3A/033UNVD840/24U/WH/B5	33	120-277	0-10V	>80	4000K	2x4	4100	126	Prm	MTO	OSRAM ENCELUM CLM with Emergency Battery Back-up
61016	RDORKIT3A/033UNVD850/24U/WH/B5	33	120-277	0-10V	>80	5000K	2x4	4100	126	Prm	MTO	OSRAM ENCELUM CLM with Emergency Battery Back-up
61023	RDORKIT3A/023UNVD835/22U/WH/A6	23	120-277	0-10V	>80	3500K	2x2	2900	126	Prm	MTO	OSRAM ZigBee CLM
61024	RDORKIT3A/023UNVD840/22U/WH/A6	23	120-277	0-10V	>80	4000K	2x2	2900	126	Prm	MTO	OSRAM ZigBee CLM
61025	RDORKIT3A/023UNVD850/22U/WH/A6	23	120-277	0-10V	>80	5000K	2x2	2900	126	Prm	MTO	OSRAM ZigBee CLM
61026	RDORKIT3A/033UNVD835/24U/WH/A6	33	120-277	0-10V	>80	3500K	2x4	4100	126	Prm	MTO	OSRAM ZigBee CLM
61027	RDORKIT3A/033UNVD840/24U/WH/A6	33	120-277	0-10V	>80	4000K	2x4	4100	126	Prm	MTO	OSRAM ZigBee CLM
61028	RDORKIT3A/033UNVD850/24U/WH/A6	33	120-277	0-10V	>80	5000K	2x4	4100	126	Prm	MTO	OSRAM ZigBee CLM
60993	RDORKIT3A/023UNVD835/22U/WH/B6	23	120-277	0-10V	>80	3500K	2x2	2900	126	Prm	MTO	OSRAM ZigBee CLM with Emergency Battery Back-up
60994	RDORKIT3A/023UNVD840/22U/WH/B6	23	120-277	0-10V	>80	4000K	2x2	2900	126	Prm	MTO	OSRAM ZigBee CLM with Emergency Battery Back-up
60995	RDORKIT3A/023UNVD850/22U/WH/B6	23	120-277	0-10V	>80	5000K	2x2	2900	126	Prm	MTO	OSRAM ZigBee CLM with Emergency Battery Back-up
60996	RDORKIT3A/033UNVD835/24U/WH/B6	33	120-277	0-10V	>80	3500K	2x4	4100	126	Prm	MTO	OSRAM ZigBee CLM with Emergency Battery Back-up
60997	RDORKIT3A/033UNVD840/24U/WH/B6	33	120-277	0-10V	>80	4000K	2x4	4100	126	Prm	MTO	OSRAM ZigBee CLM with Emergency Battery Back-up
60998	RDORKIT3A/033UNVD850/24U/WH/B6	33	120-277	0-10V	>80	5000K	2x4	4100	126	Prm	MTO	OSRAM ZigBee CLM with Emergency Battery Back-up

*Made To Order

Photometrics

Average Illuminance (FC) at 30" AFF and avg/min uniformity

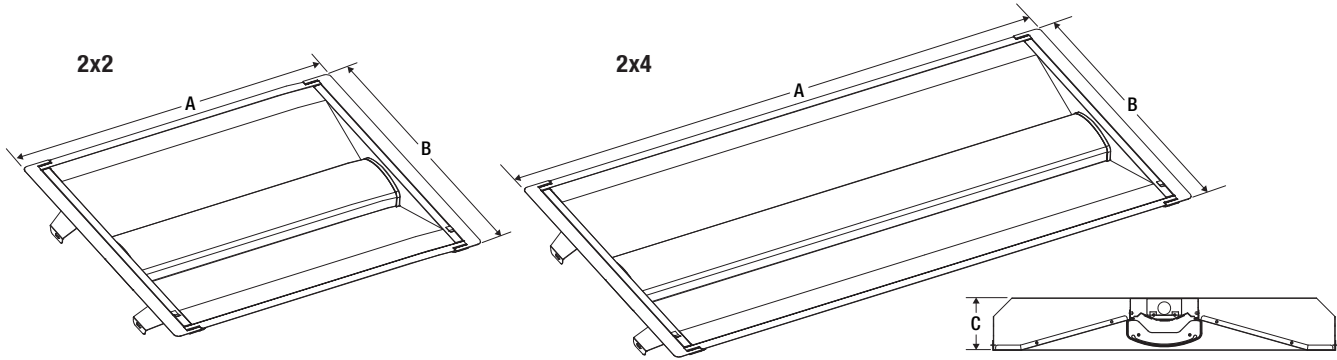
80/50/20 Reflectances

Calculations are based on 110ft x 50ft area

			8 ft Mounting Height			10 ft Mounting Height			12 ft Mounting Height		
			On Center Fixture Spacing								
			8'x10'	10'x10'	10'x12'	8'x10'	10'x10'	10'x12'	8'x10'	10'x10'	10'x12'
2'x2'	23W	RDORKIT3A/023UNVD835/22U/WH	36fc/1.5	30fc/1.3	25fc/1.9	35fc/1.5	29fc/1.4	24fc/1.7	34fc/1.6	28fc/1.5	23fc/1.7
		RDORKIT3A/023UNVD840/22U/WH	36fc/1.5	30fc/1.3	25fc/1.9	35fc/1.5	29fc/1.4	24fc/1.7	34fc/1.6	28fc/1.5	23fc/1.7
		RDORKIT3A/023UNVD850/22U/WH	36fc/1.5	30fc/1.3	25fc/1.9	35fc/1.5	29fc/1.4	24fc/1.7	34fc/1.6	28fc/1.5	24fc/1.7
2'x4'	33W	RDORKIT3A/033UNVD835/24U/WH	50fc/1.5	41fc/1.3	35fc/1.9	48fc/1.6	40fc/1.4	34fc/1.7	46fc/1.6	39fc/1.5	32fc/1.7
		RDORKIT3A/033UNVD840/24U/WH	50fc/1.5	42fc/1.3	35fc/1.9	49fc/1.6	41fc/1.4	34fc/1.7	47fc/1.6	39fc/1.5	33fc/1.7
		RDORKIT3A/033UNVD850/24U/WH	50fc/1.5	42fc/1.3	35fc/1.9	49fc/1.6	41fc/1.4	34fc/1.7	47fc/1.6	39fc/1.5	33fc/1.7

Physical Information

Luminaire Description	(A) Length (in.)	(B) Width (in.)	(C) Height (in.)
2x2	23.8	23.9	2.4
2x4	47.8	23.9	2.4



LEDVANCE LLC
 200 Ballardvale Street
 Wilmington, MA 01887 USA
 Phone 1-800-LIGHTBULB (1-800-544-4828)
www.sylvania.com

SYLVANIA and LEDVANCE are registered trademarks.
 All other trademarks are those of their respective owners.
 Licensee of product trademark SYLVANIA in general lighting.
 Specifications subject to change without notice.

[/sylvania](https://twitter.com/sylvania) [/sylvania](https://facebook.com/sylvania)

Name: _____
 Email: _____
 Phone: _____

