

SYLVANIA Luminaires

UltraLED™ Edge-Lit Panels

Item #
Type
Project
Notes
Date

Application

Edge-Lit Panels are offered in three sizes for illuminating offices, retail or hospitality areas.

Benefits and Features

- DLC Premium listing increases rebate opportunities
- Edge-lit technology combined with diffused lens offers even and uniform lighting
- Up to 125 LPW
- 3500K, 4000K, and 5000K color temperature
- CRI >80
- Offered in 20, 26, 32, 50 watts
- Energy savings up to 64%
- Suitable for use in closets, compliant with NFPA 70, NEC section 410.16 (A)(3) and 410.16 (C)(5)

Electrical

- 120-277VAC or 120-347VAC
- LED driver is a constant current device
- Power factor ≥90%
- THD ≤20%
- 0-10V dimmable (down to 10%)
(Please reference the dimmer compatibility document LEDLUM012)

Rated Life

- 50,000 hours (L₇₀)

Warranty

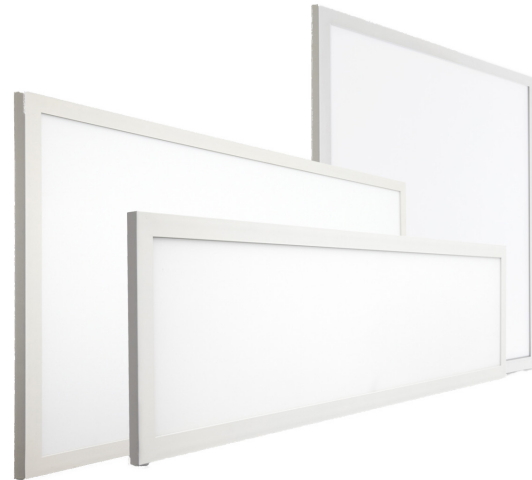
- 5-year

Certifications and Listings

- cETLus listed to UL1598 standards
- IC and damp rated

Ambient Operating Range

- -13°F to +104°F (-25°C to +40°C)
- EM: 41°F to 104°F (5°C to 40°C)



Wattage Comparison

Panel Size	Traditional Source	Traditional System Wattage	LED System Wattage	Energy Savings
1x4	2x28W T8	49	20	59%
	2x32W T8	56	20	64%
	2x28W T8	49	26	47%
	2x32W T8	56	26	54%
2x2	3x17W T8	48	20	58%
	2xU31W T8	56	20	64%
	3x17W T8	48	26	46%
	2xU31W T8	56	26	54%
	3x17W T8	48	32	33%
	2xU31W T8	56	32	43%
2x4	2x28W T8	49	26	47%
	2x32W T8	56	26	54%
	2x28W T8	49	32	35%
	2x32W T8	56	32	43%
	3x32W T8	75	32	57%
	3x28W T8	64	40	38%
	3x32W T8	75	40	47%
	4x28W T8	97	40	59%
4x32W T8	112	40	64%	
4x28W T8	97	50	48%	
4x32W T8	116	50	57%	



*See second page for DLC listings.




Ordering Guide

PANELF	2B	/	XXX	UNV	D	8	XX	/	XX	G	/	WH	/	X
Product Name	Generation		Wattage	Voltage	Dimming	CRI	Color Temp		Dimensions	Mounting		Color/Finish		Options
PANELF =	2B		020 = 20 Watts	UNV = 120-277V	D = 0-10V	8 =>80	35 = 3500		14 = 1x4	G = Grid		WH = White		Blank = No Option
Edge-Lit			026 = 26 Watts	UNH = 120-347V	Dimming		40 = 4000		22 = 2x2					E = Emergency
Flat Panel			032 = 32 Watts				50 = 5000		24 = 2x4					Back-Up
			050 = 50 Watts											

Ordering Information

Item Number	Ordering Abbreviation	Wattage (W)	Voltage (V)	Dimming	CRI	CCT	Dimensions	Lumens	LPW	Options	DLC	Case Qty.
60301 [†]	PANELF2B/020UNVD835/14G/WH	20	120-277	0-10V	>80	3500K	1x4	2500	125	–	Prm	5
61645	PANELF2B/020UNVD835/14G/WH	20	120-277	0-10V	>80	3500K	1x4	2500	125	–	Prm	6
60302 [†]	PANELF2B/020UNVD840/14G/WH	20	120-277	0-10V	>80	4000K	1x4	2500	125	–	Prm	5
61646	PANELF2B/020UNVD840/14G/WH	20	120-277	0-10V	>80	4000K	1x4	2500	125	–	Prm	6
60303 [†]	PANELF2B/020UNVD850/14G/WH	20	120-277	0-10V	>80	5000K	1x4	2500	125	–	Prm	5
61647	PANELF2B/020UNVD850/14G/WH	20	120-277	0-10V	>80	5000K	1x4	2500	125	–	Prm	6
60307 [†]	PANELF2B/026UNVD835/14G/WH	26	120-277	0-10V	>80	3500K	1x4	3250	125	–	Prm	5
61603	PANELF2B/026UNVD835/14G/WH	26	120-277	0-10V	>80	3500K	1x4	3250	125	–	Prm	6
60308 [†]	PANELF2B/026UNVD840/14G/WH	26	120-277	0-10V	>80	4000K	1x4	3250	125	–	Prm	5
61604	PANELF2B/026UNVD840/14G/WH	26	120-277	0-10V	>80	4000K	1x4	3250	125	–	Prm	6
60309 [†]	PANELF2B/026UNVD850/14G/WH	26	120-277	0-10V	>80	5000K	1x4	3250	125	–	Prm	5
61605	PANELF2B/026UNVD850/14G/WH	26	120-277	0-10V	>80	5000K	1x4	3250	125	–	Prm	6
60319 [†]	PANELF2B/026UNVD835/24G/WH	26	120-277	0-10V	>80	3500K	2x4	3380	125	–	Prm	3
61615	PANELF2B/026UNVD835/24G/WH	26	120-277	0-10V	>80	3500K	2x4	3380	125	–	Prm	4
60320 [†]	PANELF2B/026UNVD840/24G/WH	26	120-277	0-10V	>80	4000K	2x4	3380	125	–	Prm	3
61616	PANELF2B/026UNVD840/24G/WH	26	120-277	0-10V	>80	4000K	2x4	3380	125	–	Prm	4
60321 [†]	PANELF2B/026UNVD850/24G/WH	26	120-277	0-10V	>80	5000K	2x4	3380	125	–	Prm	3
61617	PANELF2B/026UNVD850/24G/WH	26	120-277	0-10V	>80	5000K	2x4	3380	125	–	Prm	4
60295 [†]	PANELF2B/032UNVD835/24G/WH	32	120-277	0-10V	>80	3500K	2x4	4160	125	–	Prm	3
61618	PANELF2B/032UNVD835/24G/WH	32	120-277	0-10V	>80	3500K	2x4	4160	125	–	Prm	4
60296 [†]	PANELF2B/032UNVD840/24G/WH	32	120-277	0-10V	>80	4000K	2x4	4160	125	–	Prm	3
61619	PANELF2B/032UNVD840/24G/WH	32	120-277	0-10V	>80	4000K	2x4	4160	125	–	Prm	4
60297 [†]	PANELF2B/032UNVD850/24G/WH	32	120-277	0-10V	>80	5000K	2x4	4160	125	–	Prm	3
61620	PANELF2B/032UNVD850/24G/WH	32	120-277	0-10V	>80	5000K	2x4	4160	125	–	Prm	4
60343 [†]	PANELF2B/050UNVD835/24G/WH	50	120-277	0-10V	>80	3500K	2x4	6250	125	–	Prm	3
61621	PANELF2B/050UNVD835/24G/WH	50	120-277	0-10V	>80	3500K	2x4	6250	125	–	Prm	4
60344 [†]	PANELF2B/050UNVD840/24G/WH	50	120-277	0-10V	>80	4000K	2x4	6250	125	–	Prm	3
61622	PANELF2B/050UNVD840/24G/WH	50	120-277	0-10V	>80	4000K	2x4	6250	125	–	Prm	4
60345 [†]	PANELF2B/050UNVD850/24G/WH	50	120-277	0-10V	>80	5000K	2x4	6250	125	–	Prm	3
61623	PANELF2B/050UNVD850/24G/WH	50	120-277	0-10V	>80	5000K	2x4	6250	125	–	Prm	4
60349 [†]	PANELF2B/020UNVD835/22G/WH	20	120-277	0-10V	>80	3500K	2x2	2500	125	–	Prm	5
61606	PANELF2B/020UNVD835/22G/WH	20	120-277	0-10V	>80	3500K	2x2	2500	125	–	Prm	6
60350 [†]	PANELF2B/020UNVD840/22G/WH	20	120-277	0-10V	>80	4000K	2x2	2500	125	–	Prm	5
61607	PANELF2B/020UNVD840/22G/WH	20	120-277	0-10V	>80	4000K	2x2	2500	125	–	Prm	6
60351 [†]	PANELF2B/020UNVD850/22G/WH	20	120-277	0-10V	>80	5000K	2x2	2500	125	–	Prm	5
61608	PANELF2B/020UNVD850/22G/WH	20	120-277	0-10V	>80	5000K	2x2	2500	125	–	Prm	6
60313 [†]	PANELF2B/026UNVD835/22G/WH	26	120-277	0-10V	>80	3500K	2x2	3250	125	–	Prm	5
61612	PANELF2B/026UNVD835/22G/WH	26	120-277	0-10V	>80	3500K	2x2	3250	125	–	Prm	6
60314 [†]	PANELF2B/026UNVD840/22G/WH	26	120-277	0-10V	>80	4000K	2x2	3250	125	–	Prm	5
61613	PANELF2B/026UNVD840/22G/WH	26	120-277	0-10V	>80	4000K	2x2	3250	125	–	Prm	6
60315 [†]	PANELF2B/026UNVD850/22G/WH	26	120-277	0-10V	>80	5000K	2x2	3250	125	–	Prm	5
61614	PANELF2B/026UNVD850/22G/WH	26	120-277	0-10V	>80	5000K	2x2	3250	125	–	Prm	6
60304	PANELF2B/020UNVD835/14G/WH/E	20	120-277	0-10V	>80	3500K	1x4	2500	125	Emergency Battery Back-up	Prm MTO	5
60305	PANELF2B/020UNVD840/14G/WH/E	20	120-277	0-10V	>80	4000K	1x4	2500	125	Emergency Battery Back-up	Prm MTO	5
60306	PANELF2B/020UNVD850/14G/WH/E	20	120-277	0-10V	>80	5000K	1x4	2500	125	Emergency Battery Back-up	Prm MTO	5
60310	PANELF2B/026UNVD835/14G/WH/E	26	120-277	0-10V	>80	3500K	1x4	3250	125	Emergency Battery Back-up	Prm MTO	5
60311	PANELF2B/026UNVD840/14G/WH/E	26	120-277	0-10V	>80	4000K	1x4	3250	125	Emergency Battery Back-up	Prm MTO	5
60312	PANELF2B/026UNVD850/14G/WH/E	26	120-277	0-10V	>80	5000K	1x4	3250	125	Emergency Battery Back-up	Prm MTO	5
60322	PANELF2B/026UNVD835/24G/WH/E	26	120-277	0-10V	>80	3500K	2x4	3380	125	Emergency Battery Back-up	Prm MTO	3
60323	PANELF2B/026UNVD840/24G/WH/E	26	120-277	0-10V	>80	4000K	2x4	3380	125	Emergency Battery Back-up	Prm MTO	3
60324	PANELF2B/026UNVD850/24G/WH/E	26	120-277	0-10V	>80	5000K	2x4	3380	125	Emergency Battery Back-up	Prm MTO	3
60298	PANELF2B/032UNVD835/24G/WH/E	32	120-277	0-10V	>80	3500K	2x4	4160	125	Emergency Battery Back-up	Prm MTO	3
60299	PANELF2B/032UNVD840/24G/WH/E	32	120-277	0-10V	>80	4000K	2x4	4160	125	Emergency Battery Back-up	Prm MTO	3
60300	PANELF2B/032UNVD850/24G/WH/E	32	120-277	0-10V	>80	5000K	2x4	4160	125	Emergency Battery Back-up	Prm MTO	3
60346	PANELF2B/050UNVD835/24G/WH/E	50	120-277	0-10V	>80	3500K	2x4	6250	125	Emergency Battery Back-up	Prm MTO	3
60347	PANELF2B/050UNVD840/24G/WH/E	50	120-277	0-10V	>80	4000K	2x4	6250	125	Emergency Battery Back-up	Prm MTO	3
60348	PANELF2B/050UNVD850/24G/WH/E	50	120-277	0-10V	>80	5000K	2x4	6250	125	Emergency Battery Back-up	Prm MTO	3
60352	PANELF2B/020UNVD835/22G/WH/E	20	120-277	0-10V	>80	3500K	2x2	2500	125	Emergency Battery Back-up	Prm MTO	5
60353	PANELF2B/020UNVD840/22G/WH/E	20	120-277	0-10V	>80	4000K	2x2	2500	125	Emergency Battery Back-up	Prm MTO	5
60354	PANELF2B/020UNVD850/22G/WH/E	20	120-277	0-10V	>80	5000K	2x2	2500	125	Emergency Battery Back-up	Prm MTO	5
60316	PANELF2B/026UNVD835/22G/WH/E	26	120-277	0-10V	>80	3500K	2x2	3250	125	Emergency Battery Back-up	Prm MTO	5
60317	PANELF2B/026UNVD840/22G/WH/E	26	120-277	0-10V	>80	4000K	2x2	3250	125	Emergency Battery Back-up	Prm MTO	5
60318	PANELF2B/026UNVD850/22G/WH/E	26	120-277	0-10V	>80	5000K	2x2	3250	125	Emergency Battery Back-up	Prm MTO	5
60274 [†]	PANELF2B/020UNHD835/14G/WH	20	120-347	0-10V	>80	3500K	1x4	2500	125	–	–	5
61624	PANELF2B/020UNHD835/14G/WH	20	120-347	0-10V	>80	3500K	1x4	2500	125	–	–	6
60275 [†]	PANELF2B/020UNHD840/14G/WH	20	120-347	0-10V	>80	4000K	1x4	2500	125	–	–	5
61625	PANELF2B/020UNHD840/14G/WH	20	120-347	0-10V	>80	4000K	1x4	2500	125	–	–	6
60276 [†]	PANELF2B/020UNHD850/14G/WH	20	120-347	0-10V	>80	5000K	1x4	2500	125	–	–	5
61626	PANELF2B/020UNHD850/14G/WH	20	120-347	0-10V	>80	5000K	1x4	2500	125	–	–	6

Ordering Information (continued)

Item Number	Ordering Abbreviation	Wattage (W)	Voltage (V)	Dimming	CRI	CCT	Dimensions	Lumens	LPW	Options			Case Qty.
											DLC	MTO*	
60268†	PANELF2B/026UNHD835/14G/WH	26	120-347	0-10V	>80	3500K	1x4	3250	125	—	—	5	
61627	PANELF2B/026UNHD835/14G/WH	26	120-347	0-10V	>80	3500K	1x4	3250	125	—	—	6	
60269†	PANELF2B/026UNHD840/14G/WH	26	120-347	0-10V	>80	4000K	1x4	3250	125	—	—	5	
61628	PANELF2B/026UNHD840/14G/WH	26	120-347	0-10V	>80	4000K	1x4	3250	125	—	—	6	
60270†	PANELF2B/026UNHD850/14G/WH	26	120-347	0-10V	>80	5000K	1x4	3250	125	—	—	5	
61629	PANELF2B/026UNHD850/14G/WH	26	120-347	0-10V	>80	5000K	1x4	3250	125	—	—	6	
60288†	PANELF2B/026UNHD835/24G/WH	26	120-347	0-10V	>80	3500K	2x4	3380	125	—	—	3	
61630	PANELF2B/026UNHD835/24G/WH	26	120-347	0-10V	>80	3500K	2x4	3380	125	—	—	4	
60289†	PANELF2B/026UNHD840/24G/WH	26	120-347	0-10V	>80	4000K	2x4	3380	125	—	—	3	
61631	PANELF2B/026UNHD840/24G/WH	26	120-347	0-10V	>80	4000K	2x4	3380	125	—	—	4	
60290†	PANELF2B/026UNHD850/24G/WH	26	120-347	0-10V	>80	5000K	2x4	3380	125	—	—	3	
61632	PANELF2B/026UNHD850/24G/WH	26	120-347	0-10V	>80	5000K	2x4	3380	125	—	—	4	
60271†	PANELF2B/032UNHD835/24G/WH	32	120-347	0-10V	>80	3500K	2x4	4160	125	—	—	3	
61633	PANELF2B/032UNHD835/24G/WH	32	120-347	0-10V	>80	3500K	2x4	4160	125	—	—	4	
60272†	PANELF2B/032UNHD840/24G/WH	32	120-347	0-10V	>80	4000K	2x4	4160	125	—	—	3	
61634	PANELF2B/032UNHD840/24G/WH	32	120-347	0-10V	>80	4000K	2x4	4160	125	—	—	4	
60273†	PANELF2B/032UNHD850/24G/WH	32	120-347	0-10V	>80	5000K	2x4	4160	125	—	—	3	
61635	PANELF2B/032UNHD850/24G/WH	32	120-347	0-10V	>80	5000K	2x4	4160	125	—	—	4	
60280†	PANELF2B/050UNHD835/24G/WH	50	120-347	0-10V	>80	3500K	2x4	6250	125	—	—	3	
61636	PANELF2B/050UNHD835/24G/WH	50	120-347	0-10V	>80	3500K	2x4	6250	125	—	—	4	
60281†	PANELF2B/050UNHD840/24G/WH	50	120-347	0-10V	>80	4000K	2x4	6250	125	—	—	3	
61637	PANELF2B/050UNHD840/24G/WH	50	120-347	0-10V	>80	4000K	2x4	6250	125	—	—	4	
60282†	PANELF2B/050UNHD850/24G/WH	50	120-347	0-10V	>80	5000K	2x4	6250	125	—	—	3	
61638	PANELF2B/050UNHD850/24G/WH	50	120-347	0-10V	>80	5000K	2x4	6250	125	—	—	4	
60291†	PANELF2B/020UNHD835/22G/WH	20	120-347	0-10V	>80	3500K	2x2	2500	125	—	—	5	
61639	PANELF2B/020UNHD835/22G/WH	20	120-347	0-10V	>80	3500K	2x2	2500	125	—	—	6	
60292†	PANELF2B/020UNHD840/22G/WH	20	120-347	0-10V	>80	4000K	2x2	2500	125	—	—	5	
61640	PANELF2B/020UNHD840/22G/WH	20	120-347	0-10V	>80	4000K	2x2	2500	125	—	—	6	
60293†	PANELF2B/020UNHD850/22G/WH	20	120-347	0-10V	>80	5000K	2x2	2500	125	—	—	5	
61641	PANELF2B/020UNHD850/22G/WH	20	120-347	0-10V	>80	5000K	2x2	2500	125	—	—	6	
60277†	PANELF2B/026UNHD835/22G/WH	26	120-347	0-10V	>80	3500K	2x2	3250	125	—	—	5	
61642	PANELF2B/026UNHD835/22G/WH	26	120-347	0-10V	>80	3500K	2x2	3250	125	—	—	6	
60278†	PANELF2B/026UNHD840/22G/WH	26	120-347	0-10V	>80	4000K	2x2	3250	125	—	—	5	
61643	PANELF2B/026UNHD840/22G/WH	26	120-347	0-10V	>80	4000K	2x2	3250	125	—	—	6	
60279†	PANELF2B/026UNHD850/22G/WH	26	120-347	0-10V	>80	5000K	2x2	3250	125	—	—	5	
61644	PANELF2B/026UNHD850/22G/WH	26	120-347	0-10V	>80	5000K	2x2	3250	125	—	—	6	

*Made To Order

†Indicates that the product is discontinued with inventory

Photometrics

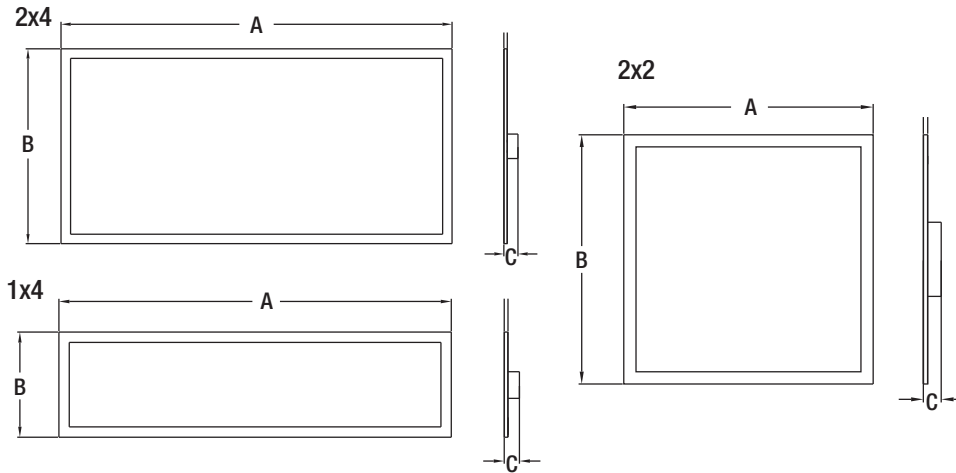
- Average Illuminance (FC) at 30" AFF and avg/min uniformity
- 80/50/20 Reflectances
- Calculations are based on 110ft x 50ft area

			8 ft Mounting Height			10 ft Mounting Height			12 ft Mounting Height		
			On Center Fixture Spacing								
			8'x10'	10'x10'	10'x12'	8'x10'	10'x10'	10'x12'	8'x10'	10'x10'	10'x12'
1'x4'	20W	PANELF2B/020UNVD8XX/14G/WH	30fc/1.5	25fc/1.3	21fc/1.7	29fc/1.6	24fc/1.5	20fc/1.7	28fc/1.7	23fc/1.5	19fc/1.7
	26W	PANELF2B/026UNVD8XX/14G/WH	40fc/1.6	33fc/1.4	28fc/1.8	39fc/1.7	32fc/1.5	27fc/1.8	37fc/1.7	31fc/1.6	26fc/1.8
2'x2'	20W	PANELF2B/020UNVD8XX/22G/WH	32fc/1.5	27fc/1.3	22fc/1.8	31fc/1.6	26fc/1.4	21fc/1.7	30fc/1.6	25fc/1.5	21fc/1.7
	26W	PANELF2B/026UNVD8XX/22G/WH	40fc/1.5	33fc/1.3	28fc/1.8	39fc/1.6	32fc/1.4	27fc/1.7	37fc/1.6	31fc/1.5	26fc/1.7
2'x4'	26W	PANELF2B/026UNVD8XX/24G/WH	42fc/1.5	35fc/1.3	29fc/1.7	41fc/1.6	34fc/1.4	28fc/1.7	39fc/1.6	33fc/1.5	27fc/1.7
	32W	PANELF2B/032UNVD8XX/24G/WH	53fc/1.5	44fc/1.3	36fc/1.7	51fc/1.6	43fc/1.4	35fc/1.7	49fc/1.6	41fc/1.5	34fc/1.7
	50W	PANELF2B/050UNVD8XX/24G/WH	73fc/1.5	60fc/1.3	50fc/1.7	70fc/1.6	59fc/1.5	49fc/1.7	67fc/1.7	56fc/1.6	47fc/1.7

Physical Information

Lamp Description	(A) Length in.	(B) Width in.	(C) Height in.
1x4	47.8	11.8	1.7
2x2	23.82	23.82	1.7
2x4	47.8	21.5	1.7
1x4 EM	47.8	11.8	2.6
2x2 EM	23.82	23.82	2.6
2x4 EM	47.8	21.5	2.6

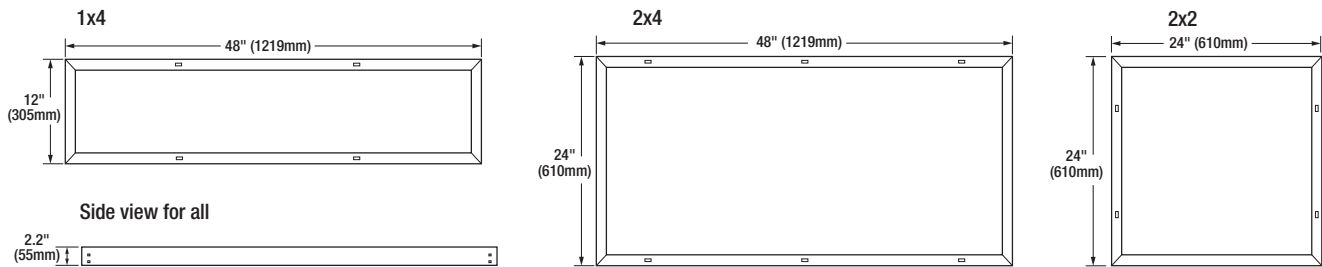
Weight: 1x4, 2x2: 8.3 lbs (3.8kg) 1x4 EM, 2x2 EM: 10.5 lbs (4.8kg) 2x4: 13.4 lbs (6.1kg) 2x4 EM: 15.6 lbs (7.1kg)



Mounting Accessories

Item Number	Ordering Abbreviation	Item Description
70132*	SMKIT1A/14A/WH	1x4 Surface Mount Kit, White Finish
70380*	SMKIT1A/22A/WH	2x2 Surface Mount Kit, White Finish
70381*	SMKIT1A/24A/WH	2x4 Surface Mount Kit, White Finish
60457	FK1A14GWH	1x4 Flange Kit, White Finish
60458	FK1A22GWH	2x2 Flange Kit, White Finish
60459	FK1A24GWH	2x4 Flange Kit, White Finish

*Not compatible with emergency battery back-up units.

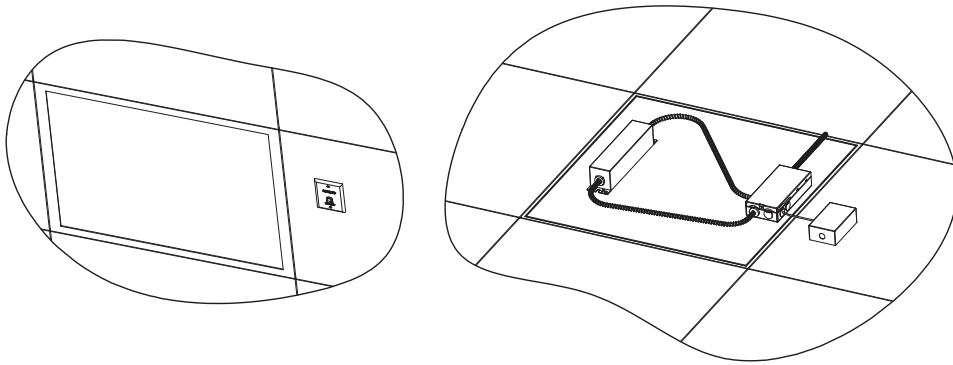


Options Information

Emergency Battery Backup:


Activates when normal power supply to the fixture fails, providing a minimum of 650 lumens (700 nominal lumens) for at least 90 minutes.

Location of Emergency Test Switch



LEDVANCE LLC
200 Ballardvale Street
Wilmington, MA 01887 USA
Phone 1-800-LIGHTBULB (1-800-544-4828)
www.sylvania.com

SYLVANIA and LEDVANCE are registered trademarks.
All other trademarks are those of their respective owners.
Licensee of product trademark SYLVANIA in general lighting.
Specifications subject to change without notice.

 /sylvania  /sylvania

Name:	_____
Email:	_____
Phone:	_____

