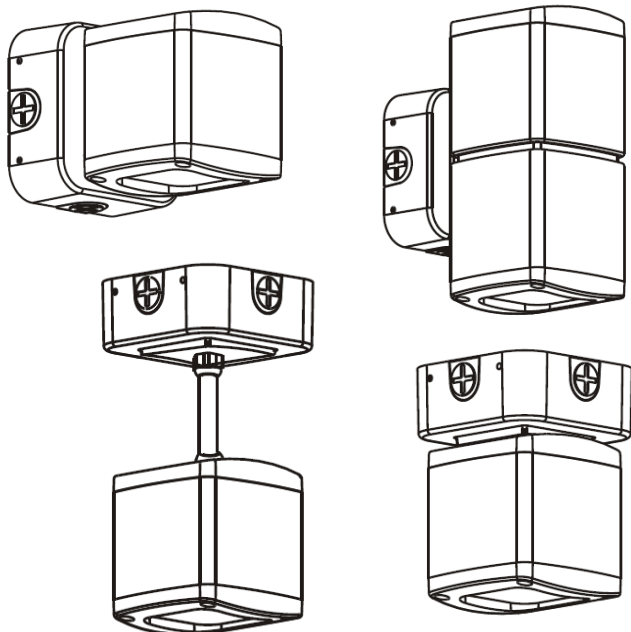


# SYLVANIA Luminaires

## Installation Guide – Square Light



The Square Light luminaires are environmentally preferable LED alternatives to traditional luminaires, offering up to 89% in energy savings. Ideal in place of traditional luminaires, or as new installations, the Square Light series is offered with four mounting options for illuminating building exteriors, outdoor corridors, canopies, and stairwells.

For warranty coverage, please register at [www.sylvania.com/warrantyregistration](http://www.sylvania.com/warrantyregistration).

### **▲WARNING**

**PLEASE READ ALL INSTRUCTIONS BEFORE ATTEMPTING INSTALLATION**

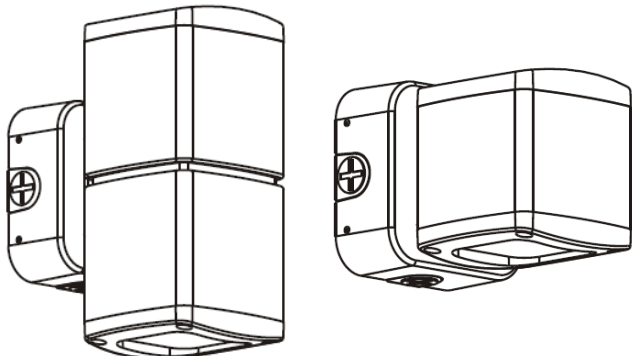
- TO PREVENT PERSONAL INJURY OR PRODUCT DAMAGE ONLY LICENSED ELECTRICIANS SHOULD PROVIDE ALL INSTALLATION SERVICES.
- TO AVOID ELECTRIC SHOCK OR COMPONENT DAMAGE DISCONNECT POWER BEFORE ATTEMPTING INSTALLATION OR SERVICING.
- THIS PRODUCT MUST BE INSTALLED IN ACCORDANCE WITH THE NATIONAL ELECTRIC CODE (NEC) AND ALL APPLICABLE FEDERAL, STATE AND LOCAL ELECTRIC CODES AND SAFETY STANDARDS.
- USE CAUTION WHEN HANDLING THIS PRODUCT DURING OR AFTER OPERATION AS IT MAY BECOME HOT AND CAUSE BURNS. DISCONNECT PRODUCT AND ALLOW COOLING PRIOR TO SERVICING.
- ANY ALTERATION OR MODIFICATION OF THIS PRODUCT IS EXPRESSLY FORBIDDEN AS IT MAY CAUSE SERIOUS PERSONAL INJURY, DEATH, PROPERTY DAMAGE AND/OR PRODUCT MALFUNCTION.
- TO PREVENT PRODUCT MALFUNCTION AND / OR ELECTRICAL SHOCK THIS PRODUCT MUST BE PROPERLY GROUNDED.
- CAUTION - RISK OF FIRE
- THIS LUMINAIRE IS DESIGNED TO OPERATE IN AMBIENT TEMPERATURES RANGING FROM -40°F TO +104°F (-40°C TO +40°C).

## SAFETY PRECAUTIONS:

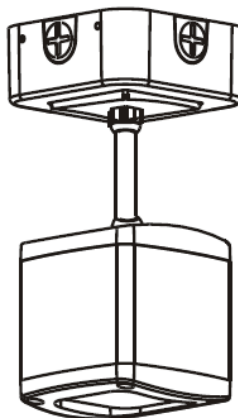
**IMPORTANT: READ CAREFULLY BEFORE INSTALLING THE FIXTURE. RETAIN FOR FUTURE REFERENCE.**

**GENERAL:** Upon receipt of the fixture, thoroughly inspect for any freight damage which should be brought to the attention of the delivery carrier.

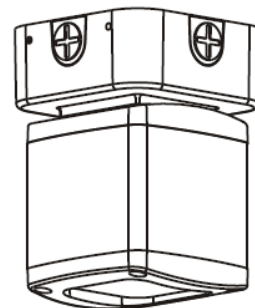
Wall Mount



Pendant Mount

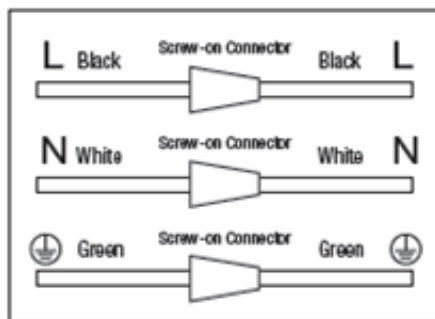


Ceiling Mount



## INSTALLATION:

1. Locate and remove the 4 Philips-head screws located on the sides of the junction box base to separate the base plate and fixture.
2. Remove the conduit plug closest to the incoming supply wire feed.
3. Feed the supply wires through the conduit hole and connect to the terminal block on the fixture base (see wiring diagram).
4. Install the base on a wall or ceiling in the desired location using the built-in knockouts and appropriate hardware for the mounting surface.
5. Install the fixture to the base plate using the 4 Philips-head screws removed in the first step.



Wiring Diagram

## CLEANING AND MAINTENANCE

- To maintain the fixture efficacy occasional cleaning of the outer lens surface may be needed.
- Use a mild soap or detergent, which is essentially neutral pH (pH approximately 6 to 8), nonabrasive, and which contains no chlorinated or aromatic hydrocarbons.
- Wash thoroughly, using a soft cloth.
- Rinse with clean, cold water and wipe dry.



## TROUBLE SHOOTING CHECKLIST: If luminaire does not work

- Check your power source.
- Check electrical connections.