

# SYLVANIA Luminaires

## Installation Guide – Bulkhead



The Bulkhead luminaires are environmentally preferable LED alternatives to traditional luminaires, offering up to 87% in energy savings. Ideal in place of traditional luminaires, or as new installations, the Bulkhead series is offered with one lumen package for illuminating building exteriors, outdoor corridors, walkways, and stairwells.

For warranty coverage, please register at [www.sylvania.com/warrantyregistration](http://www.sylvania.com/warrantyregistration).

### **⚠ WARNING**

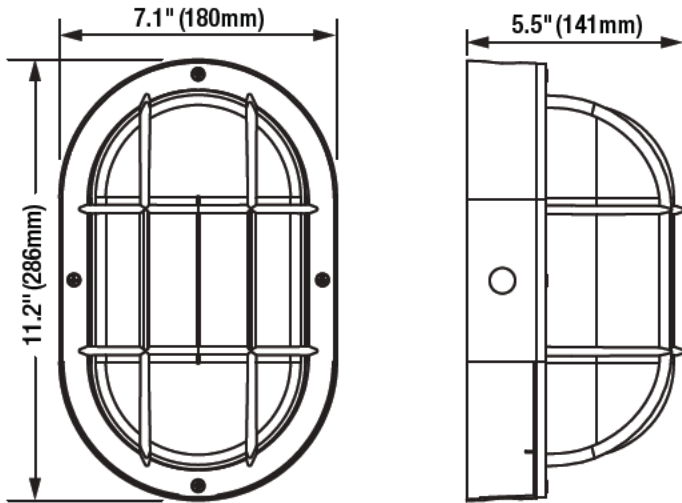
**PLEASE READ ALL INSTRUCTIONS BEFORE ATTEMPTING INSTALLATION**

- TO PREVENT PERSONAL INJURY OR PRODUCT DAMAGE ONLY LICENSED ELECTRICIANS SHOULD PROVIDE ALL INSTALLATION SERVICES.
- TO AVOID ELECTRIC SHOCK OR COMPONENT DAMAGE DISCONNECT POWER BEFORE ATTEMPTING INSTALLATION OR SERVICING.
- THIS PRODUCT MUST BE INSTALLED IN ACCORDANCE WITH THE NATIONAL ELECTRIC CODE (NEC) AND ALL APPLICABLE FEDERAL, STATE AND LOCAL ELECTRIC CODES AND SAFETY STANDARDS.
- USE CAUTION WHEN HANDLING THIS PRODUCT DURING OR AFTER OPERATION AS IT MAY BECOME HOT AND CAUSE BURNS. DISCONNECT PRODUCT AND ALLOW COOLING PRIOR TO SERVICING.
- ANY ALTERATION OR MODIFICATION OF THIS PRODUCT IS EXPRESSLY FORBIDDEN AS IT MAY CAUSE SERIOUS PERSONAL INJURY, DEATH, PROPERTY DAMAGE AND/OR PRODUCT MALFUNCTION.
- TO PREVENT PRODUCT MALFUNCTION AND / OR ELECTRICAL SHOCK THIS PRODUCT MUST BE PROPERLY GROUNDED.
- CAUTION - RISK OF FIRE
- SUITABLE FOR MOUNTING WITHIN 1.2m (4 ft) OFF THE GROUND
- THIS LUMINAIRE IS DESIGNED TO OPERATE IN AMBIENT TEMPERATURES RANGING FROM -40°F TO +104°F (-40°C TO +40°C).

## SAFETY PRECAUTIONS:

**IMPORTANT: READ CAREFULLY BEFORE INSTALLING THE FIXTURE. RETAIN FOR FUTURE REFERENCE.**

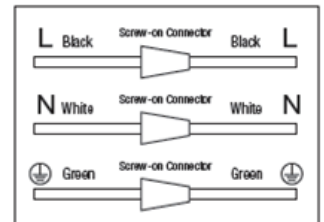
**GENERAL:** Upon receipt of the fixture, thoroughly inspect for any freight damage which should be brought to the attention of the delivery carrier.



## INSTALLATION:

### Surface Mount Installation

1. Attach provided bracket to a junction box with two screws (M4x60mm included). (See Figure 1)
2. Route wires through the bracket. (See Figure 2)
3. Connect wires as shown in Wiring Diagram, White to White (Neutral), Black to Black (Hot) and Green to Green (Ground).
4. Use wire nuts (screw-on connectors) included, (See Figure 3)
5. Using provided screws, secure the fixture to the bracket. Two screws from each side. (See Figure 4)
6. Seal all holes, plugs, and conduit entrances with weatherproof silicone sealant.
7. Installation is now complete. Turn on the power at circuit breaker or fuse box then turn the light switch to power the fixture. (See Figure 5)



Wiring Diagram

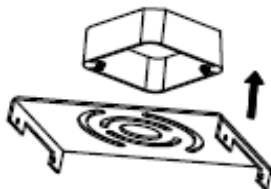


Fig. 1



Fig. 2

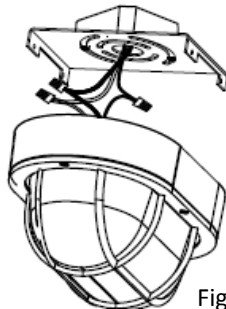


Fig. 3

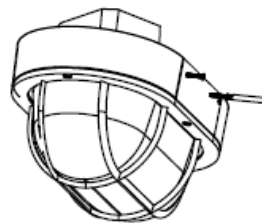


Fig. 4



Fig. 5

## CLEANING AND MAINTENANCE

- To maintain the fixture efficacy occasional cleaning of the outer lens surface may be needed.
- Use a mild soap or detergent, which is essentially neutral pH (pH approximately 6 to 8), nonabrasive, and which contains no chlorinated or aromatic hydrocarbons.
- Wash thoroughly, using a soft cloth.
- Rinse with clean, cold water and wipe dry.



## TROUBLE SHOOTING CHECKLIST: If luminaire does not work

- Check your power source.
- Check electrical connections.