

# SYLVANIA Luminaires

## Installation Guide – JELLY JAR



The Jelly Jar luminaires are environmentally preferable LED alternatives to traditional luminaires, offering up to 89% in energy savings. Ideal in place of traditional luminaires, or as new installations, the Jelly Jar series is offered with three mounting options for illuminating building exteriors, outdoor corridors, walkways, and stairwells.

For warranty coverage, please register at [www.sylvania.com/warrantyregistration](http://www.sylvania.com/warrantyregistration).

### **▲WARNING**

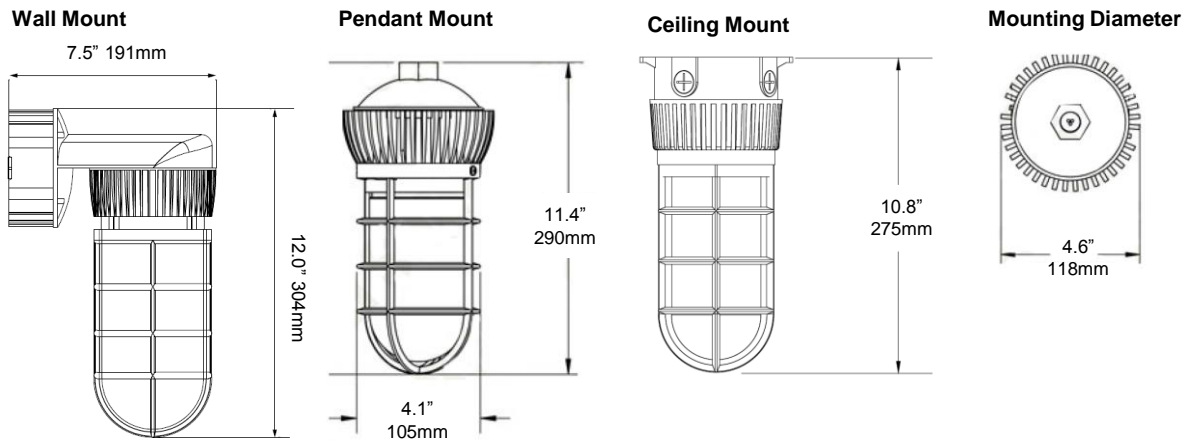
**PLEASE READ ALL INSTRUCTIONS BEFORE ATTEMPTING INSTALLATION**

- TO PREVENT PERSONAL INJURY OR PRODUCT DAMAGE ONLY LICENSED ELECTRICIANS SHOULD PROVIDE ALL INSTALLATION SERVICES.
- TO AVOID ELECTRIC SHOCK OR COMPONENT DAMAGE DISCONNECT POWER BEFORE ATTEMPTING INSTALLATION OR SERVICING.
- THIS PRODUCT MUST BE INSTALLED IN ACCORDANCE WITH THE NATIONAL ELECTRIC CODE (NEC) AND ALL APPLICABLE FEDERAL, STATE AND LOCAL ELECTRIC CODES AND SAFETY STANDARDS.
- USE CAUTION WHEN HANDLING THIS PRODUCT DURING OR AFTER OPERATION AS IT MAY BECOME HOT AND CAUSE BURNS. DISCONNECT PRODUCT AND ALLOW COOLING PRIOR TO SERVICING.
- ANY ALTERATION OR MODIFICATION OF THIS PRODUCT IS EXPRESSLY FORBIDDEN AS IT MAY CAUSE SERIOUS PERSONAL INJURY, DEATH, PROPERTY DAMAGE AND/OR PRODUCT MALFUNCTION.
- TO PREVENT PRODUCT MALFUNCTION AND / OR ELECTRICAL SHOCK THIS PRODUCT MUST BE PROPERLY GROUNDED.
- CAUTION - RISK OF FIRE
- THIS LUMINAIRE IS DESIGNED TO OPERATE IN AMBIENT TEMPERATURES RANGING FROM -40°F TO +104°F (-40°C TO +40°C).

## SAFETY PRECAUTIONS:

**IMPORTANT: READ CAREFULLY BEFORE INSTALLING THE FIXTURE. RETAIN FOR FUTURE REFERENCE.**

**GENERAL:** Upon receipt of the fixture, thoroughly inspect for any freight damage which should be brought to the attention of the delivery carrier.



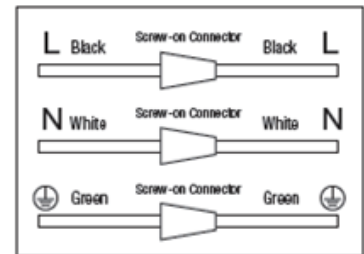
## INSTALLATION:

### WALL & CEILING MOUNT INSTALLATION

1. Connect the incoming electrical wires to the set of power wires black to black (hot), white to white (neutral) and green to green (ground). (See Wiring Diagram)
2. Use appropriate connectors into the fixture junction box back or sides. (See figure 1 for mounting points)
3. Install the fixture to the mounting surface with appropriate screws (not provided).
4. Seal all holes, plugs and conduit entrances with weatherproof silicone sealant (not provided).
5. Use silicone sealant (not provided) at intersection of mounting surface and fixture to ensure tight seal against surface.

### PENDANT MOUNT INSTALLATION

1. Pull fixture wires through conduit and connect to incoming electrical wires in junction box.
2. Seal around the threads on both sides of conduit with Teflon tape and thread fixture onto the conduit using a wrench to tighten.
3. Connect the incoming electrical wires to the set of power wires black to black (hot), white to white (neutral) and green to green (ground). (See Wiring Diagram)
4. Close junction box.



Wiring Diagram

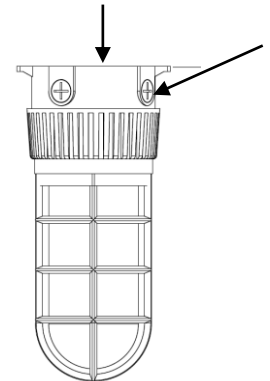


Figure 1

### CLEANING AND MAINTENANCE

- To maintain the fixture efficacy occasional cleaning of the outer lens surface may be needed.
- Use a mild soap or detergent, which is essentially neutral pH (pH approximately 6 to 8), nonabrasive, and which contains no chlorinated or aromatic hydrocarbons.
- Wash thoroughly, using a soft cloth.
- Rinse with clean, cold water and wipe dry.



## TROUBLE SHOOTING CHECKLIST: If luminaire does not work

- Check your power source.
- Check electrical connections.