

SYLVANIA Luminaires

Installation Guide -10" Canopy



The canopy luminaires are environmentally preferable LED alternatives to traditional HID luminaires, offering up to 72% in energy savings. Ideal in place of traditional luminaires, or as new installations, the Garage series is offered in two wattages/lumen packages for use in Garages, Canopies, and Mid bay general lighting.

For warranty coverage, please register at www.sylvania.com/warrantyregistration.

⚠ WARNING

PLEASE READ ALL INSTRUCTIONS BEFORE ATTEMPTING INSTALLATION

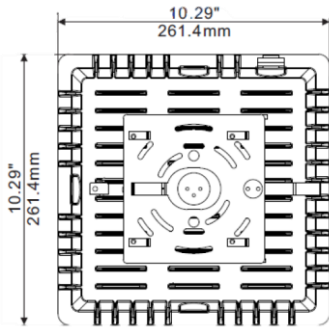
- TO PREVENT PERSONAL INJURY OR PRODUCT DAMAGE ONLY LICENSED ELECTRICIANS SHOULD PROVIDE ALL INSTALLATION SERVICES.
- TO AVOID ELECTRIC SHOCK OR COMPONENT DAMAGE DISCONNECT POWER BEFORE ATTEMPTING INSTALLATION OR SERVICING.
- THIS PRODUCT MUST BE INSTALLED IN ACCORDANCE WITH THE NATIONAL ELECTRIC CODE (NEC) AND ALL APPLICABLE FEDERAL, STATE AND LOCAL ELECTRIC CODES AND SAFETY STANDARDS.
- USE CAUTION WHEN HANDLING THIS PRODUCT DURING OR AFTER OPERATION AS IT MAY BECOME HOT AND CAUSE BURNS. DISCONNECT PRODUCT AND ALLOW COOLING PRIOR TO SERVICING.
- ANY ALTERATION OR MODIFICATION OF THIS PRODUCT IS EXPRESSLY FORBIDDEN AS IT MAY CAUSE SERIOUS PERSONAL INJURY, DEATH, PROPERTY DAMAGE AND/OR PRODUCT MALFUNCTION.
- TO PREVENT PRODUCT MALFUNCTION AND / OR ELECTRICAL SHOCK THIS PRODUCT MUST BE PROPERLY GROUNDED.
- MAXIMUM OF 6 12 AWG THROUGH BRANCH CIRCUIT CONDUCTOR SUITABLE FOR 150°C PERMITTED IN BOX
- THIS LUMINAIRE IS DESIGNED TO OPERATE IN AMBIENT TEMPERATURES RANGING FROM -40°F TO +104°F (-40°C TO +40°C).

SAFETY PRECAUTIONS:

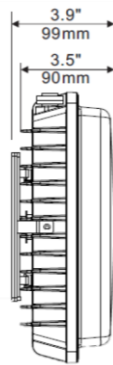
IMPORTANT: READ CAREFULLY BEFORE INSTALLING THE FIXTURE. RETAIN FOR FUTURE REFERENCE.

GENERAL: Upon receipt of the fixture, thoroughly inspect for any freight damage which should be brought to the attention of the delivery carrier.

Front View



Side View



INSTALLATION:

1. Remove 4 housing screws (on front of housing, set aside) and separate.
 2. Disconnect the LED driver from its light-engine by unplugging the driver harness from its light-engine harness.
Note: If there is a sensor integrated at purchase, then unplug the sensor cable as well.
 3. **For Surface Mount:** Remove knockout from top of fixture.
 4. Remove adhesive from gasket (in packaging) and attach to top plate. Align with holes accordingly.
 5. Connect the incoming electrical wires to the set of power wires black to black (hot), white to white (neutral) and green to green (ground). (See Wiring Diagram)
 6. Mount the top plate to the junction box. *Mounting hardware is not provided.*
 7. Using the temporary hanging cable, hook the housing to the top plate.
 8. Connect the LED driver harness to the LED light engine harness. (If you removed the sensor cable then reconnect)
 9. Unhook the temporary hanging cable and mount the housing to the top plate using the 4 housing screws removed in step 1.
 10. Installation is now complete. Turn on the power at circuit breaker or fuse box then turn the light switch to power the fixture.
- For pendant mounting option:** Feed the electrical wire from the fixture through the conduit pipe (provided by others). (See Fig. 1) Connect wires in the electrical junction box per the wiring diagram (below).

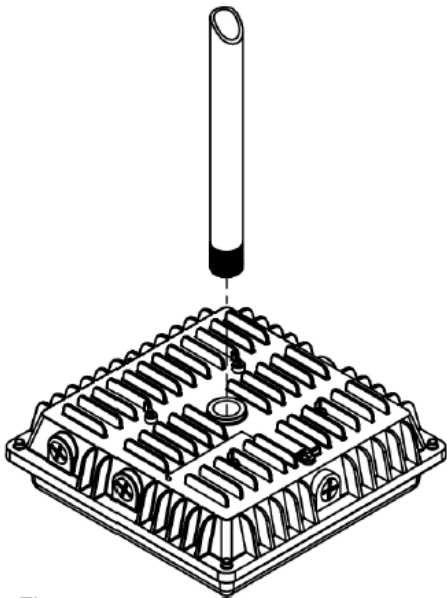


Figure 1

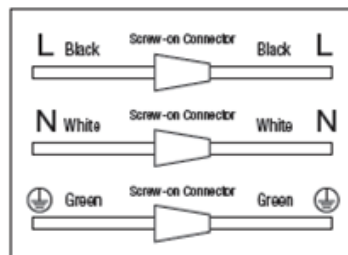


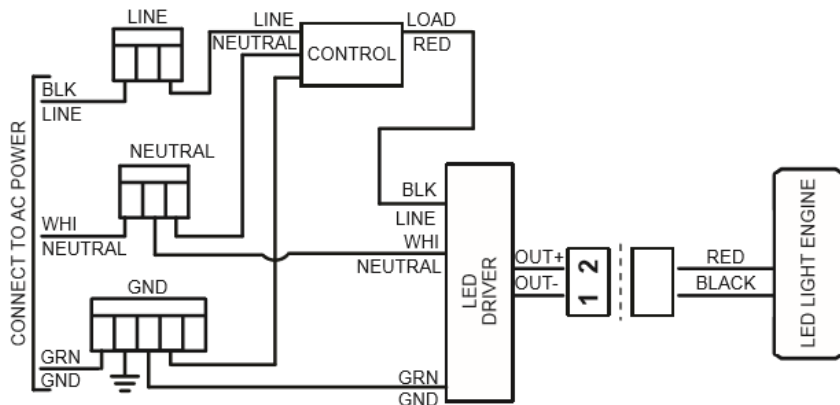
Figure 2

ADDING A SENSOR (Provided by others):

ADDING AN ON/OFF SENSOR (provided by others)

1. After Step 8 on page 2, use a flat head screw driver to remove desired knockout.
2. See Wiring Diagram
3. Before closing the luminaire remove desired knockout from housing if necessary.
4. Resume with step 9 on page 2 assuring the through wire conduit connector fits properly.

Wiring Diagram



CLEANING AND MAINTENANCE

- To maintain the fixture efficacy occasional cleaning of the outer lens surface may be needed.
- Use a mild soap or detergent, which is essentially neutral pH (pH approximately 6 to 8), nonabrasive, and which contains no chlorinated or aromatic hydrocarbons.
- Wash thoroughly, using a soft cloth.
- Rinse with clean, cold water and wipe dry.



TROUBLE SHOOTING CHECKLIST: If luminaire does not work

- Check your power source.
- Check electrical connections.