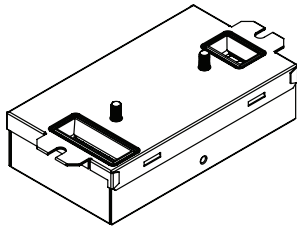
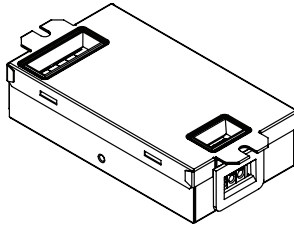


OPTOTRONIC® COMPACT, CONSTANT CURRENT POWER SUPPLIES

Compact Programmable, Constant Current 0-10V Dimmable Power Supplies



J-Style Housing



F-Style Housing

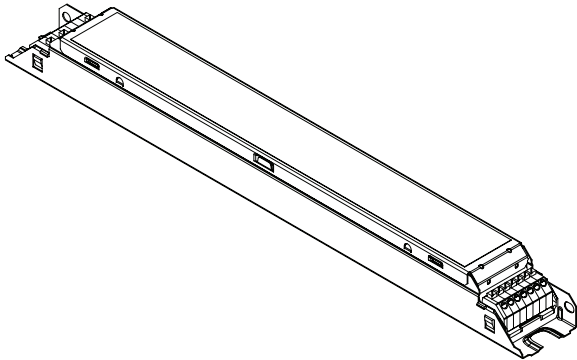
Max Output Power (W)	Output Current (mA)	Output Voltage (Vdc)	Product Number	Ordering Abbreviation	Input Voltage	Power Factor	THD	Dimming Range	Location Rating	LED Thermal Feedback
Dimensions: 5.0" x 2.4" x 1.2" Housing: J-style & F-style										
40	400-1400	10 - 55	79441	OT40W/PRG1400C/UNV/DIM-1/J	120-277	>0.9	<20%	100 - 1%	Damp	Yes
			79442	OT40W/PRG1400C/UNV/DIM-1	120-277	>0.9	<20%	100 - 1%	Damp	Yes
40	400-1400	10 - 55	79449	OT40W/PRG1400C/UNV/DIM/J	120-277	>0.9	<20%	100 - 10%	Damp	Yes
			79448	OT40W/PRG1400C/UNV/DIM	120-277	>0.9	<20%	100 - 10%	Damp	Yes
25	150-1250	10 - 55	79405	OT25W/PRG1250C/UNV/DIM-1	120-277	>0.9	<20%	100 - 1%	Damp	Yes
			79406	OT25W/PRG1250C/UNV/DIM-1/J	120-277	>0.9	<20%	100 - 1%	Damp	Yes
25	350-1250	10 - 55	79403	OT25W/PRG1250C/UNV/DIM	120-277	>0.9	<20%	100 - 10%	Damp	Yes
			79404	OT25W/PRG1250C/UNV/DIM/J	120-277	>0.9	<20%	100 - 10%	Damp	Yes

Accessories

Product Number	Ordering Abbreviation	Description	Required
51645	OT Programmer	USB Programming Tool	Yes
51646	OT Programming Nest	Programming Fixture	Optional

OPTOTRONIC® COMPACT, CONSTANT CURRENT POWER SUPPLIES (CONT.)

Linear Programmable, Constant Current 0-10V Dimmable Power Supplies



Max Output Power (W)	Output Current (mA)	Output Voltage (Vdc)	Product Number	Ordering Abbreviation	Input Voltage	Power Factor	THD	Dimming Range	Location Rating	AUX	LED Thermal Feedback
----------------------	---------------------	----------------------	----------------	-----------------------	---------------	--------------	-----	---------------	-----------------	-----	----------------------

Dimensions: 11" x 1.2" x 1.0"

30	150 - 1050	10-55	79466	OT30W/PRG1050C/UNV/DIM-1/L AUX	120-277	>0.9	<20%	100 - 1%	Damp	Yes	Yes
30	350 - 1050	10-55	79397	OT30W/PRG1050C/UNV/DIM/L AUX	120-277	>0.9	<20%	100 - 10%	Damp	Yes	Yes
30			79630	OT30W/PRG1050C/UNV/DIM/L	120-277	>0.9	<20%	100 - 10%	Damp	No	Yes
48	700 - 2000	10-55	79468	OT48W/PRG2000C/UNV/DIM-1/L AUX	120-277	>0.9	<20%	100 - 1%	Damp	Yes	Yes
			79399	OT48W/PRG2000C/UNV/DIM/L AUX	120-277	>0.9	<20%	100 - 10%	Damp	Yes	Yes
			79632	OT48W/PRG2000C/UNV/DIM/L	120-277	>0.9	<20%	100 - 10%	Damp	No	Yes
50	400 - 1400	10-55	79467	OT50W/PRG1400C/UNV/DIM-1/L AUX	120-277	>0.9	<20%	100 - 1%	Damp	Yes	Yes
			79398	OT50W/PRG1400C/UNV/DIM/L AUX	120-277	>0.9	<20%	100 - 10%	Damp	Yes	Yes
			79631	OT50W/PRG1400C/UNV/DIM/L	120-277	>0.9	<20%	100 - 10%	Damp	No	Yes
85	1250 - 2000	20-55	79470	OTi 85/120-277/2A0 DIMLT2 L	120-277	>0.9	<20%	100 - 10%	Damp	No	Yes
85	2000 - 2600	20-55	79471	OTi 85/120-277/2A6 DIMLT2 L	120-277	>0.9	<20%	100 - 10%	Damp	No	Yes

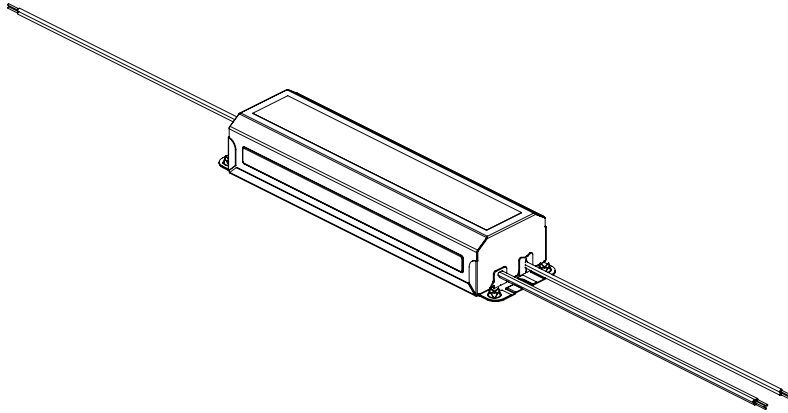
Accessories

Product Number	Ordering Abbreviation	Description	Required
51645	OT Programmer	USB Programming Tool	Yes
51647	OTLinearhandheldPRGTool	Programming Hand-held Tool	Optional
51648	OTLinearAutoPRGTool	Programming Tool	Optional

For the current listing of available products and more complete product information, please visit us at www.osram-americas.com.

OPTOTRONIC® COMPACT, CONSTANT CURRENT POWER SUPPLIES (CONT.)

Outdoor Programmable, Constant Current 2DIM** Dimmable Power Supplies



Max Output Power (W)	Output Current (mA)	Output Voltage (Vdc)	Product Number	Ordering Abbreviation	Input Voltage	Power Factor	THD	Dimming Range	Location Rating	Type HL Type TL*	LED Thermal Feedback
----------------------	---------------------	----------------------	----------------	-----------------------	---------------	--------------	-----	---------------	-----------------	------------------	----------------------

Dimensions: OT50W: 6.6" x 1.7" x 1.2" OT100W: 6.6" x 2.4" x 1.5 OT150W: 9.5" x 2.4" x 1.5"

50	350-800	30-120	79370	OT50W/UNV/800C/2DIMLT2/P6	120-277	>0.9	<20%	100-10%	Damp & Wet	Yes	Yes
50	600-1250	15-55	79371	OT50W/UNV/1250C/2DIMLT2/P6	120-277	>0.9	<20%	100-10%	Damp & Wet	Yes	Yes
100	350-800	50-185	79368	OT100W/UNV/800C/2DIMLT2/P6	120-277	>0.9	<20%	100-10%	Damp & Wet	Yes	Yes
100	600-1250	30-100	79369	OT100W/UNV/1250C/2DIMLT2/P6	120-277	>0.9	<20%	100-10%	Damp & Wet	Yes	Yes
180	350-800	82-280	79366	OT180W/UNV/800C/2DIMLT2/P6	120-277	>0.9	<20%	100-10%	Damp & Wet	Yes	Yes
180	600-1250	70-210	79367	OT180W/UNV/1250C/2DIMLT2/P6	120-277	>0.9	<20%	100-10%	Damp & Wet	Yes	Yes
180	350-800	82-280	79208	OT180W/347-480/800C/2DIMLT2/P6	347-480	>0.9	<20%	100-10%	Damp & Wet	Yes	Yes
180	600-1250	70-210	79209	OT180W/347-480/1250C/2DIMLT2/P6	347-480	>0.9	<20%	100-10%	Damp & Wet	Yes	Yes

Accessories

Product Number	Ordering Abbreviation	Description	Required Accessory
51645	OT Programmer	USB Programming Tool	Yes
79360	OTOutdoorPRGTool	Programming Tool for Outdoor Drivers	Optional

*Type HL - Hazardous Locations Type TL – Thermally Limited

**Dimming – AstroDIM & 0-10V

For the current listing of available products and more complete product information, please visit us at www.osram-americas.com.