

OPTOTRONIC® Electronic 24V DC LED Power Supplies

Power Supply Guide

OT6/100-120/24CE
OT17/120-277/24E
OT20/120-240/24S
OT30/120/24CORD
OT50/120/24LP
OT75/120-277/24E
OT96/120-277/24D
OT96/120-277/24
OT240/120-240/24/CH3

LED power supplies compatible with:
24V LED Modules

Key System Features

- Class 2 output
- Long life
- Short circuit and overload protection
- Remote mounting possible
- OT6, OT17, & OT75 models are rated for outdoor, damp locations
- OT96 & OT240 models are IP66 rated for wet locations

Application Information

OSRAM OPTOTRONIC

power supplies are ideally suited for:

- Low & medium power applications
- Signs
- Compact installations
- Path and roadway marking
- Backlighting
- Step and seat marking
- Effect lighting
- Panel lighting
- Ambience lighting inside furniture
- Wall washing
- General lighting

OSRAM OPTOTRONIC power supplies are compact and electronically stabilized. The wide range of input voltage, on select models, from 100 to 277 VAC enables worldwide use on single-phase AC power lines. These supplies are available with 24VDC outputs.

OPTOTRONIC power supplies are protected against open circuit, short circuit, overload and overheating conditions. They meet the highest industry standards.

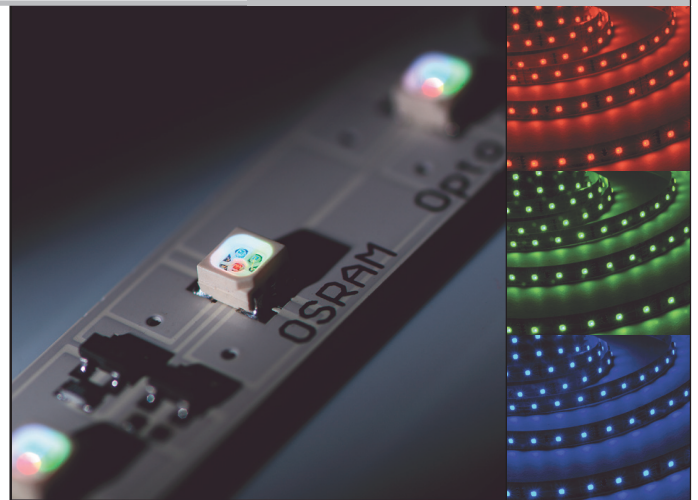


System Information

OSRAM SYLVANIA has introduced a full line of LED modules (Light Emitting Diodes) and power supply products.

LED modules can be used in a wide variety of applications due to our variable module design, module geometries, and range of available colors.

The LEDs are available in many different configurations to meet the demands of these applications. For additional information about OSRAM LED systems, contact OSRAM SYLVANIA or visit www.sylvania.com/LED.



OPTOTRONIC® 24V DC SUPPLIES

Electronic LED Power Supplies

OT6 Case

Packaging:

Quantity: 20 pieces/carton

Weight: 0.16 lbs each (approx.)

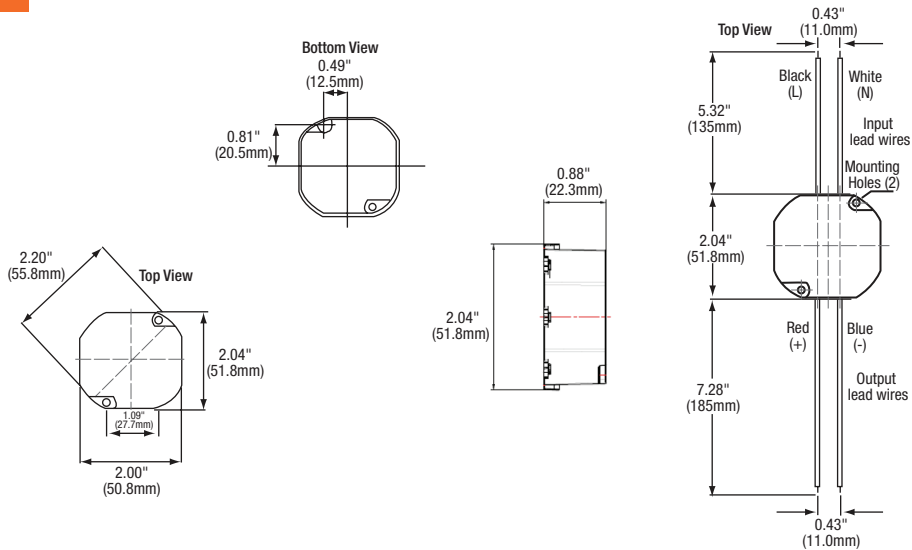
3.72 lbs/carton

Wiring: Leads only

(no connectors)

Input: (18AWG wire)

Output: (18AWG wire)



OT17 Case

Packaging:

Quantity: 50 pieces/carton

Weight: 0.36 lbs each (approx.)

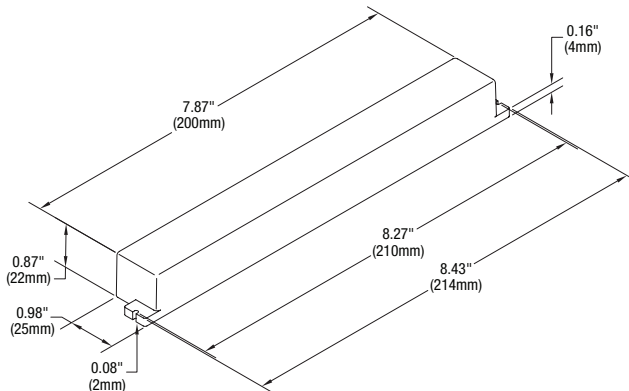
18.3 lbs/carton

Wiring: Leads only (no connectors)

Input: 6" (18AWG wire) black & white wires

Output: 6" (18AWG wire)

gray+ & black- wires



OT20 Case

Packaging:

Quantity: 30 pieces/carton

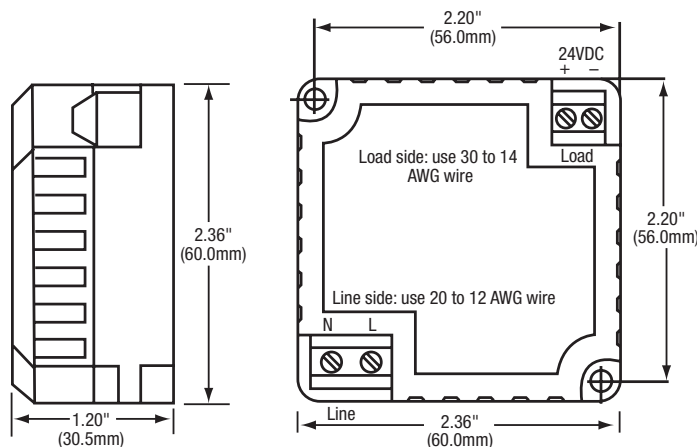
Weight: 0.21 lbs each (approx.)

6.30 lbs/carton

Wiring: Connectors only

(No leads provided) Use solid

or stranded copper wire only



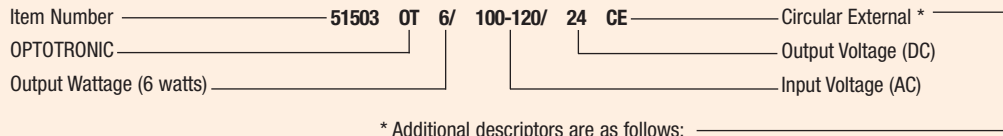
For complete power supply and LED module details, refer to the OSRAM SYLVANIA LED Systems Specification Guide or go to www.sylvania.com

SEE THE WORLD IN A NEW LIGHT



OPTOTRONIC® 24V DC SUPPLIES (DC OUTPUT)

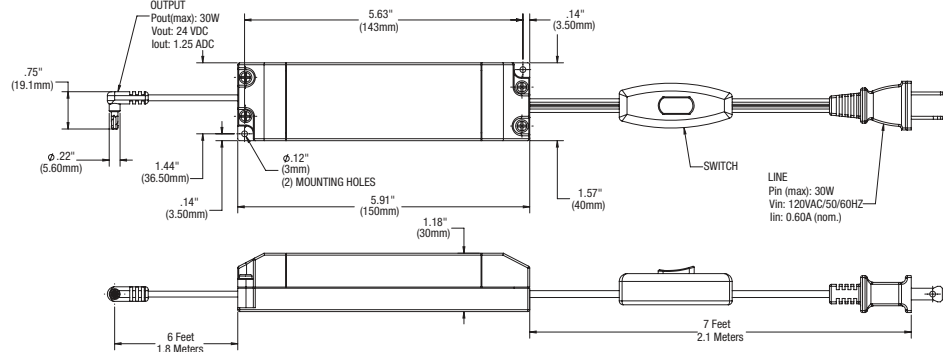
Electronic LED Power Supplies



* Additional descriptors are as follows: _____
 CE = Circular External, CH3 = 3 Channels, D = Indoor, E = External, LP = Low Profile, S = Square

OT30 Case

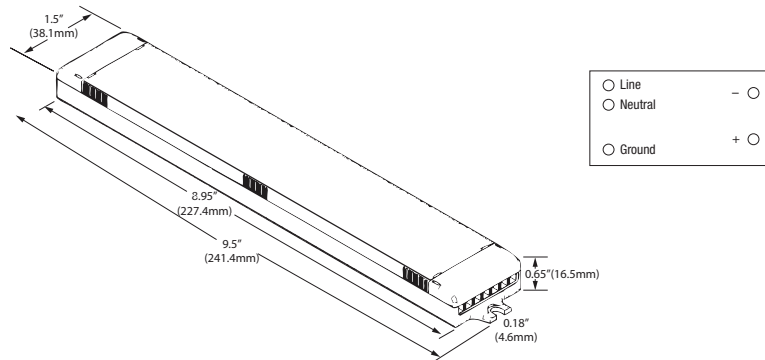
Packaging:
 Quantity: 50 pieces/carton
 Weight: 0.63 lbs each (approx.)
 31.77 lbs/carton



OT50 Case

Packaging:
 Quantity: 20 pieces/carton
 Weight: 0.4 lbs each (approx.)
 8.5 lbs/carton

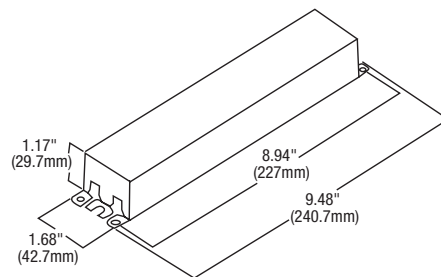
Wiring: Connectors only
 (No leads provided)
 Use 14-22AWG solid or
 stranded copper wire only



OT75 Case

Packaging:
 Quantity: 10 pieces/carton
 Weight: 1.35 lbs each (approx.)
 14 lbs/carton

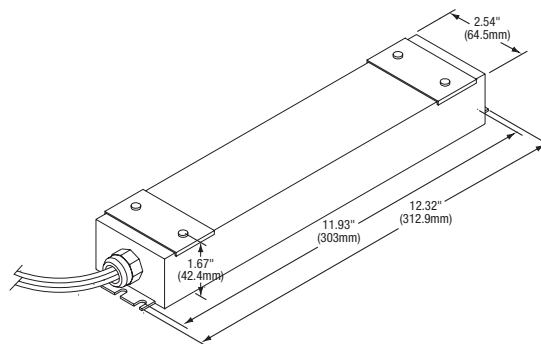
Wiring: Leads only (no connectors)
 Input: 9" (18AWG wire) black & white wires
 Output: 9" (18AWG wire)
 red+ & blue- wires



OT96 Case (Wet Rated)

Packaging:
 Quantity: 16 pieces/carton
 Weight: 2 lbs each (approx.)
 33 lbs/carton

Wiring: Leads only (2.76" 18AWG wire)
 Input: Black (L), White (N), & Green/Yellow (GRD)
 wires with a UL Listed, 1/2" Metallic fitting
 Output: Gray (+) & Black (-) with a UL Listed,
 1/2" plastic fitting



Specifications subject to change without notice.

SPECIFICATION DATA

Catalog #	Date	Type
Project	Prepared by	
Comments		

OPTOTRONIC LED Power Supplies (DC Output)

Item Number	Description	Nominal Input Voltage (VAC)	Nominal Input Current (Amps)	Power Factor	Nominal Input Power (W)	Output Voltage (VDC)	Output Power Range (W)	Max. Line Ripple (V)	UL/ETL file#	Location Rating
51503	OT6/100-120/24CE	120	0.11	0.55	7.1	24.0±0.5	0.9-6	±0.2V	E258264	Damp
51622	OT17/120-277/24E	120 277	0.19 0.10	0.92	21	24.0±0.5	0.8-17	±1.0V	E220096	Damp
51512	OT20/120-240/24S	120 240	0.38 0.19	0.5	23	24.0±1.0	0.9-20	±0.2V	E258264	Dry
51521	OT30/120/24CORD	120	0.63	0.5	38	24.0±1.0	1-30	±1.5V	3137489	Dry
51598	OT50/120/24LP	120	0.47	0.99	56	24.0±0.5	0.9-50	±0.2V	E248522	Dry
51514 ³	OT75/120-277/24E	120 277	0.76 0.33	0.99	90	24.0±0.5	0.9-75	±0.2V	E258264	Damp
51510	OT96/120-277/24D	120 277	0.91 0.39	0.99	108	24.0±0.5	0.8-96	±1.0V	E220096	Dry
51511	OT96/120-277/24	120 277	0.91 0.39	0.99	108	24.0±0.5	0.8-96	±1.0V	E220096	WET ²
51515	OT240/120-240/24/CH3	120 240	2.39 1.19	0.99	285	24.0±0.5	0.8-240	±1.0V	E220096	WET ²

1: All power supplies can be remote mounted up to 32 feet. Although it is possible to exceed the remote mounting distance, the installer and/or end user must take precautions to prevent and/or test the effects of EMI (electromagnetic interference).
 2: Use wiring rated and marked PLTC, CL3R, and "sun resistant"
 3: 51514 replaces 51513 (OT75/120/24), which is discontinued

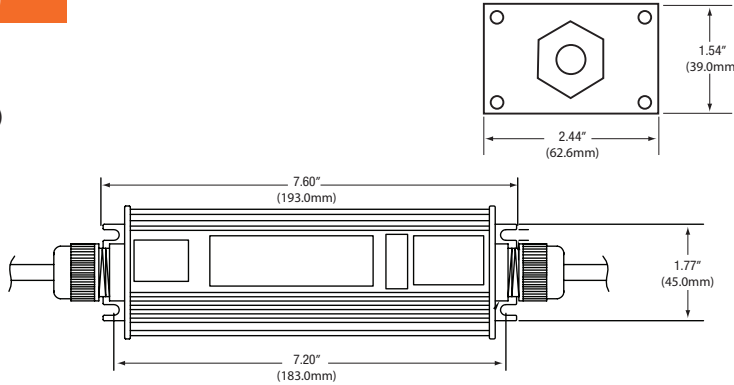
OT96 Case (Dry Rated)

Packaging:

Quantity: 20 pieces/carton
 Weight: 1.6 lbs each (approx.)
 33 lbs/carton

Wiring: Leads only

(12" 18AWG wire)
 Input: Black (L), White (N), & Green/Yellow (GRD)
 Output: Red (+) & Black (-)



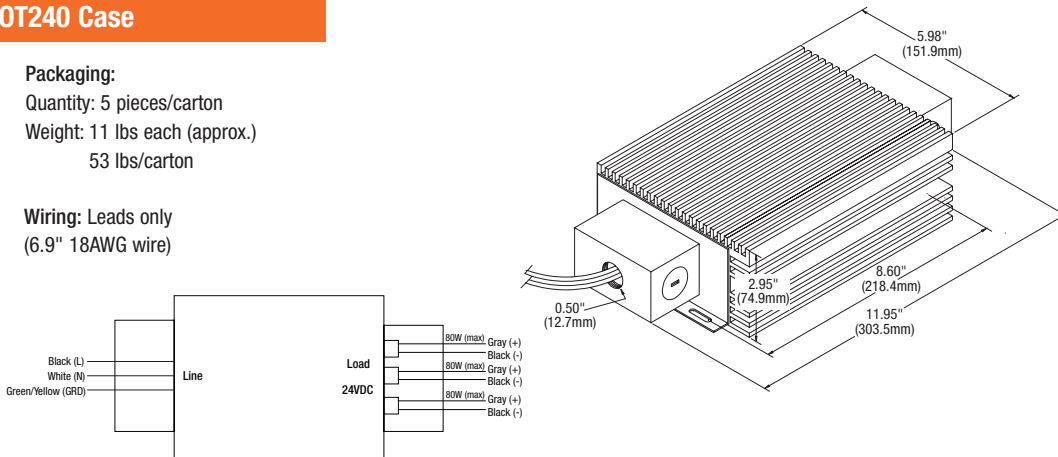
OT240 Case

Packaging:

Quantity: 5 pieces/carton
 Weight: 11 lbs each (approx.)
 53 lbs/carton

Wiring: Leads only

(6.9" 18AWG wire)



OPTOTRONIC®

24V DC LED Power Supplies

Specifications

Class 2 Outputs

Input Voltage Range (Min/Max):

OT6: 90 - 132 VAC
 OT20 & OT240: 108 - 254 VAC
 OT30 & OT50: 108 - 132 VAC
 OT17, OT75 & OT96: 100 - 305 VAC

Input Frequency: 50/60Hz

Ambient Temp. Range:

-20°C through +50°C
 OT30: -20°C through +45°C
 OT75/120-277: -25°C through +60°C
 OT17, OT96 & OT240: -30°C through +70°C

Max. Case Temp:

OT30: 45°C
 OT6, OT50: 70°C
 OT20: 75°C
 OT17, OT75, OT96 & OT240: 90°C



OT6, OT17, OT20, OT75: UL 1310, UL48
 Recognized for US & Canada Class 2 Unit
 OT96 & OT240: UL48 Recognized for US & Canada Class 2 Unit
 OT50: UL1310 Recognized for US & Canada Class 2 Unit



OT30: ETL listed and conforms to UL1310



OT6, OT75 are CSA approved
 FCC 47CFR Part 15 compliant RoHS compliant

Life / Warranty

OPTOTRONIC LED Power Supply Products are covered by our OPTOTRONIC power supply warranty. For additional details, refer to our latest version of the warranty bulletin.

OSRAM SYLVANIA
National Customer Service and Sales Center
 1-800-LIGHTBULB
 (1-800-544-4828)
www.sylvania.com

Specifications subject to change without notice.