

SYLVANIA Lamps

ULTRA LED™ High Wattage High Bay Retrofit

Application

ULTRA LED High Bay lamps are ideal replacements for HID indoor high bay applications including retail, factory, garage, warehouse, and other industrial settings.

Benefits and Features

- Lasts up to 5x longer than HID lamps
- No warm-up time, instant on with full light output and stable color
- Consumes up to 70% less energy than equivalent HID lamps while delivering same light
- Replacement for up to 400W HID applications
- Up to 156 LPW
- 4000K or 5000K color temperature
- CRI >80
- Offered in 140 and 160 watts
- 110° beam angle
- Energy savings up to 81%

Electrical

- 120-277VAC
- Power Factor >90%
- THD <20%
- Optional Motion/PIR Sensor available
- 6kV surge suppressor

Rated Life

- 50,000 hours (L₇₀)

Warranty

- 5-year
- NLB Trusted Warranty Program

Ambient Operating Range

- -40°F to +122°F (-40°C to +50°C)



Wattage Comparison

Traditional Source	Traditional System Wattage	LED System Wattage	Energy Savings
320W MH	370	140	62%
400W HPS	460	140	70%
400W MH	450	140	69%
400W MH	450	160	65%

Certifications and Listings

- cULus*
- RoHS
- FCC
- DLC Premium
- IP64
- Damp Rated

*UL1598C and UL1993

Installation

- Requires easy ballast bypass
- Lamp operates directly on line voltage, 120-277VAC



Specification Data

Catalog #	Type
Project	
Comments	
Prepared by	

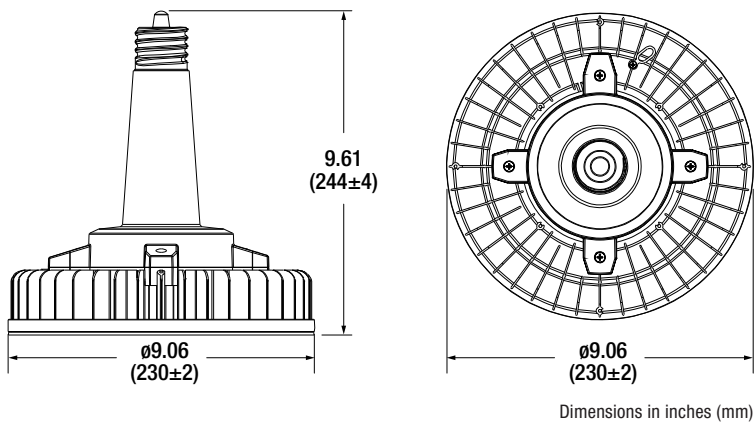
Ordering Guide

LED	XXX	HIBAY	UNV	8	XX	WH	MOG
Product Name	Wattage	Application	Voltage	CRI	Color Temperature	Color / Finish	Base Type
LED = LED Technology	140 = 140 Watts 160 = 160 Watts	HIBAY = Intended for High Bay Applications	UNV=120-277V	8 = >80	40 = 4000K 50 = 5000K	WH = White	MOG = Mogul Base

Ordering Information

Item Number	Ordering Abbreviation	Total Wattage (W)	Input Voltage (V)	CRI	Color Temperature	Distribution (Beam Angle)	Total Fixture Lumens (lm)	LPW	DLC
41413	LED140HIBAYUNV840WHMOG	140	120-277	>80	4000K	110°	19,600	140	Premium
41414	LED140HIBAYUNV850WHMOG	140	120-277	>80	5000K	110°	20,300	145	Premium
41415	LED160HIBAYUNV840WHMOG	160	120-277	>80	4000K	110°	23,200	145	Premium
41416	LED160HIBAYUNV850WHMOG	160	120-277	>80	5000K	110°	25,000	156	Premium

Physical Information



Accessories

Item Number	Ordering Abbreviation	Description
41146	LED/HIDR/SENSORMICROWAVE/MOT/DAY	Microwave sensor for HIDr products
41145	LED/HIDR/REMOTE	Remote Control for sensor NAED 41146

Sensor



Remote

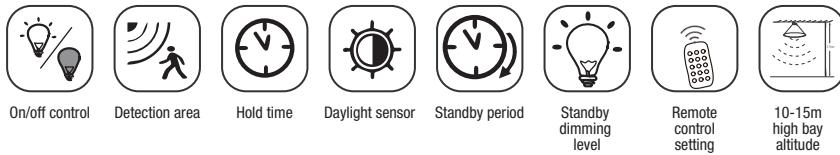


Safety Cable*



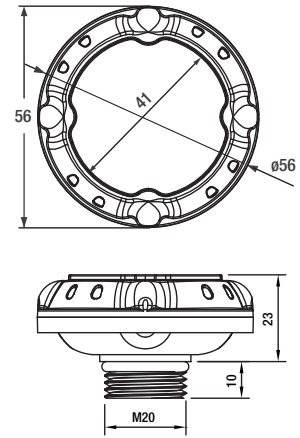
*included with every 80W, 100W or 120W unit

Sensor Features

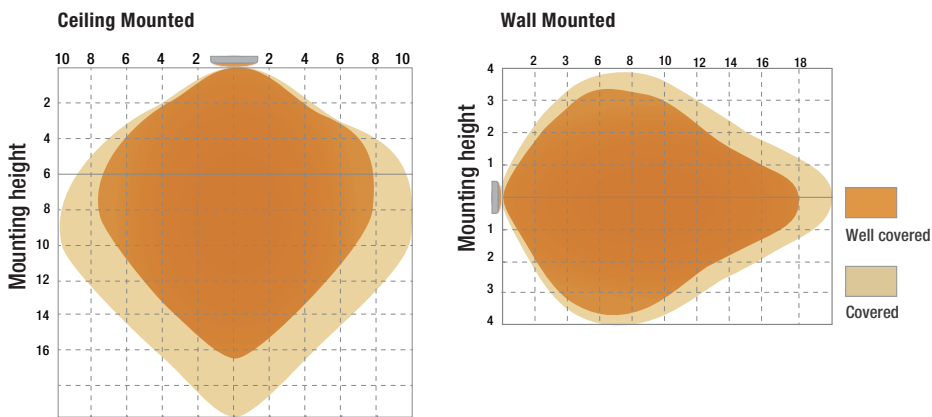


- Microwave motion & daylight sensor operating frequency: 5.8GHz (enables energy savings)
- Dual PD technology: Differentiates between artificial light brightness from natural light. Automatically turns off the light when ambient brightness exceeds present lux level.
- Plug & Play: 3 Pins, 12V, <0.5W standby power
- Detection area: Angle: 30° to 150°, Height: 49.2ft (ceiling mount)
- Superior construction: IP65 Rating
- Brightness: 70%/80%/90%/100%
- Mounting height: Max. 49.2ft (ceiling mounted)
- Detection range: ø49.2ft (ceiling mounted), Max. 65.6ft (wall mounted)
- Operating temperature: -14°F to +140°F (-25°C to +60°C)

Sensor Dimensions



Detection Coverage*



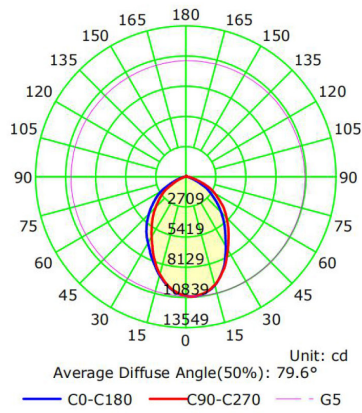
* Range listed in meters

Remote Control Features

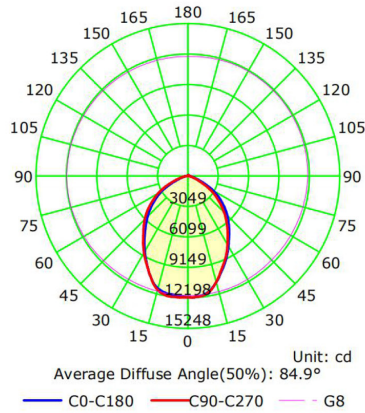
- Enables changing settings later after initial installation
- Selection from wider options for each of following features:
 - ON/OFF
 - Detection Area
 - Sensitivity
 - Hold Time: The period for which light brightness is at 100% after moving objects leave the detection area
 - Standby Dimming Level: Low light output level in the standby period
 - Standby Period: The period for which light brightness is at low output before it's completely switched off
 - Daylight Threshold

Photometric Information

140W

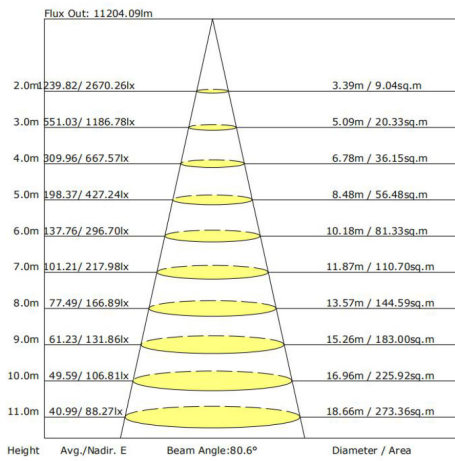


160W

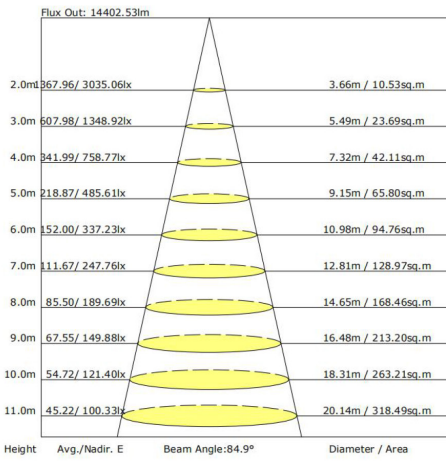


Illuminance Information

140W



160W



Additional Specifications

- Suitable for damp locations
- Suitable for open and enclosed fixtures
- CEC exempt

LEDVANCE LLC
200 Ballardvale Street
Wilmington, MA 01887 USA
Phone 1-800-LIGHTBULB (1-800-544-4828)
www.ledvanceUS.com

SYLVANIA and LEDVANCE are registered trademarks.
All other trademarks are those of their respective owners.
Licensee of product trademark SYLVANIA in general lighting.
Specifications subject to change without notice.

/sylvania /sylvania

