

SYLVANIA Lamps

Natural™ Series Reflector Family

TruWave Technology™

TruWave Technology offers the best alternative to natural light by mimicking the natural light spectrum, all while saving energy.

Benefits and Features

- Controls blue wavelengths for lower glare and reduced eye strain to improve readability and supports an improved sleep-wake cycle
- Perfect fit where clean light color rendering is needed for seeing realistic, vivid colors without sacrificing light output
- Properly saturates red to make building spaces and flesh tones accurate and vibrant, without oversaturating which compromises energy efficiencies
- Exceptional color quality without the loss of efficacy typical of most 90+ CRI solutions
- Up to 92 LPW
- 2700K, 3000K, 3500K, 4000K and 5000K color temperatures
- CRI 90+
- Available beam angle: 110°

Electrical

- 120VAC
- Power factor >0.90
- Dimmable down to 10%

Rated Life

- 15,000 hours (L₇₀)

Warranty

- 5 year limited lamp warranty (3 hours per day operation)
- NLB Trusted Warranty Program

Ambient Operating Range

- -4°F to 104°F (-20°C to 40°C)



Wattage Comparison

| Traditional Source | Traditional System Wattage | LED System Wattage | Energy Savings |
|--------------------|----------------------------|--------------------|----------------|
| R20 Incandescent | 45 | 5 | \$74.25 |
| BR30 Incandescent | 65 | 7 | \$95.70 |
| BR40 Incandescent | 85 | 12 | \$120.45 |

Certifications and Listings

- cULus
- RoHS
- ENERGY STAR®
- California Title 20 Certified

Installation

- Suitable for indoor and outdoor dry and damp locations
- Not for use in totally enclosed fixtures, emergency light fixtures, or exit lights



Specification Data

| | |
|-------------|------|
| Catalog # | Type |
| Project | |
| Comments | |
| Prepared by | |

Ordering Guide

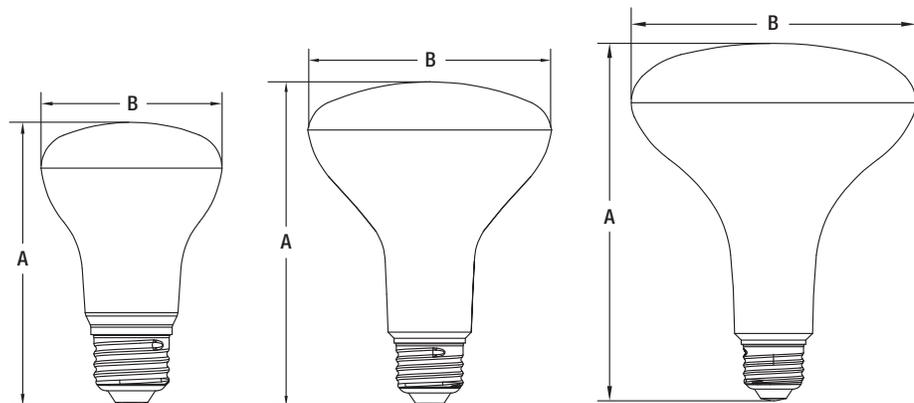
| LED | XX | XXXX | DIM | 9 | XX | TL | RPX |
|-----|--|--|----------------|----------------|---|---|--------------------------------------|
| LED | Wattage 5 = 5 Watts 7 = 7 Watts 12 = 12 Watts | Lamp Type R20 = R20 BR30 = BR30 BR40 = BR40 | DIM = Dimmable | CRI 9 = 90+ | Color Temperature 27 = 2700K 30 = 3000K 35 = 3500K 40 = 4000K 50 = 5000K | TL = Natural with TruWave Technology™ | RP2 = 2PK Retail RP6 = 6PK Retail |

Ordering Information

| Item Number | Ordering Abbreviation | Power (W) | Lumens | Base | Replaces | Input Voltage | Average Rated Life | | CRI | ENERGY STAR® |
|-------------|----------------------------------|-----------|--------|------------|----------|---------------|--------------------|-------|-----|--------------|
| | | | | | | | (hrs) | CCT | | |
| 40788 | LED5R20DIM927TLRP2 12/CS 2/SKU | 5 | 450 | E26 Medium | 45W R20 | 120V | 15,000 | 2700K | 90+ | Yes |
| 40789 | LED5R20DIM930TLRP2 12/CS 2/SKU | 5 | 450 | E26 Medium | 45W R20 | 120V | 15,000 | 3000K | 90+ | Yes |
| 41153 | LED5R20DIM935TLRP2 12/CS 2/SKU | 5 | 450 | E26 Medium | 45W R20 | 120V | 15,000 | 3500K | 90+ | Yes |
| 41188 | LED5R20DIM940TLRP2 12/CS 2/SKU | 5 | 450 | E26 Medium | 45W R20 | 120V | 15,000 | 4000K | 90+ | Yes |
| 40790 | LED5R20DIM950TLRP2 12/CS 2/SKU | 5 | 450 | E26 Medium | 45W R20 | 120V | 15,000 | 5000K | 90+ | Yes |
| 40728 | LED7BR30DIM927TLRP2 12/CS 2/SKU | 7 | 650 | E26 Medium | 65W BR30 | 120V | 15,000 | 2700K | 90+ | Yes |
| 41328 | LED7BR30DIM927TLRP6 24/CS 6/SKU | 7 | 650 | E26 Medium | 65W BR30 | 120V | 15,000 | 2700K | 90+ | Yes |
| 40831 | LED7BR30DIM930TLRP2 12/CS 2/SKU | 7 | 650 | E26 Medium | 65W BR30 | 120V | 15,000 | 3000K | 90+ | Yes |
| 41154 | LED7BR30DIM935TLRP2 12/CS 2/SKU | 7 | 650 | E26 Medium | 65W BR30 | 120V | 15,000 | 3500K | 90+ | Yes |
| 40832 | LED7BR30DIM940TLRP2 12/CS 2/SKU | 7 | 650 | E26 Medium | 65W BR30 | 120V | 15,000 | 4000K | 90+ | Yes |
| 40730 | LED7BR30DIM950TLRP2 12/CS 2/SKU | 7 | 650 | E26 Medium | 65W BR30 | 120V | 15,000 | 5000K | 90+ | Yes |
| 41329 | LED7BR30DIM950TLRP6 24/CS 6/SKU | 7 | 650 | E26 Medium | 65W BR30 | 120V | 15,000 | 5000K | 90+ | Yes |
| 40785 | LED12BR40DIM927TLRP2 12/CS 2/SKU | 12 | 1100 | E26 Medium | 85W BR40 | 120V | 15,000 | 2700K | 90+ | Yes |
| 40786 | LED12BR40DIM930TLRP2 12/CS 2/SKU | 12 | 1100 | E26 Medium | 85W BR40 | 120V | 15,000 | 3000K | 90+ | Yes |
| 41155 | LED12BR40DIM935TLRP2 12/CS 2/SKU | 12 | 1100 | E26 Medium | 85W BR40 | 120V | 15,000 | 3500K | 90+ | Yes |
| 41214 | LED12BR40DIM940TLRP2 12/CS 2/SKU | 12 | 1100 | E26 Medium | 85W BR40 | 120V | 15,000 | 4000K | 90+ | Yes |
| 40787 | LED12BR40DIM950TLRP2 12/CS 2/SKU | 12 | 1100 | E26 Medium | 85W BR40 | 120V | 15,000 | 5000K | 90+ | Yes |

Physical Information

| | (A) MOL inches (mm) | (B) Diameter inches (mm) |
|------|---------------------------|--------------------------------|
| R20 | 3.90 (99) | 2.48 (63) |
| BR30 | 5 (127) | 3.74 (95) |
| BR40 | 6.14 (156) | 4.88 (124) |



Color Quality Comparison

| CCT | Spectral Power Distribution | TM-30-18 Fidelity Index |
|-------|---|---|
| 2700K | <p> — TruWave Technology™ — Typical CRI80 - - Black Body 2700K — Unnatural Blue Light Peak </p> | <p> TruWave™ LED – Optimized Color Fidelity $R_f=85$ </p> <p> 80 CRI LED </p> |
| 3000K | <p> — TruWave Technology™ — LED Tube, CRI80 - - Black Body 3000K </p> | <p> TruWave™ LED – Optimized Color Fidelity $R_f=84$ </p> <p> 80 CRI LED </p> |
| 4000K | <p> — TruWave Technology™ — LED Tube, CRI80 - - Black Body 4100K — Unnatural Blue Light Peak </p> | <p> TruWave™ LED – Optimized Color Fidelity $R_f=85$ </p> <p> 80 CRI LED </p> |
| 5000K | <p> — TruWave Technology™ — Typical CRI80 - - Natural Light (D50) — Unnatural Blue Light Peak </p> | <p> TruWave™ LED – Optimized Color Fidelity $R_f=86$ </p> <p> 80 CRI LED </p> |

LEDVANCE LLC
200 Ballardvale Street
Wilmington, MA 01887 USA
Phone 1-800-LIGHTBULB (1-800-544-4828)
www.ledvanceUS.com

SYLVANIA and LEDVANCE are registered trademarks.
All other trademarks are those of their respective owners.
Licensee of product trademark SYLVANIA in general lighting.
Specifications subject to change without notice.

 /sylvania  /sylvania

