

SYLVANIA Lamps

Natural™ Series PAR Family

TruWave Technology™

TruWave Technology offers the best alternative to natural light by mimicking the natural light spectrum, all while saving energy.

Benefits and Features

- Controls blue wavelengths for lower glare and reduced eye strain to improve readability and supports an improved sleep-wake cycle
- Perfect fit where clean light color rendering is needed for seeing realistic, vivid colors without sacrificing light output
- Properly saturates red to make building spaces and flesh tones accurate and vibrant, without oversaturating (which compromises energy efficiency)
- Exceptional color quality without the loss of efficacy typical of most 90+ CRI solutions
- Up to 85 LPW
- 3000K and 5000K color temperatures (4000K available in PAR20, PAR30, PAR38)
- CRI 90+
- Available beam angles: 25° and 40°

Electrical

- 120VAC
- Power factor >0.90
- Dimmable down to 10%

Rated Life

- 25,000 hours (L₇₀)

Warranty

- 5 year limited lamp warranty
- NLB Trusted Warranty Program

Ambient Operating Range

- -4°F to 113°F (-20°C to 45°C)



Wattage Comparison

PAR Lamp	Traditional Source	Traditional System Wattage	LED System Wattage	Energy Savings
PAR16	Halogen	50	6	\$121
PAR20	Halogen	50	6.5	\$119.63
PAR30	Halogen	75	10	\$181.50
PAR38	Halogen	100	13	\$211.75
PAR38	Halogen	120	15	\$291.50

Certifications and Listings

- cETLus
- RoHS
- ENERGY STAR®
- CEC Title 20

Installation

- Suitable for indoor and outdoor dry, damp and wet locations
- Not for use in totally enclosed fixtures, emergency light fixtures, or exit lights



Catalog #	Type
Project	
Comments	
Prepared by	

Ordering Guide

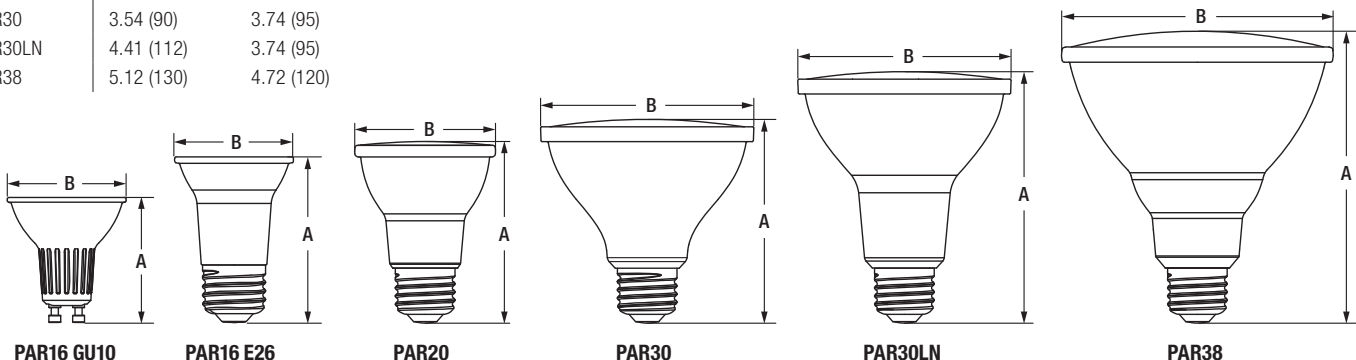
LED	XX	PARXX	XXXX	DIM	9	XX	TL	XXX	XX	GL	RP
LED	Wattage 6 = 6 Watts 6.5 = 6.5 Watts 10 = 10 Watts 13 = 13 Watts 15.5 = 15.5 Watts	Lamp Type PAR16, PAR20, PAR30, PAR30LN, PAR38	Base Blank = E26 GU10 = GU10	DIM = Dimmable	CRI 9 = 90+	Color Temperature 30 = 3000K 40 = 4000K 50 = 5000K	TL = Natural with TruWave Technology™	FL = Flood NFL = Narrow Flood	40 = 40° 25 = 25°	GL = Glass	RP = Retail Pack

Ordering Information

Item Number	Ordering Abbreviation	Power (W)	Base Type	Replaces	Input Voltage	Average Life (hrs)	Typical Lumens (lm)	CBCP	CCT	CRI
40930	LED6PAR16DIM930TLFL40GLRP 6/CS 1/SKU	6	E26	50W Halogen	120V	25,000	450	676	3000K	90+
40931	LED6PAR16DIM950TLFL40GLRP 6/CS 1/SKU	6	E26	50W Halogen	120V	25,000	450	676	5000K	90+
40932	LED6PAR16GU10DIM930TLFL40GLRP 6/CS 1/SKU	6	GU10	50W Halogen	120V	25,000	450	676	3000K	90+
40933	LED6PAR16GU10DIM950TLFL40GLRP 6/CS 1/SKU	6	GU10	50W Halogen	120V	25,000	450	676	5000K	90+
40920	LED6.5PAR20DIM930TLFL40GLRP 6/CS 1/SKU	6.5	E26	50W Halogen	120V	25,000	550	1097	3000K	90+
41119	LED6.5PAR20DIM940TLFL40GLRP 6/CS 1/SKU	6.5	E26	50W Halogen	120V	25,000	550	1097	4000K	90+
40921	LED6.5PAR20DIM950TLFL40GLRP 6/CS 1/SKU	6.5	E26	50W Halogen	120V	25,000	550	1097	5000K	90+
40914	LED10PAR30DIM930TLNFL25GLRP 6/CS 1/SKU	10	E26	75W Halogen	120V	25,000	850	1903	3000K	90+
41118	LED10PAR30DIM940TLFL40GLRP 6/CS 1/SKU	10	E26	75W Halogen	120V	25,000	850	1903	4000K	90+
40915	LED10PAR30DIM950TLNFL25GLRP 6/CS 1/SKU	10	E26	75W Halogen	120V	25,000	850	1903	5000K	90+
40916	LED10PAR30DIM930TLFL40GLRP 6/CS 1/SKU	10	E26	75W Halogen	120V	25,000	850	1903	3000K	90+
40917	LED10PAR30DIM950TLFL40GLRP 6/CS 1/SKU	10	E26	75W Halogen	120V	25,000	850	1903	5000K	90+
40910	LED10PAR30LNDIM930TLNFL25GLRP 6/CS 1/SKU	10	E26	75W Halogen	120V	25,000	850	1903	3000K	90+
40911	LED10PAR30LNDIM950TLNFL25GLRP 6/CS 1/SKU	10	E26	75W Halogen	120V	25,000	850	1903	5000K	90+
40912	LED10PAR30LNDIM930TLFL40GLRP 6/CS 1/SKU	10	E26	75W Halogen	120V	25,000	850	1903	3000K	90+
40913	LED10PAR30LNDIM950TLFL40GLRP 6/CS 1/SKU	10	E26	75W Halogen	120V	25,000	850	1903	5000K	90+
40899	LED13PAR38DIM930TLNFL25GLRP 6/CS 1/SKU	13	E26	100W Halogen	120V	25,000	1100	5681	3000K	90+
40900	LED13PAR38DIM950TLNFL25GLRP 6/CS 1/SKU	13	E26	100W Halogen	120V	25,000	1100	5681	5000K	90+
40901	LED13PAR38DIM930TLFL40GLRP 6/CS 1/SKU	13	E26	100W Halogen	120V	25,000	1100	2082	3000K	90+
41115	LED13PAR38DIM940TLFL40GLRP 6/CS 1/SKU	13	E26	100W Halogen	120V	25,000	1100	2082	4000K	90+
40902	LED13PAR38DIM950TLFL40GLRP 6/CS 1/SKU	13	E26	100W Halogen	120V	25,000	1100	2082	5000K	90+
40903	LED15.5PAR38DIM930TLNFL25GLRP 6/CS 1/SKU	15.5	E26	120W Halogen	120V	25,000	1250	6534	3000K	90+
40904	LED15.5PAR38DIM950TLNFL25GLRP 6/CS 1/SKU	15.5	E26	120W Halogen	120V	25,000	1250	6534	5000K	90+
40905	LED15.5PAR38DIM930TLFL40GLRP 6/CS 1/SKU	15.5	E26	120W Halogen	120V	25,000	1250	2390	3000K	90+
41116	LED15.5PAR38DIM940TLFL40GLRP 6/CS 1/SKU	15.5	E26	120W Halogen	120V	25,000	1250	2390	4000K	90+
40906	LED15.5PAR38DIM950TLFL40GLRP 6/CS 1/SKU	15.5	E26	120W Halogen	120V	25,000	1250	2390	5000K	90+

Physical Information

	(A) Height inches (mm)	(B) Diameter inches (mm)
PAR16 GU10	2.05 (52)	1.97 (50)
PAR16 E26	2.76 (70)	1.97 (50)
PAR20	3.19 (81)	2.48 (63)
PAR30	3.54 (90)	3.74 (95)
PAR30LN	4.41 (112)	3.74 (95)
PAR38	5.12 (130)	4.72 (120)



Color Quality Comparison

CCT	Spectral Power Distribution	TM-30-18 Fidelity Index
3000K		
4000K		
5000K		

LEDVANCE LLC
 200 Ballardvale Street
 Wilmington, MA 01887 USA
 Phone 1-800-LIGHTBULB (1-800-544-4828)
 www.ledvanceUS.com

SYLVANIA and LEDVANCE are registered trademarks.
 All other trademarks are those of their respective owners.
 Licensee of product trademark SYLVANIA in general lighting.
 Specifications subject to change without notice.

