

SYLVANIA Lamps

LightSHIELD

Application

SYLVANIA LightSHIELD helps fight germs and odors by using visible light to activate a nanolevel lamp coating that interacts with the surrounding air. The room's natural air circulation brings organic compounds into contact with the coating, where they are decomposed and neutralized. No LightSHIELD material is consumed during the reaction, resulting in a permanent coating that may last for many years. Having fewer germs in the air reduces the chance of getting sick.

Benefits and Features

- SYLVANIA LightSHIELD helps fight many common airborne germs and decomposes odors including:
 - Escherichia coli (E coli)
 - H1N1 (Flu)
 - Staphylococcus aureus
 - Methicillin-Resistant staphylococcus aureus
 - Aspergillus niger spore
 - Household odors
- Up to 93 LPW
- CRI >80 and >90
- Available in 2700K and 5000K color temperatures

Electrical

- 120V_{AC}
- 0-10V dimmable (BR30 and CEC A19 only)

Rated Life

- 11,000 hours (L₇₀) (A19 and BR30 non-CEC)
- 15,000 hours (L₇₀) (A19 CEC)
- 25,000 hours (L₇₀) (BR30 CEC)

Warranty

- 3-year
- NLB Trusted Warranty Program

Ambient Operating Range

- -4°F to +104°F (-20°C to +40°C)



Wattage Comparison

Traditional Source	Traditional System Wattage	LED System Wattage	Energy Savings
Incandescent	60	8.5	85%
Incandescent	60	10	83%
Incandescent	65	9	86%
Incandescent	65	7.5	88%

Certifications and Listings

- cULus
- RoHS
- FCC
- ENERGY STAR® (CEC types only)



Specification Data

Catalog #	Type
Project	
Comments	
Prepared by	

Ordering Guide

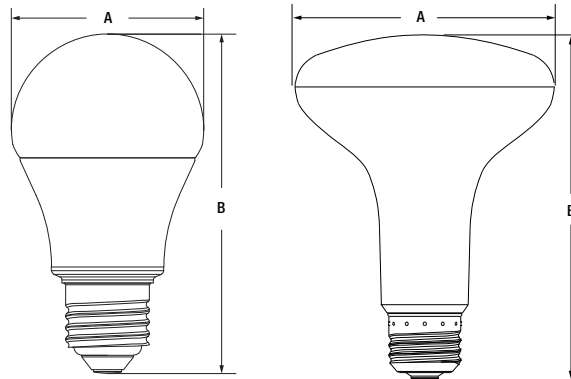
LED	XX	XXXX	DIM	X	XX	10YV	LS	RPX
Product Name	Wattage	Lamp Type	DIM = Dimmable	CRI	Color Temperature	Lifetime	LightSHIELD Technology	Packaging
LED = LED	7.5 = 7.5 watts	BR30 = BR30		8 = >80	27 = 2700K	10Y = 10 year lifetime		Retail Pack
Technology	8.5 = 8.5 watts 9 = 9 watts 10 = 10 watts	A19 = A19		9 = >90	50 = 5000K			

Ordering Information

Item Number	Ordering Abbreviation	Power (W)	Base Type	Replaces	Input Voltage (V)	Average Life (hrs)	CCT	Typical Lumens (lm)	CRI	Bulb Finish	Case Qty	ENERGY STAR®
41249	LED7.5BR30DIM927LSRP2	7.5	E26	65W	120	25,000	2700K	650	>90	Frosted	6	Yes
41250	LED7.5BR30DIM950LSRP2	7.5	E26	65W	120	25,000	5000K	650	>90	Frosted	6	Yes
41066	LED8.5A19F82710YVLSRP4	8.5	E26	60W	120	11,000	2700K	800	>80	Frosted	12	No
41068	LED8.5A19F85010YVLSRP4	8.5	E26	60W	120	11,000	5000K	800	>80	Frosted	12	No
41067	LED9BR30DIM82710YVLSRP2	9	E26	65W	120	11,000	2700K	650	>80	Frosted	6	No
41070	LED9BR30DIM85010YVLSRP2	9	E26	65W	120	11,000	5000K	650	>80	Frosted	6	No
41247	LED10A19DIM927LSRP4	10	E26	60W	120	15,000	2700K	800	>90	Frosted	12	Yes
41248	LED10A19DIM950LSRP4	10	E26	60W	120	15,000	5000K	800	>90	Frosted	12	Yes

Physical Information

Ordering Abbreviation	(A) Diameter (inches)	(B) Height (inches)
LEDXXA19	2.362	4.4
LEDXXBR30	3.74	5



LEDVANCE LLC
 200 Ballardvale Street
 Wilmington, MA 01887 USA
 Phone 1-800-LIGHTBULB (1-800-544-4828)
 www.ledvanceUS.com

SYLVANIA and LEDVANCE are registered trademarks.
 All other trademarks are those of their respective owners.
 Licensee of product trademark SYLVANIA in general lighting.
 Specifications subject to change without notice.

[/sylvania](#) [/sylvania](#)

