

SYLVANIA Lamps

ValueLED™ High Lumen A-Line Lamp

Application

ValueLED High Lumen A-Line Lamps are ideal for outdoor bollard or post top applications and indoor low bay lighting.

Benefits and Features

- No warm-up time, instant on with full light output and stable color
- Consumes up to 84% less energy than equivalent HID lamps while delivering same light output
- Passive cooling design (higher reliability with no internal fan)
- Rated for open and enclosed fixtures
- Up to 135 LPW
- 3000K, 4000K and 5000K color temperatures
- CRI 80+
- 360° beam angle (or omnidirectional)

Electrical

- 120-277V_{AC}
- Power Factor >90%
- 2kV surge protection
- Non-dimmable

Rated Life

- 17W & 24W: 40,000 hours (L₇₀)
- 32W: 25,000 hours (L₇₀)

Warranty

- Standard 5 year lamp warranty

Ambient Operating Range

- -4°F to 113°F (-20°C to 45°C)



Wattage Comparison

| Traditional Source | Traditional System Wattage | LED System Wattage | Energy Savings | Energy Savings Over Lamp Life |
|--------------------|--------------------------------|--------------------|----------------|-------------------------------|
| HID Metal Halide | 50W HID/ 100W Incandescent | 17W | 83% | \$456 |
| HID Metal Halide | 70W HID/ 150W Incandescent | 24W | 84% | \$693 |
| HID Metal Halide | 100W HID/ 200W Incandescent | 32W | 84% | \$924 |

Certifications and Listings

- ENERGY STAR®
- IP64 Rated
- cULus
- RoHS
- FCC*
- Lead Free
- Mercury Free

*This device complies with Part 15 of the FCC rules. Operation is subject to the following two conditions: (1) this device may not cause harmful interference, and (2) this device must accept any interference received, including interference that may cause undesired operation. Please visit: www.SYLVANIA.com/fccpart15b for more information.

Installation

- Requires easy ballast by-pass
- Lamp operates directly on line voltage, 120-277 V_{AC}



Specification Data

| | |
|-------------|------|
| Catalog # | Type |
| Project | |
| Comments | |
| Prepared by | |

Ordering Guide

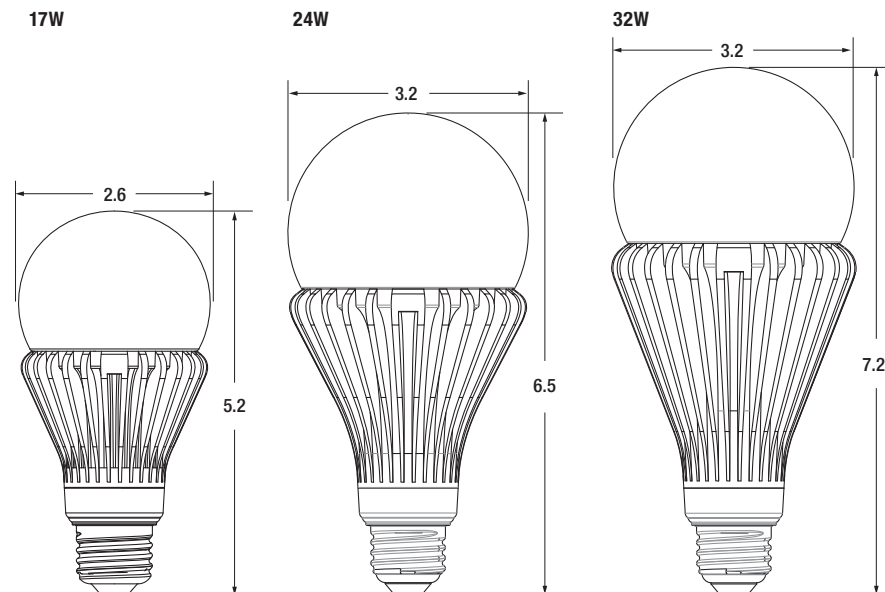
| LED | XX | HIDR | XXX | UNV | 8 | XX | MED |
|-------------------------|--------------------|-----------------|------------------|--------------------|---------|--|-----------------------|
| LED | Wattage | Lamp Type | Lamp Shape | Voltage | CRI | Color Temperature | Base Type |
| LED Lamps and Retrofits | 17, 24 or 32 Watts | HID Replacement | A21, A23 or PS25 | Universal 120-277V | 8 = 80+ | 30 = 3000K 40 = 4000K 50 = 5000K | MED = E26 Medium Base |

Ordering Information

| Item Number | Ordering Abbreviation | Power (W) | Base Type | Replaces | Lamp Shape | Input Voltage (V) | Average Life (hrs) | Typical Lumens (lm) | CCT | CRI | Power Factor | Dimming | Case Qty | ENERGY STAR® | CEC |
|-------------|------------------------|-----------|-------------|----------------------------|------------|-------------------|--------------------|---------------------|-------|-----|--------------|---------|----------|--------------|-----|
| 41033 | LED17HIDRA21UNV830MED | 17 | Medium base | 50W HID/100W Incandescent | A21 | 120-277 | 40,000 | 2040 | 3000K | 80+ | 0.9 | No | 6 | Yes | No |
| 41034 | LED17HIDRA21UNV840MED | 17 | Medium base | 50W HID/100W Incandescent | A21 | 120-277 | 40,000 | 2125 | 4000K | 80+ | 0.9 | No | 6 | Yes | No |
| 41035 | LED17HIDRA21UNV850MED | 17 | Medium base | 50W HID/100W Incandescent | A21 | 120-277 | 40,000 | 2125 | 5000K | 80+ | 0.9 | No | 6 | Yes | No |
| 41036 | LED24HIDRA23UNV830MED | 24 | Medium base | 70W HID/150W Incandescent | A23 | 120-277 | 40,000 | 3000 | 3000K | 80+ | 0.9 | No | 6 | Yes | Yes |
| 41037 | LED24HIDRA23UNV840MED | 24 | Medium base | 70W HID/150W Incandescent | A23 | 120-277 | 40,000 | 3310 | 4000K | 80+ | 0.9 | No | 6 | Yes | Yes |
| 41038 | LED24HIDRA23UNV850MED | 24 | Medium base | 70W HID/150W Incandescent | A23 | 120-277 | 40,000 | 3310 | 5000K | 80+ | 0.9 | No | 6 | Yes | Yes |
| 41039 | LED32HIDRPS25UNV830MED | 32 | Medium base | 100W HID/200W Incandescent | PS25 | 120-277 | 25,000 | 4000 | 3000K | 80+ | 0.9 | No | 6 | Yes | Yes |
| 41040 | LED32HIDRPS25UNV840MED | 32 | Medium base | 100W HID/200W Incandescent | PS25 | 120-277 | 25,000 | 4320 | 4000K | 80+ | 0.9 | No | 6 | Yes | Yes |
| 41041 | LED32HIDRPS25UNV850MED | 32 | Medium base | 100W HID/200W Incandescent | PS25 | 120-277 | 25,000 | 4320 | 5000K | 80+ | 0.9 | No | 6 | Yes | Yes |

Physical Information

| | (A) Height (inches) | (B) Diameter (inches) |
|--------------|---------------------|-----------------------|
| LED HIDR 17W | 5.2 | 2.6 |
| LED HIDR 24W | 6.5 | 3.2 |
| LED HIDR 32W | 7.2 | 3.2 |




Dimensions in inches

Additional Specifications

- Verify fixture size before installation to ensure fit
- Cannot be used with dimmers
- Not suited for outdoor fixtures with air vents
- Should not be directly exposed to water

LEDVANCE LLC
200 Ballardvale Street
Wilmington, MA 01887 USA
Phone 1-800-LIGHTBULB (1-800-544-4828)
www.sylvania.com

SYLVANIA and LEDVANCE are registered trademarks.
All other trademarks are those of their respective owners.
Licensee of product trademark SYLVANIA in general lighting.
Specifications subject to change without notice.

 /sylvania  /sylvania

