

SYLVANIA Lamps

Natural™ Series Reflector Family

TruWave Technology™

TruWave Technology offers the best alternative to natural light by mimicking the natural light spectrum, all while saving energy.

Benefits and Features

- Controls blue wavelengths for lower glare and reduced eye strain to improve readability and supports an improved sleep-wake cycle
- Perfect fit where clean light color rendering is needed for seeing realistic, vivid colors without sacrificing light output
- Properly saturates red to make building spaces and flesh tones accurate and vibrant, without oversaturating which compromises energy efficiencies
- Exceptional color quality without the loss of efficacy typical of most 90+ CRI solutions
- Up to 92 LPW
- 2700K, 3000K and 5000K color temperatures (4100K also in BR30)
- CRI 90+
- Available beam angle: 110°

Electrical

- 120V_{AC}
- Power factor >0.90
- Dimmable down to 10%

Rated Life

- 15,000 hours (L₇₀)

Warranty

- 5 year limited lamp warranty (3 hours per day operation)

Ambient Operating Range

- -4°F to 104°F (-20°C to 40°C)



Wattage Comparison

Traditional Source	Traditional System Wattage	LED System Wattage	Energy Savings
45R20 Incandescent	45	5	\$74.25
65R20 Incandescent	65	7	\$95.70
85R20 Incandescent	85	12	\$120.45

Certifications and Listings

- cULus
- RoHS
- ENERGY STAR®
- California Title 20 Certified



Specification Data

Catalog #	Type
Project	
Comments	
Prepared by	

Ordering Guide

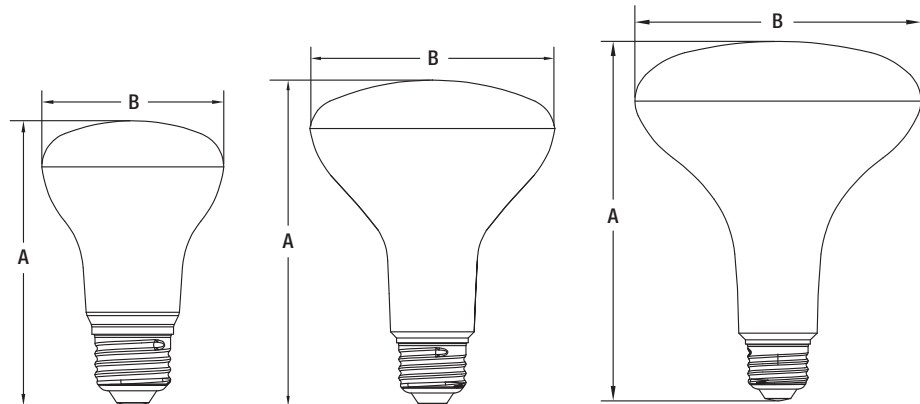
LED	XX	XRXX	DIM	9	XX	TL	RP2
LED	Wattage 5 = 5 Watts 7 = 7 Watts 12 = 12 Watts	Lamp Type R20 = R20 BR30 = BR30 BR40 = BR40	DIM = Dimmable	CRI 9 = 90+	Color Temperature 27 = 2700K 30 = 3000K 50 = 5000K	TL = Natural with TruWave Technology™	RP2 = 2PK Retail

Ordering Information

Item Number	Ordering Abbreviation	Power (W)	Lumens	Base	Replaces	Input Voltage	Average Rated Life (hrs)	CCT	CRI	ENERGY STAR®
40788	LED5R20DIM927TLRP2 12/CS 2/SKU	5	450	E26 Medium	45W R20	120V	15,000	2700K	90+	Yes
40789	LED5R20DIM930TLRP2 12/CS 2/SKU	5	450	E26 Medium	45W R20	120V	15,000	3000K	90+	Yes
40790	LED5R20DIM950TLRP2 12/CS 2/SKU	5	450	E26 Medium	45W R20	120V	15,000	5000K	90+	Yes
40728	LED7BR30DIM927TLRP2 12/CS 2/SKU	7	650	E26 Medium	65W BR30	120V	15,000	2700K	90+	Yes
40831	LED7BR30DIM930TLRP2 2/CS 2/SKU	7	650	E26 Medium	65W BR30	120V	15,000	3000K	90+	Yes
40832	LED7BR30DIM940TLRP2 2/CS 2/SKU	7	650	E26 Medium	65W BR30	120V	15,000	4000K	90+	Yes
40730	LED7BR30DIM950TLRP2 2/CS 2/SKU	7	650	E26 Medium	65W BR30	120V	15,000	5000K	90+	Yes
40785	LED12BR40DIM927TLRP2 2/CS 2/SKU	12	1100	E26 Medium	85W BR40	120V	15,000	2700K	90+	Yes
40786	LED12BR40DIM930TLRP2 2/CS 2/SKU	12	1100	E26 Medium	85W BR40	120V	15,000	3000K	90+	Yes
40787	LED12BR40DIM950TLRP2 2/CS 2/SKU	12	1100	E26 Medium	85W BR40	120V	15,000	5000K	90+	Yes

Physical Information

	(A) MOL inches (mm)	(B) Diameter inches (mm)
R20	3.90 (99)	2.48 (63)
BR30	5 (127)	3.74 (95)
BR40	6.14 (156)	4.88 (124)



Color Quality Comparison

CCT	Spectral Power Distribution	TM-30-18 Fidelity Index
2700K	<p> — TruWave Technology™ — Typical CRI80 - - Black Body 2700K — Unnatural Blue Light Peak </p>	<p> TruWave™ LED – Optimized Color Fidelity $R_f=85$ </p>
3000K	<p> — TruWave Technology™ — LED Tube, CRI80 - - Black Body 3000K </p>	<p> TruWave™ LED – Optimized Color Fidelity $R_f=84$ </p>
4000K	<p> — TruWave Technology™ — LED Tube, CRI80 - - Black Body 4100K — Unnatural Blue Light Peak </p>	<p> TruWave™ LED – Optimized Color Fidelity $R_f=85$ </p>
5000K	<p> — TruWave Technology™ — Typical CRI80 - - Natural Light (D50) — Unnatural Blue Light Peak </p>	<p> TruWave™ LED – Optimized Color Fidelity $R_f=86$ </p>

LEDVANCE LLC
200 Ballardvale Street
Wilmington, MA 01887 USA
Phone 1-800-LIGHTBULB (1-800-544-4828)
www.sylvania.com

SYLVANIA and LEDVANCE are registered trademarks.
All other trademarks are those of their respective owners.
Licensee of product trademark SYLVANIA in general lighting.
Specifications subject to change without notice.

 /sylvania  /sylvania

