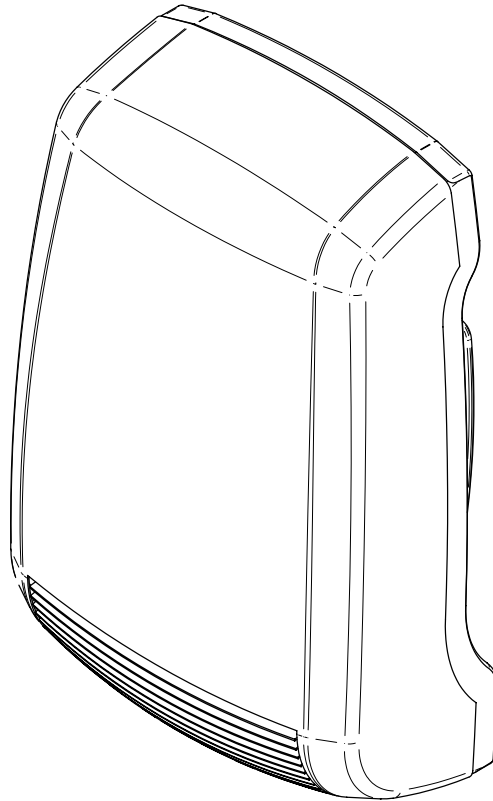


# USER'S GUIDE

## SILBH2060 SERIES

# BATHROOM FORCED AIR HEATER

REPLACEMENT COMPONENT LIST INCLUDED



This unit complies with CSA standards



## WARNING

## IMPORTANT INSTRUCTIONS

Before installing and operating this product, the user and/or installer must read, understand and follow these instructions and keep them handy for future reference. If these instructions are not followed, the warranty will be considered null and void and the manufacturer deems no further responsibility for this product.

This product must be installed by a qualified person and connected by a **certified electrician**, according to the **electrical and building codes** effective in your region.

The following instructions must be adhered to in order to avoid personal injuries or property damages, serious injuries and potentially fatal electric shocks.

Protect the heating unit with the appropriate circuit breaker or fuse, in accordance with the nameplate.

Make sure the line voltage (volt) is consistent with that indicated on the unit's nameplate.

This unit must be **grounded**.

Switch off the power at the circuit breaker/fuse before installing, repairing and cleaning the unit.

Make sure the unit is appropriate for the intended use (if needed, refer to the product catalog or a representative). Use this heater only as described in this manual. Any other use not recommended by the manufacturer may cause fire, electric shock, or injury to persons. Do not use outdoors.

### RECOMMENDED HEATING CAPACITY: 1.25 W/cubic foot (0.03 m<sup>3</sup>)

It corresponds to **10 W/square foot (0.09 m<sup>2</sup>)** based on a standard ceiling height of **8 feet (2.44 m)**. The recommended capacity is usually sufficient for normal heating needs. Please note that the insulation quality of walls and windows are some of the factors that influence heat losses, which modify the required capacity to heat a room. If needed, refer to a specialist (industrial and commercial buildings) who will be able to calculate these heat losses and optimize the required capacity or consult the "Online heating calculation" section of the Stelpro Design Web site (residential buildings). To heat a large room and to increase your comfort, it is recommended to install several units instead of one. For example, 2 X 1000 W rather than 1 X 2000 W.

Do not install the unit where objects or pieces of furniture could be heat damaged.

If the unit capacity is insufficient for the size of the room, it will be in operation continuously, and may become defective earlier and turn yellow.

**Respect distances and positions** indicated in the installation section.

If the installer or the user modifies the unit, he will be held responsible for any damage resulting from this modification, and the CSA certification could be void.

This unit must not come into contact with a water source and must be protected from splashes. Do not use it if any part has been immersed.

When mounting the unit, make sure that the anchorage used can support the total weight of the unit with the mounting brackets.

# SPECIFICATIONS



## WARNING

## IMPORTANT INSTRUCTIONS (CON'T)

When cutting or drilling into a wall or a ceiling, do not damage electrical wiring and other hidden utilities.

When starting up the unit for the first time or after a long period, it is normal that it produces some temporary odours and whitish smoke.

Because this unit is hot when in use, it may pose risks even in normal operation. Therefore, be **careful** and **responsible** when using it. To avoid burns, do not let bare skin touch hot surfaces. The unit must cool down for few minutes since it will stay warm for some time after shut-down. Extreme caution is necessary when any heater is used by or near children or invalids and whenever the heater is left operating and unattended.

**CAUTION** – High temperature, risk of fire, keep electrical cords, drapery, furnishings, and other combustibles at least 3 feet (0.9 m) from the front of the heater and away from the side and rear.

Never block air vents (with objects or other items). You risk damaging the heater and the obstruction could lead to electric shock or overheating, which could result in a fire.

Do not insert or allow foreign objects to enter any air vent as this may cause electric shocks, fires, or damages to the unit.

This unit has hot and arcing or sparking parts inside. It is not designed to be used or stored in wet areas or areas containing flammable liquids, combustible materials or corrosive, abrasive, chemical, explosive and flammable substances such as, but not limited to, gasoline, paint, chlorine, sawdust and cleaning products.

Some areas are dustier than others. Thus, it is the user's responsibility to evaluate if the unit **must be cleaned** based on the amount of dirt accumulated on and inside air vents. Accumulated dirt can lead to a component malfunction or discoloration (yellow). It may cause a fire hazard if not installed and maintained in accordance with these instructions.

The thermal protection activation indicates that the unit has been subjected to abnormal operating conditions. If the thermal protection remains activated or activates and deactivates repeatedly, it is recommended that a qualified electrician or a certified repair centre examine the unit in order to make sure it is not damaged. (Refer to the LIMITED WARRANTY)

Before unplugging the unit, all controls must be in the "OFF" position and the current from the main breaker panel should be cut. (The general switch may be used also, if included.) If the unit is damaged or defective, discontinue use, cut off power supply at circuit breaker and contact a certified electrician or certified repair centre. (Refer to the limited warranty)

Make sure that all the electrical connections have been secured and made properly. Pull each wire to ensure it is not loose in the connector or the terminal board as this may cause a fire.

If an option must be added, make sure it has been approved by Stelpro. This way, it will ensure that it has been tested in accordance with our safety rules and that an appropriate installation has been planned into the unit.

## SAVE THESE INSTRUCTIONS

**Note:** When a part of the product specification must be changed to improve operability or other functions, priority is given to the product specification itself. In such instances, the instruction manual may not entirely match all the functions of the actual product. Therefore, the actual product and packaging, as well as the name and illustration, may differ from the manual.

## SPECIFICATIONS

### BATHROOM FORCED AIR HEATER

VOLTS	240/208 V
WATTS	1200/2000 W
AMPERES	8.3 A
WEIGHT	7.5 lb / 3.4 kg
DEPTH	5 1/2" / 140 mm
WIDTH	10 5/8" / 270 mm
HEIGHT	16 1/2" / 420 mm

### IMPORTANT NOTES :

This unit must be permanently secured to one of the bathroom walls and must only be used to heat the room where it is installed.

Make sure the main power supply complies with the rating plate: 240/208 V AC, 60/50 Hz.

Never let children play with the unit. Caution! When the unit is on, the air outlet grille can reach very high temperatures (more than 80 °C).

Never use this unit within arm's reach while in the shower, the bathtub or near a sink.

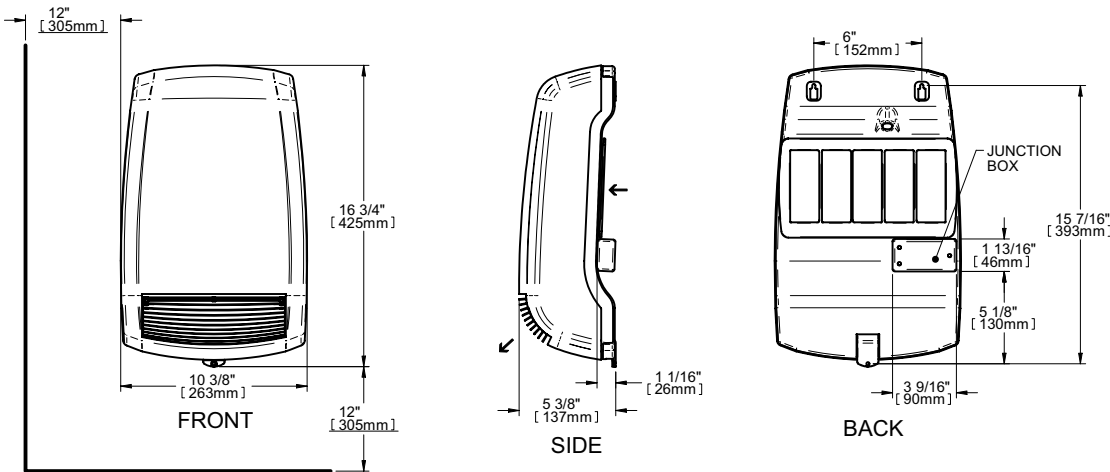
Position the unit so the plug is easy to reach.

Never secure the unit to walls made of synthetic materials.

Only use the fan heater as a wall fitment and in the vertical position.

# TECHNICAL DRAWINGS AND INSTALLATION

## TECHNICAL DRAWINGS



## INSTALLATION

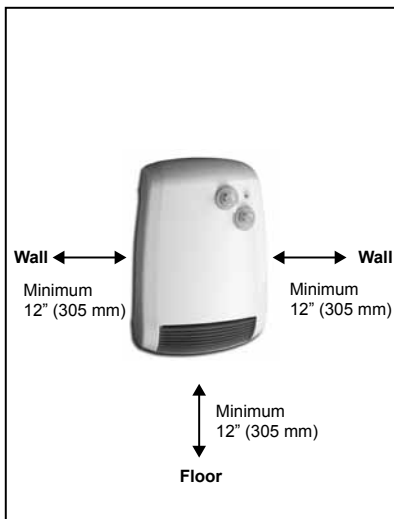
**N.B. Cut off power supply at circuit breaker/fuse before proceeding to the installation and wiring connections. This product must be connected by a certified electrician, according to the electrical and building codes effective in your region. Consult the wiring plan found on the unit.**

**To reduce the risk of fire, do not store or use gasoline or other flammable vapors and liquids in the vicinity of the heater. Do not mount in contact with combustible material. Do not mount in close proximity to another unit.**

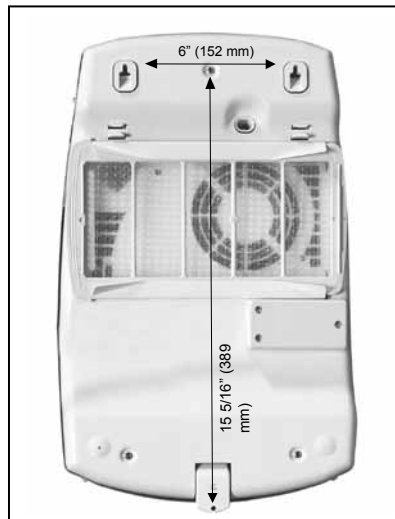
Keep the front and upper sides of the unit at least 3 feet (91 cm) from any adjacent surfaces. Moreover, make sure objects or pieces of furniture such as, but not limited to, blankets, towels, beds, laundry baskets, clothing, papers, electric wires and other flammable items, do not come into contact with the unit and keep them at least 3 feet (91 cm) from the unit. Failure to comply with this warning could lead to a fire. Some materials are more heat-sensitive than others, so make sure those near the unit can withstand heat.

- The unit must be secured to a wall, 12 in (305 mm) away from the floor and adjacent walls (Ill. 01).
- **The unit cannot be covered or hidden by a door.**
- Drill three holes with a diameter slightly smaller than the one for the plastic pins provided.
- Insert the pins.
- Insert the two top screws provided, leaving a gap of 5/16 in (8 mm) between the screw head and the wall (Ill. 02).
- Hang the unit on the two installed screws while holding it securely in your hands;
- **CAUTION! Before letting go of the unit, check that it is securely hung on the two screws.**
- Secure the unit with the third screw at the bottom (Ill. 02).

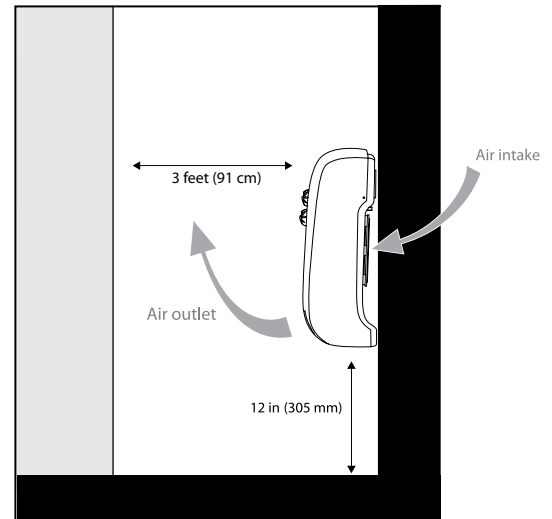
The illustration 03 on the right indicates the airflow generated by the heater. This air corridor must remain clear in order to allow good air circulation and to ensure that the unit operates efficiently. Leave **at least 3 feet (91 cm) in front of the unit.** Do not install the heater below an electrical convenience outlet.



ILL. 01



ILL. 02



ILL. 03

# INSTALLATION AND OPERATION

## ELECTRICAL CONNECTION



**N.B. Cut off power supply at circuit breaker/fuse before proceeding to the installation and wiring connections. This product must be connected by a certified electrician, according to the electrical and building codes effective in your region.**

- Make the electrical connections inside the junction box located at the back of the unit (Ill.04).
- Installation of this product must be made in accordance with all national and local building codes.
- The electrical connections must be made with a 12-gauge 2-conductor wire complete with ground.



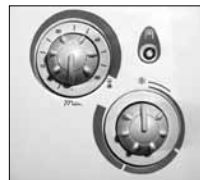
ILL. 04

## OPERATION

**Warning: the heater must be properly installed before it is used.**

The fan heater has two knobs, one for the 60-minute timer and one for the thermostat.

**The unit has two operating modes.**



## ROOM WARM-UP WITH TEMPERATURE CONTROL

From the position marked « \* » , turn the thermostat knob clockwise until a clicking noise is heard; the unit is turned on at a power of 1200 W and the pilot light turns on. The thermostat maintains the required room temperature by automatically turning on and off the fan heater. The more you turn the knob clockwise, the higher the constant temperature will be. The thermostat maximum setting is about 35 °C and the minimum setting « \* » is about 5 °C.

### **Setting thermostat :**

With a room temperature above 35 °C, it is normal for the thermostat to not turn on the fan heater, even at the maximum setting.

With a room temperature too low (under 5 °C), it is normal for the thermostat to maintain the unit on, even at the minimum setting.

### **To optimize thermostat usage:**

- Set the thermostat to the maximum setting and operate the unit until a comfortable temperature is reached ;
- Then, turn the thermostat knob counter-clockwise until a click is heard (the unit is turned off);
- Slightly turn (just a little) the thermostat knob clockwise;
- At this setting, the thermostat maintains the chosen room temperature.

## QUICK ROOM WARM-UP

With the room temperature set at the required level, turn the timer knob to select the required operating time. The unit operates at 2000 W for the set time to quickly heat the room and then maintains the room temperature set by the thermostat at a power of 1200 W.

## SAFETY IN CASE OF ABNORMAL OPERATION

In the event the unit overheats, the built-in protection system automatically deactivates the heating elements and the motor, effectively stopping the fan heater operation. In this case, the unit is inactive, but the warning lamp is on.

### **Procedures to be followed :**

- Turn off the fan heater and let it cool for about 15-20 minutes. It is imperative to set the thermostat and the timer to the "OFF" position in order to re-start it;
- Check if the dust filter is blocked and if so, clean and reinstall it;
- Turn the fan heater on again and check for proper operation. If you cannot get your unit to work, bring it back where you purchased it or have it verified by a certified electrician.

# MAINTENANCE

## MAINTENANCE/FILTER

All other repairs and maintenance other than those described in this guide should be performed by qualified service personnel. In order for the warranty to be valid, the unit must be cleaned regularly. Cut off power supply at circuit breaker/fuse and wait for the unit to cool down before cleaning.

- Your unit has a filter protecting the heating elements against dust and dirt.
- The filter can be removed and inserted from the right or the left side.
- For optimal operation, we recommend cleaning the filter once every 2 months and making sure to reinstall it on the unit.



Regularly vacuum the front grille to remove the dust. Accumulated dust and lint at the air outlet can reduce the unit's performance and even damage it. To clean the unit, use a slightly damp cloth. Note that cigarette smoke can cause unit fading, despite the cleaning.

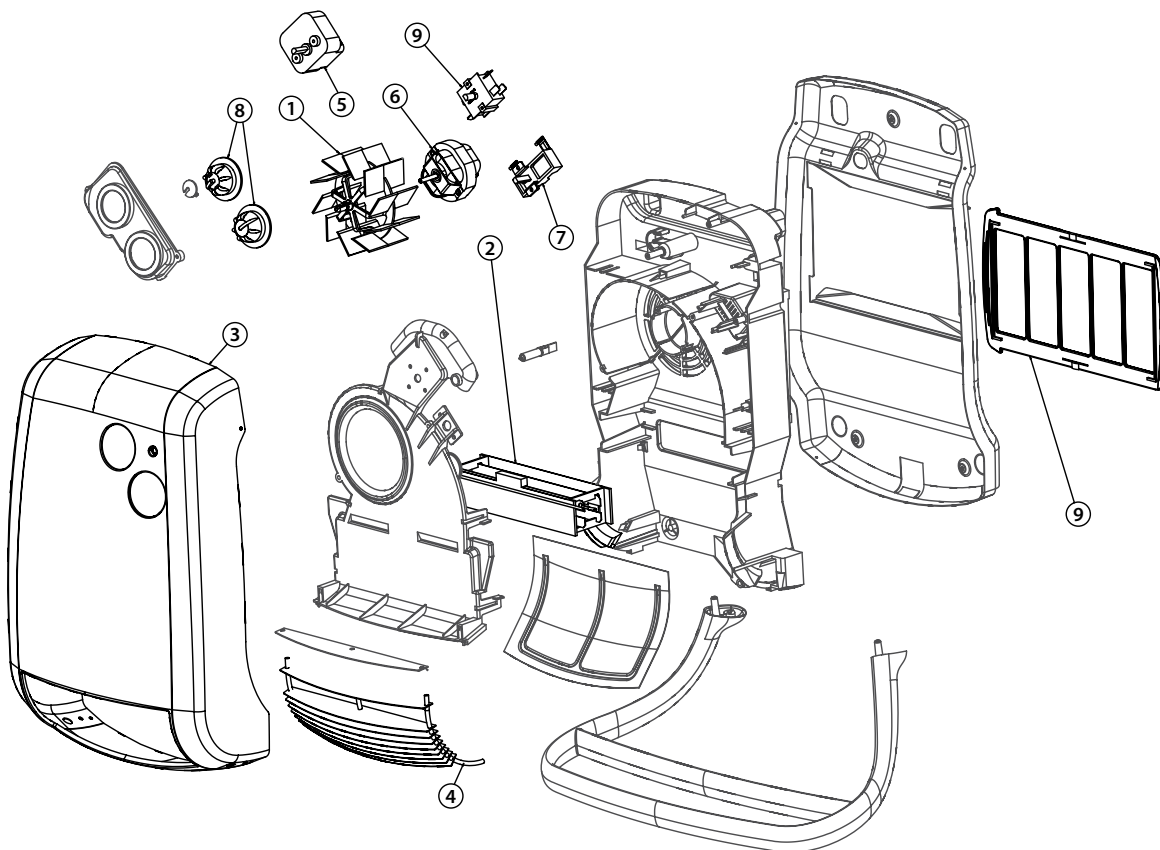
Do not use cleaning products identified with these symbols:



**N.B.** There is electrical current linked to the unit even if the thermostat is set to "OFF". This means that there is a risk of electric shock as long as the unit is energized.

## REPLACEMENT COMPONENT LIST

REF. #	PART #	DESCRIPTION
1	BLO-SILBH2060	BLOWER WHEEL
2	ELF-SILBH2060	ELEMENT WITH PROTECTION AND FUSE LINK
3	COV-SILBH2060	FRONT COVER
4	GRI-SILBH2060	BOTTOM GRILL ONLY
5	TIM-SILBH2060	60-MINUTE TIMER
6	MO-SILBH2060	MOTOR
7	ST-SILBH2060	THERMOSTAT
8	BOUT-SILBH2060	KNOB
9	FIL-SILBH2060	BACK FILTER



# LIMITED WARRANTY

This limited warranty is offered by Stelpro Design inc. ("Stelpro") and applies to the following products made by Stelpro: SILBH2060 models. **Please read this limited warranty carefully. Subject to the terms of this warranty**, Stelpro warrants its products and their components against defects in workmanship and/or materials for the following periods from the date of purchase: **5 years (3 years on electronic components)**. This warranty applies only to the original purchaser; it is non-transferable and cannot be extended.

## CLAIM PROCEDURE

If at any time during the warranty period the unit becomes defective, you must cut off the power supply at the main electrical panel and contact 1) your installer or distributor, 2) your service center or 3) Stelpro's customer service department. In all cases, you must have a **copy of the invoice** and provide the **information written on the product nameplate**. Stelpro reserves the right to examine or to ask one of its representatives to examine the product itself or any part of it before honoring the warranty. Stelpro reserves the right to **replace** the entire unit, **refund** its purchase price or **repair** a defective part. Please note that repairs made within the warranty period must be authorized in advance in writing by Stelpro and carried out by persons authorized by Stelpro.

Before returning a product to Stelpro, you must have a Stelpro authorization number (RMA). To obtain it, call the customer service department at: **1-800-363-3414** (electricians and distributors - French), **1-800-343-1022** (electricians and distributors - English), or **1-866-766-6020** (consumers). The authorization number must be clearly written on the parcel or it will be refused.

## CONDITIONS, EXCLUSIONS AND DISCLAIMER OF LIABILITY

This warranty is exclusive and in lieu of all other representations and warranties (except of title), expressed or implied, and Stelpro expressly disclaims and excludes any implied warranty of merchantability or implied warranty of fitness for a particular purpose.

Stelpro's liability with respect to products is limited as provided above. Stelpro shall not be subject to any other obligations or liabilities whatsoever, whether based on contract, tort or other theories of law, with respect to goods or services furnished by it, or any undertakings, acts or omissions relating thereto. Without limiting the generality of the foregoing, Stelpro expressly disclaims any liability for property or personal injury damages, penalties, special or punitive damages, damages for lost profits, loss of use of equipment, cost of capital, cost of substitute products, facilities or services, shutdowns, slowdowns, or for other types of economic loss or for claims of a dealer's customers or any third party for such damages. Stelpro specifically disclaims all consequential, incidental and contingent damages whatsoever.

This warranty does not cover any damages or failures resulting from: 1) a faulty installation or improper storage; 2) an abusive or abnormal use, lack of maintenance, improper maintenance (other than that prescribed by Stelpro) or a use other than that for which the unit was designed; 3) a natural disaster or an event out of Stelpro's control, including, but not limited to, hurricanes, tornadoes, earthquakes, terrorist attacks, wars, overvoltage, flooding, water damages, etc. This warranty does not cover any accidental or intentional losses or damages nor does it cover damages caused by negligence of the user or owner of the product. Moreover, it does not cover the cost of disconnection, transport, and installation.

The warranty is limited to the repair or the replacement of the unit or the refund of its purchase price, **at the discretion of Stelpro**. Any parts replaced or repaired within the warranty period with the written authorization of Stelpro will be warranted for the remainder of the original warranty period. This warranty will be considered null and void and Stelpro will have the right to refuse any claims if **products have been altered** without the written authorization of Stelpro and if the nameplate numbers have been removed or modified. This warranty does not cover scratches, dents, corrosion or discoloration caused by excessive heat, chemical cleaning products and abrasive agents. It does not cover any damage that occurred during the shipping.

Some states and provinces do not allow the exclusion or limitation of incidental or consequential damages and some of them do not allow limitations on how long an implied warranty lasts, so these exclusions or limitations may not apply to you. This warranty gives you specific legal rights and you may have other rights which vary from state to state or from province to province.