

SCV

VENTILATION CABINET



THE SWISS ARMY KNIFE OF VENTILATION

Stelpro innovates once again with its new SCV ventilation cabinet for residential and commercial use. The Stelpro SCV ventilation cabinet is available in four practical formats with a variety of controls to meet the requirements of all types of installations. Combined with one of our SDHx coils, we get a custom-made furnace. Its flexibility, versatility and optimized controls make it the Swiss Army knife of ventilation.

WIDE VARIETY OF AIRFLOWS

400 CFM TO 2200 CFM

WIDE VARIETY OF CONTROLS FOR ALL TYPES OF INSTALLATIONS

QUICK AND EASY INSTALLATION

MULTIPOSITION INSTALLATION

COLOUR

- charcoal

FINISH

- powder paint

MANUFACTURING

- robust galvanized steel housing
- easy access to all components

MOTOR

- capacitor fan motor or ECM motor sealed and lubricated for life

CONTROL

- four types: low voltage, built-in, remote or without control
- user friendly digital interface (remote model only)

INSTALLATION

- multipe positions (vertical ascending, vertical descending, horizontal)
- direct installation on walls ("zero inch" clearance)
- can be suspended from ceiling
- voltage 120 V, 208 V or 240 V

WARRANTY

- five years, *three years on electronic components



REMOTE CONTROL (ECM MODEL)

PRODUCT NUMBER LEGEND

SCV-E-14 0 2

PRODUCT SERIES: Stelpro Cabinet Ventilation

MOTOR: P = PSC; E = ECM

CFM x 100

TYPE OF CONTROL: 0 = WITHOUT CONTROL; 1 = BUILT-IN; 2 = REMOTE 4 FT*; 3 = REMOTE 10 FT*; 4 = LOW VOLTAGE CONTROL

VOLTAGE: 1 = 120 V - 2 = 240/208 V

* OPTIONS 2 AND 3 ARE AVAILABLE ONLY WITH SPEED OF 1400 AND 2200 CFM

°STELPRO

Stelpro reserves the right to modify descriptions, manufacturing specifications or prices without prior notice. Returns are not accepted for orders of products with optional colours. For all the latest models and prices, please refer to our website at www.stelpro.com.



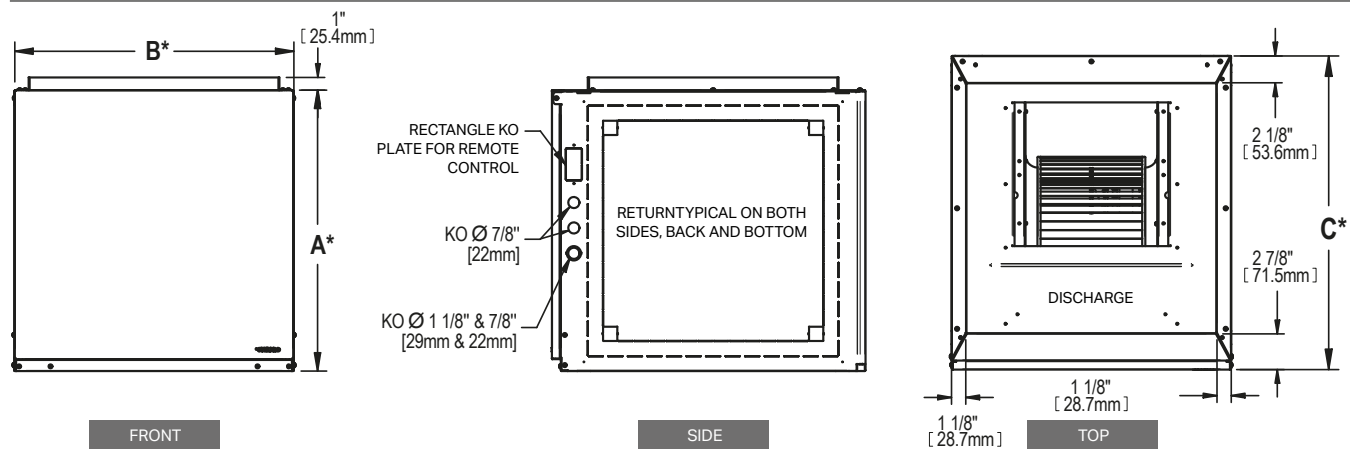
FC_SCV_EN_211222

TECHNICAL SPECIFICATIONS

PRODUCT	VOLTAGE	AMPERAGE	SPEED		HEIGHT (A)	WIDTH (B)	DEPTH (C)	WEIGHT	
CODE	VOLTS	AMPERES	HP	CFM	IN.	IN.	IN.	LB	KG
SCV-P-401	120	4.6	1/3	400	18	14	20 3/4	40	18.2
SCV-P-441	120	4.6	1/3	400	18	14	20 3/4	40	18.2
SCV-P-442	240/208	2.2/2.3	1/3	400	18	14	20 3/4	40	18.2
SCV-P-411	120	4.6	1/3	400	18	14	20 3/4	40	18.2
SCV-P-412	240/208	2.2/2.3	1/3	400	18	14	20 3/4	40	18.2
SCV-P-601	120	4.6	1/3	600	18	14	20 3/4	40	18.2
SCV-P-641	120	4.6	1/3	600	18	14	20 3/4	40	18.2
SCV-P-642	240/208	2.2/2.3	1/3	600	18	14	20 3/4	40	18.2
SCV-P-611	120	4.6	1/3	600	18	14	20 3/4	40	18.2
SCV-P-612	240/208	2.2/2.3	1/3	600	18	14	20 3/4	40	18.2
SCV-P-841	120	4.6	1/3	800	20	18	22 3/4	50	22.7
SCV-P-811	120	2.2/2.3	1/3	800	20	18	22 3/4	50	22.7
SCV-P-812	240/208	4.6	1/3	800	20	18	22 3/4	50	22.7
SCV-P-1041	120	4.6	1/3	1000	20	18	22 3/4	50	22.7
SCV-P-1011	120	2.2/2.3	1/3	1000	20	18	22 3/4	50	22.7
SCV-P-1012	240/208	4.6	1/3	1000	20	18	22 3/4	50	22.7
SCV-P-1401	120	7.4	1/2	1400	22	22	24 3/4	60	27.3
SCV-P-1402	240/208	3.3/3.4	1/2	1400	22	22	24 3/4	60	27.3
SCV-P-1411	120	7.4	1/2	1400	22	22	24 3/4	60	27.3
SCV-P-1412	240/208	3.3/3.4	1/2	1400	22	22	24 3/4	60	27.3
SCV-P-2202	240/208	5.1/5.2	1	2200	26	26	28 3/4	80	36.4
SCV-P-2212	240/208	5.1/5.2	1	2200	26	26	28 3/4	80	36.4
SCV-E-611*	120	5.8	1/2	300 to 600	18	14	20 3/4	40	18.2
SCV-E-612*	240/208	3.9/4.0	1/2	300 to 600	18	14	20 3/4	40	18.2
SCV-E-1011*	120	5.8	1/2	300 to 1000	20	18	22 3/4	50	22.7
SCV-E-1012*	240/208	3.9/4.0	1/2	300 to 1000	20	18	22 3/4	50	22.7
SCV-E-1411*	120	5.8	1/2	300 to 1400	22	22	24 3/4	60	27.3
SCV-E-1412*	240/208	3.9/4.0	1/2	300 to 1400	22	22	24 3/4	60	27.3
SCV-E-1421*	120	5.8	1/2	300 to 1400	22	22	24 3/4	60	27.3
SCV-E-1422*	240/208	3.9/4.0	1/2	300 to 1400	22	22	24 3/4	60	27.3
SCV-E-1431*	120	5.8	1/2	300 to 1400	22	22	24 3/4	60	27.3
SCV-E-1432*	240/208	3.9/4.0	1/2	300 to 1400	22	22	24 3/4	60	27.3
SCV-E-2211*	120	11.1	1	400 to 2200	26	26	28 3/4	80	36.4
SCV-E-2212*	240/208	7.3/7.4	1	400 to 2200	26	26	28 3/4	80	36.4
SCV-E-2221*	120	11.1	1	400 to 2200	26	26	28 3/4	80	36.4
SCV-E-2222*	240/208	7.3/7.4	1	400 to 2200	26	26	28 3/4	80	36.4
SCV-E-2231*	120	11.1	1	400 to 2200	26	26	28 3/4	80	36.4
SCV-E-2232*	240/208	7.3/7.4	1	400 to 2200	26	26	28 3/4	80	36.4

* CFM adjustable with potentiometer. Maximum CFM measured at 0.5" H₂O of static pressure
 Custom model available – contact your representative. For model SCV-E at 800 CFM, order a SCV-E-10XX. For model SCV-E at 400 CFM, order a SCV-E-6XX.

TECHNICAL DRAWINGS



*Measurements indicated in the table above.

Stelpro reserves the right to modify descriptions, manufacturing specifications or prices without prior notice. Returns are not accepted for orders of products with optional colours. For all the latest models and prices, please refer to our website at www.stelpro.com.