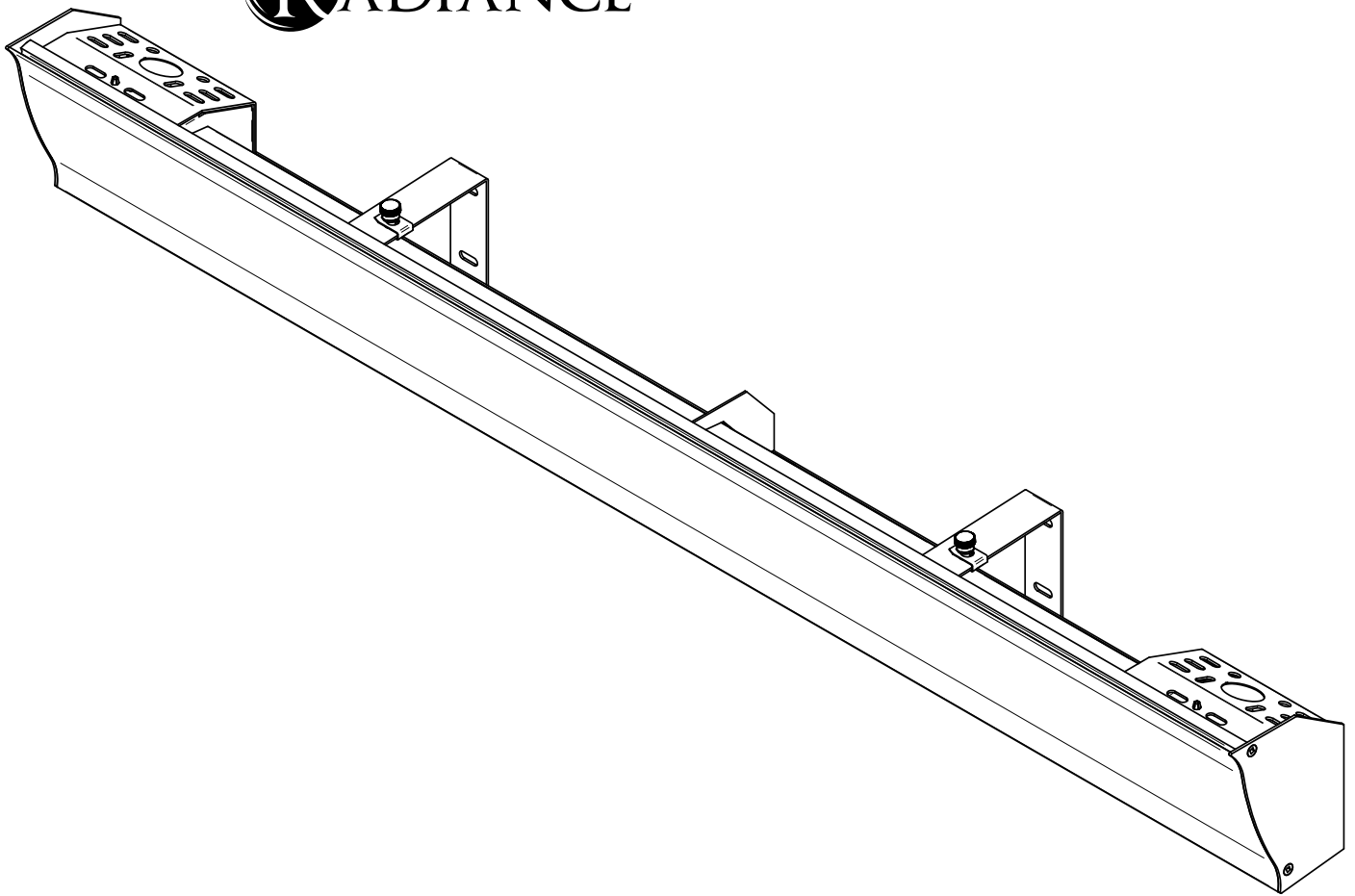




# USER'S GUIDE

## SCR SERIES COVE HEATER



This unit  
complies with  
the CSA and  
UL standards



## WARNING

# IMPORTANT INSTRUCTIONS

Before installing and operating this product, the user and/or installer must read, understand and follow these instructions and keep them handy for future reference. If these instructions are not followed, the warranty will be considered null and void and the manufacturer deems no further responsibility for this product.

This product must be installed by a qualified person and connected by a **certified electrician**, according to the **electrical and building codes** effective in your region.

The following instructions must be adhered to in order to avoid personal injuries or property damages, serious injuries and potentially fatal electric shocks.

Protect the heating unit with the appropriate circuit breaker or fuse, in accordance with the nameplate.

Make sure the line voltage (volt) is consistent with that indicated on the unit's nameplate.

This unit must be **grounded**.

Switch off the power at the circuit breaker/fuse before installing, repairing and cleaning the unit.

Make sure the unit is appropriate for the intended use (if needed, refer to the product catalog or a representative).

### **RECOMMENDED HEATING CAPACITY: 1.25 W/cubic foot (0.03 m<sup>3</sup>)**

Corresponds to **10 W/square foot (0.09 m<sup>2</sup>)** based on a standard ceiling height of 8 feet (2.44 m). The recommended capacity is usually sufficient for normal heating needs. Please note that the insulation quality of walls and windows are some of the factors that influence heat loss, which can modify the required capacity to heat a room. If needed, refer to a specialist who will be able to calculate heat loss and optimize the required capacity or consult the "ONLINE HEATING CALCULATION" section of the Stelpro web site (residential buildings). To heat a large room and increase your comfort, it is recommended to install several units instead of one. For example: 2 X 750 W rather than 1 X 1500 W.

Do not install the unit where objects or pieces of furniture could be damaged by heat.

If the unit's capacity is insufficient for the size of the room, it will be in operation continuously, and may become prematurely defective and turn yellow.

This unit provides heat by both radiant and natural convection methods, and requires care during its installation in order to prevent a fire.

**Respect distances and positions** indicated in the installation section. In addition, consider the following warnings:

- Do not install the unit where objects or pieces of furniture could be damaged by heat.
- Do not recess or embed the heater into a wall or partition.
- Do not install the heater on a carpet or vinyl covered wall.
- The heater is to be installed in a horizontal position only.
- Use only the supplied wall brackets to fix it to the wall.
- Do not paint the heater.

If the installer or user modifies the unit, they will be held responsible for any damage resulting from this modification, and the UL certification will be void.

This unit must not come into contact with a water source and must be protected from splashes. Do not use it if any part has been immersed.

When cutting or drilling into a wall, be careful not to damage electrical wiring and other hidden utilities.

When starting up the unit for the first time or after a long period, it is normal that it produces some temporary odours and whitish smoke.

Because this unit is hot when in use, it may pose risks even in normal operation. Therefore, be **careful** and **responsible** when using it. To avoid burns, do not let bare skin touch hot surfaces. Let the unit cool down for few minutes before handling (it will stay warm for some time after shut-down).

Keep the front of the unit at least **6 inches (15 cm)** from any adjacent surfaces or from any combustible materials. Moreover, make sure objects or textiles such as, but not limited to, draperies, blankets, towels, clothing, paper, wood, vinyl moldings, etc., do not come into contact with the unit and keep them at least **6 inches (15 cm)** from the unit. Failure to comply with this warning could lead to a fire. Some materials are more heat-sensitive than others, so make sure those near the unit can withstand heat.

Never block air vents. This obstruction could lead to overheating, which could result in a fire.

Do not insert or allow foreign objects to enter the air vent as this may cause electric shock, a fire, or damage to the unit.

This unit has hot and arcing or sparking parts inside. It is not designed to be used or stored in wet areas or areas containing flammable liquids, combustible materials or corrosive, abrasive, chemical, explosive and flammable substances such as, but not limited to, gasoline, paint, chlorine, sawdust and cleaning products.

Some areas are dustier than others. Thus, it is the user's responsibility to evaluate if the unit must be cleaned based on the amount of dirt accumulated on and inside air vents. Accumulated dirt can lead to a component malfunction or give a yellowish color to the unit. Failure to install and maintain the unit in accordance with these instructions poses a fire hazard.

If the unit is damaged or defective, cut off power supply at circuit breaker and call a certified repair centre. (Refer to the LIMITED WARRANTY)

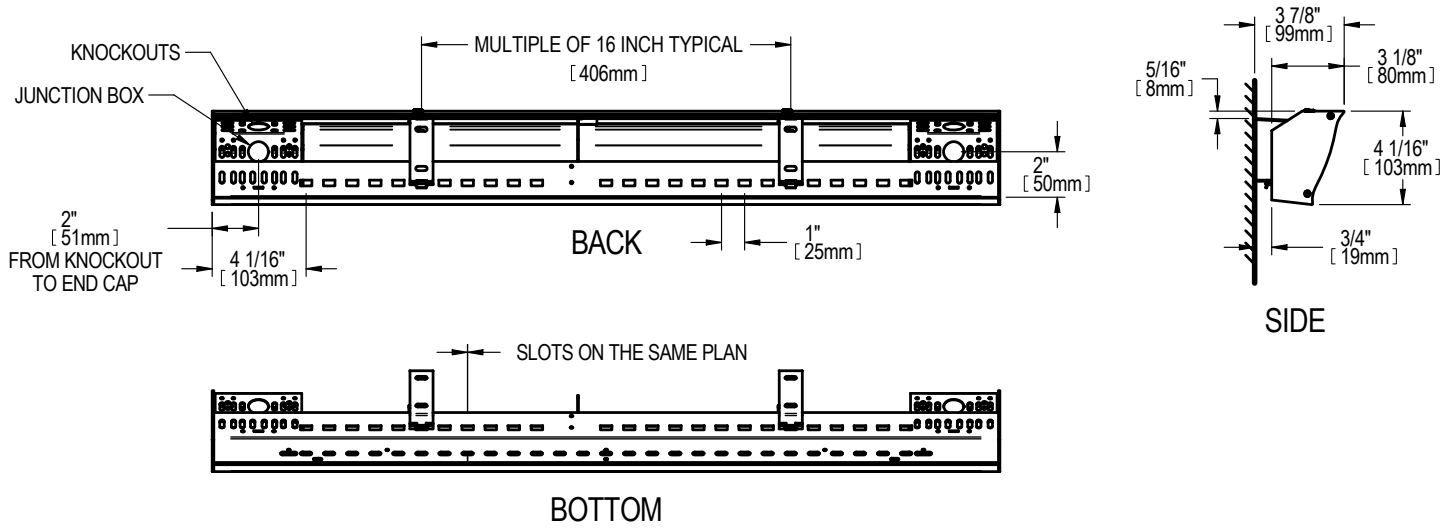
If an option must be added, make sure it has been approved by Stelpro. This way, it will ensure that it has been tested in accordance with our safety rules and that the installation was done properly.

Make sure that all the electrical connections have been secured and made properly. Tug on each wire to ensure it is not loose in the connector or the terminal board, as this may cause a fire.

## PLEASE SAVE THESE INSTRUCTIONS

**Note:** When a part of the product specification must be changed to improve operability or other functions, priority is given to the product specification itself. In such instances, the instruction manual may not entirely match all the functions of the actual product. Therefore, the actual product and packaging, as well as the name and illustration, may differ from the manual.

## TECHNICAL DRAWINGS



## SPECIFICATIONS

TYPE CODE	POWER WATTS	LENGTH		WEIGHT	
		IN.	CM	LB	KG
<b>SCR045</b>	450	34	86	6.4	2.9
<b>SCR060</b>	600	47	119	8.9	4.0
<b>SCR075</b>	750	59	150	11.1	5.0
<b>SCR090</b>	900	71	180	13.0	5.9
<b>SCR105</b>	1050	83	211	15.7	7.1
<b>SCR120</b>	1200	94	239	17.8	8.1
<b>SCR150</b>	1500	106	269	20.1	9.1

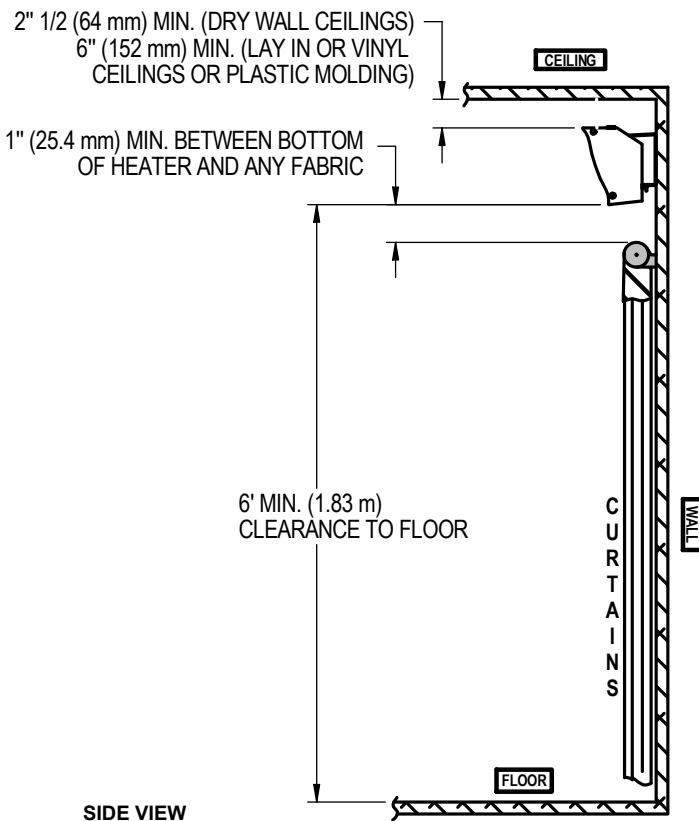


## IMPORTANT SAFETY AND PERFORMANCE CONSIDERATIONS BEFORE INSTALLATION

**N.B. Cut off power supply at circuit breaker or fuse before proceeding with the installation of the heater.**

1. This unit is designed to be installed in a horizontal position with the front panel facing the room. It is designed to be installed with the supplied wall brackets, on the surface of a finished wall at a clearance distance of at least 6 feet (1.83 m) from the floor, and at a clearance distance of at least 2.5 inches (64 mm) from a dry wall ceiling, or at least 6 inches (152 mm) from a vinyl ceiling, or any crown molding or plastic molding above the heater. See FIGURES 1 and 2.
2. Curtains or blinds must be at least 6 inches (152 mm) from the front or from the sides of the unit, but never above it. See FIGURES 1 and 2.
3. Do not place or install curtains, draperies, or any other combustible material closer than 6 inches (152 mm) facing the front panel surface of the heater, starting from the vertical line extending from the bottom edge of the front panel, or starting from the horizontal line extending sideways from the bottom edge of the front panel. See FIGURE 2.
4. The heater radiates heat away from the front panel surface. Place the unit in a location where it will radiate heat toward most of the room, and preferably above a window or patio door. Any object in proximity and facing the heater, although far enough to prevent a fire, as stated in the statements above and below, will prevent the heat from reaching the floor, furniture, opposite wall and persons in the room.
5. If the unit is installed close to a wall corner, the minimum clearance distance from the adjacent wall must be at least 1 inch (25 mm). See FIGURE 3.
6. If two units are installed at a wall corner, each at an adjacent wall and side by side, a minimum clearance distance of 4 inches (102 mm) from the corner is required. See FIGURE 4.
7. If two units are installed side by side, leave a clearance space between them to allow for metal expansion, see TABLE 1 below. The optional splice plate must be used; see ACCESSORIES section.
8. The power supply cable, connectors and fittings to be used to connect to the heater(s) must be rated for at least 90°C (use copper wire only) and for the voltage and current requirements as per the nameplate.
9. Ideally, it is best to have the power supply cable, or conduit, exit the wall at a height level and location that is in line with one of the knockout holes of one of the terminal boxes located at each end of the heater as shown in FIGURES 1 AND 2. Keep in mind that you must meet the minimum clearance distances as explained in TABLE 1.
10. Although a single pole bimetallic thermostat is offered as an option (see ACCESSORIES section), it is best for thermal comfort to use a wall installed line voltage thermostat to control the room temperature. See your distributor or dealer for thermostats offered by Stelpro.

**FIGURE 1**

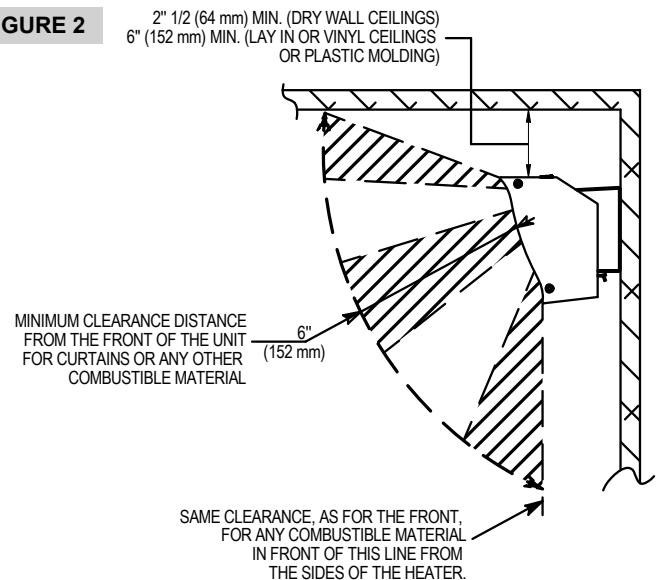


**TABLE 1**

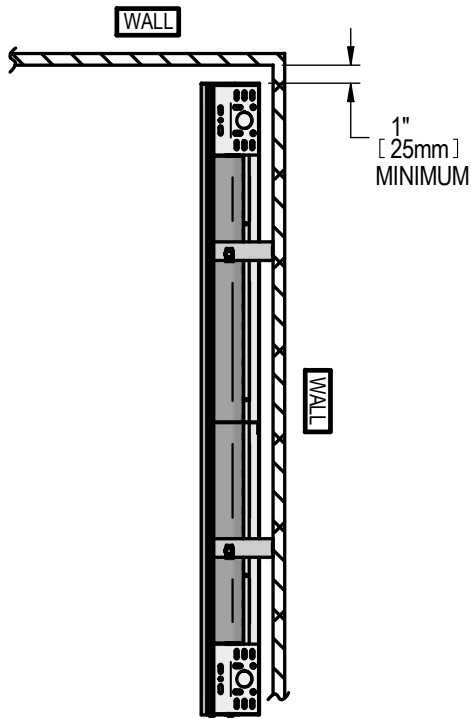
MINIMUM CLEARANCE DISTANCE BETWEEN TWO IDENTICAL HEATERS INSTALLED SIDE BY SIDE

TYPE CODE	POWER WATTS	MINIMUM CLEARANCE DISTANCE	
		IN.	MM
SCR045	450	7/16	11
SCR060	600	9/16	14
SCR075	750	11/16	17
SCR090	900	3/4	19
SCR105	1050	7/8	22
SCR120	1200	1	25
SCR150	1500	1-1/8	29

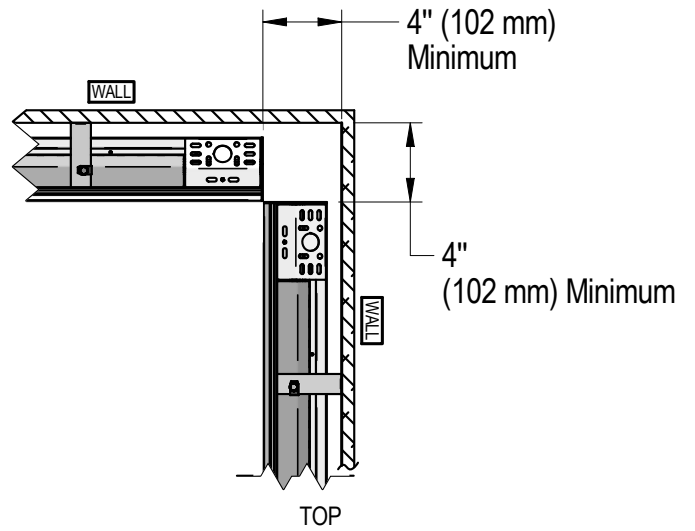
**FIGURE 2**



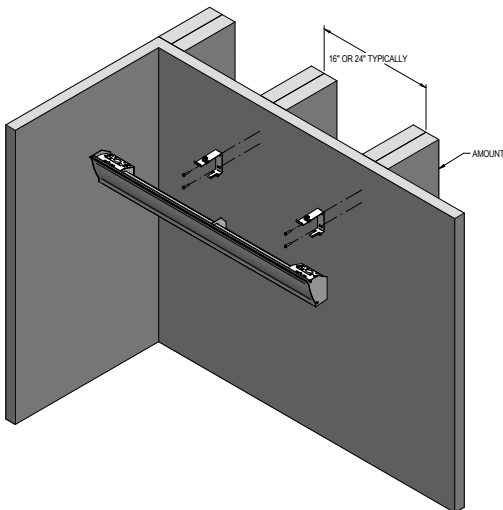
**FIGURE 3** TOP VIEW  
1 corner heater



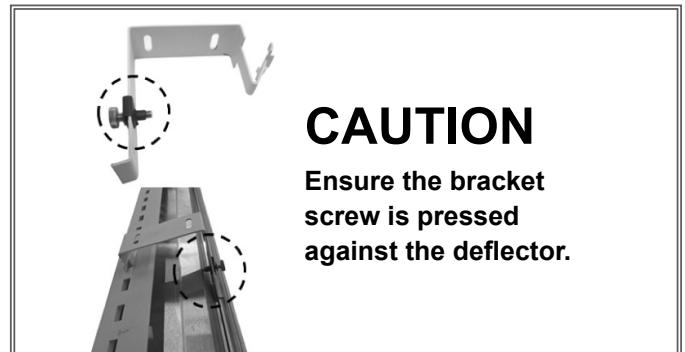
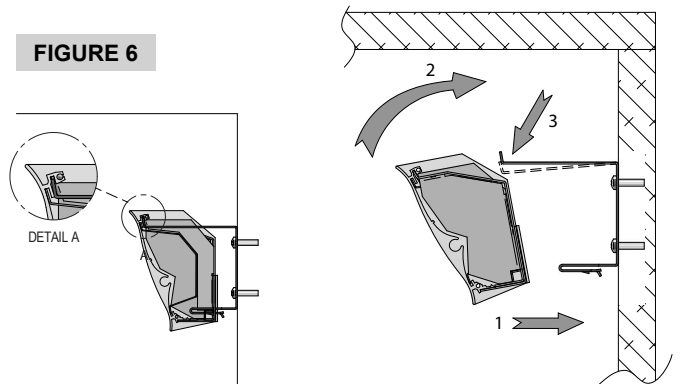
**FIGURE 4** TOP VIEW  
2 corner heaters side by side



**FIGURE 5**



**FIGURE 6**



**ACCESSORIES**

PART #	DESCRIPTION
<b>SCRSPW</b>	WHITE COLORED SPLICE PLATE
<b>SCRBTRW</b>	SINGLE POLE BIMETALLIC THERMOSTAT WITH WHITE RIGHT SIDE END COVER
<b>SCRBLW</b>	SINGLE POLE BIMETALLIC THERMOSTAT WITH WHITE LEFT SIDE END COVER

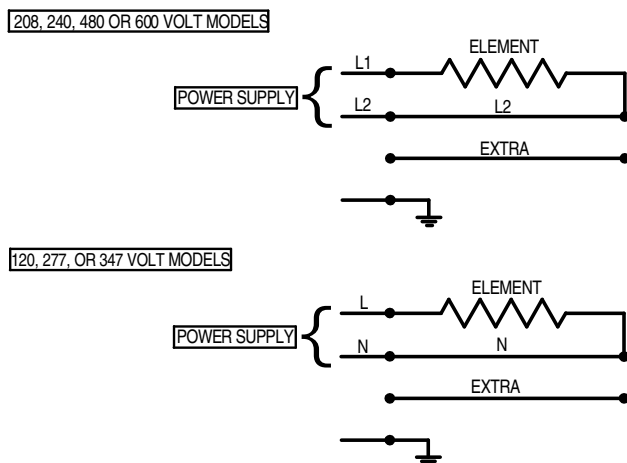
## INSTALLATION INSTRUCTIONS

- A. The heater is to be installed with the wall brackets supplied. All wall brackets supplied must be installed to support the unit in a safe manner on the wall. They can be positioned at different positions at the back of the unit. Each position is according to the 1 inch space openings at the back of the unit enclosure. Verify at the back of the unit to determine the maximum distance available between the two far end wall brackets.
- B. Locate wall studs into which the wall brackets will be installed. A wall bracket should be installed as close as possible to each end of the unit. Install the wall brackets to match the 1-inch spaced slotted holes on the back of the unit's enclosure. For each wall bracket, the screw holes are slotted for this purpose. See Figure 5.
- C. Mark the proper location of each wall bracket on the wall, while meeting safety requirements of **paragraphs 1 to 5** of the previous section. If two heaters need to be installed side by side, you must also meet the safety requirements of **paragraphs 6 or 7**. To position each bracket at the proper level, consider that the distance between the top edge of the heater and the center of the top screw hole of the bracket is 7/8 inch (22 mm). Therefore, add this distance to the clearance distance desired between the top edge of the heater and the ceiling or molding, while making sure that the minimum clearance distance requirements are met. Mark the position of the top hole first, for each bracket.
- D. Use a level, or long ruler, or a straight wood plank to verify that the marks for each bracket are level. Reposition the marks of any bracket that is not level until all marks are level.
- E. With proper screws, fix each bracket to the wall at the top hole first, while aligning it with the marking on the wall. Level each bracket vertically and apply a screw to the bottom hole. Re-align each bracket, if necessary, so that the center to center distance between adjacent brackets are a multiple of 1 inch (25 mm).
- F. Take the heater with the top side facing the ceiling, and position it with the back side facing the wall in the position the wall brackets need to be inserted. To do so, position the heater with an angle facing down, align the bottom clips of each wall bracket with the slotted openings at the back of the enclosure, and push the unit towards the wall in order to snap the clips into the enclosure. See FIGURE 6.
- G. While still holding the heater, use your fingers to locate the top hook of one bracket and while pushing the hook down a little, push the top of the unit backwards until the hook inserts into the top longitudinal slot at the back of the front panel. Do the same with the other bracket(s). See FIGURE 6.
- H. The heater may be removed from the wall brackets by pushing up with a screwdriver, on the bottom portion of each bracket near the edge of the heater, and by pulling the heater away from the wall.
- I. To connect the heater with the power supply cable, you must use the material mentioned in **paragraph 8** of the previous section.
- J. To make the connection with the power supply cable, remove the heater end cover that is closest to the power cable. Pull out the wires with the connector and the green wire from the heater through the end cover opening. Push and remove the knockout that is most suitable for the cable location. Install an approved cable fitting (or conduit fitting, if applicable) in the knockout hole. Strip 7-1/2 inches of the jacket from the end of the power cable, and pass the conductors of the power supply cable (and conduit, if applicable) through the cable fitting (or conduit fitting, if applicable) and tighten it on the cable jacket (or the conduit, if applicable).
- K. Remove the wire connector joining the two insulated conductors of the heater and connect each one to the appropriate conductor of the power supply cable using the connectors supplied. Connect the green ground wire of the unit with the ground wire of the power supply cable with the connectors supplied. See FIGURES 7, 8 and 9 for the wiring diagrams.
- L. If two or more heaters need to be connected together in parallel, see FIGURES 8 and 9 for details. In this case, the adjacent end covers of each unit are removed and not used, but the optional splice plate must be used. Any additional connectors needed must be rated for at least 90°C operation.
- M. Once the electrical connections are done, push the wires into the terminal box between the plastic heat shield and the back of the box and close the unit end cover, or slide and lock the splice plate (if applicable), and the unit is ready for use.

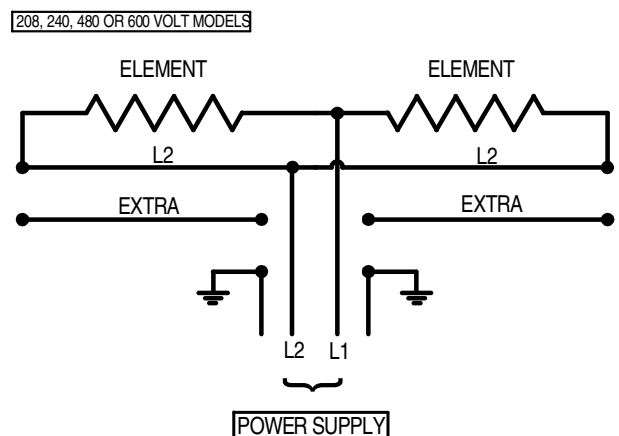
## WIRING DIAGRAMS

**Note:** the spare wire is used only when connecting two or more heaters side by side with power supply from one end (see further down).

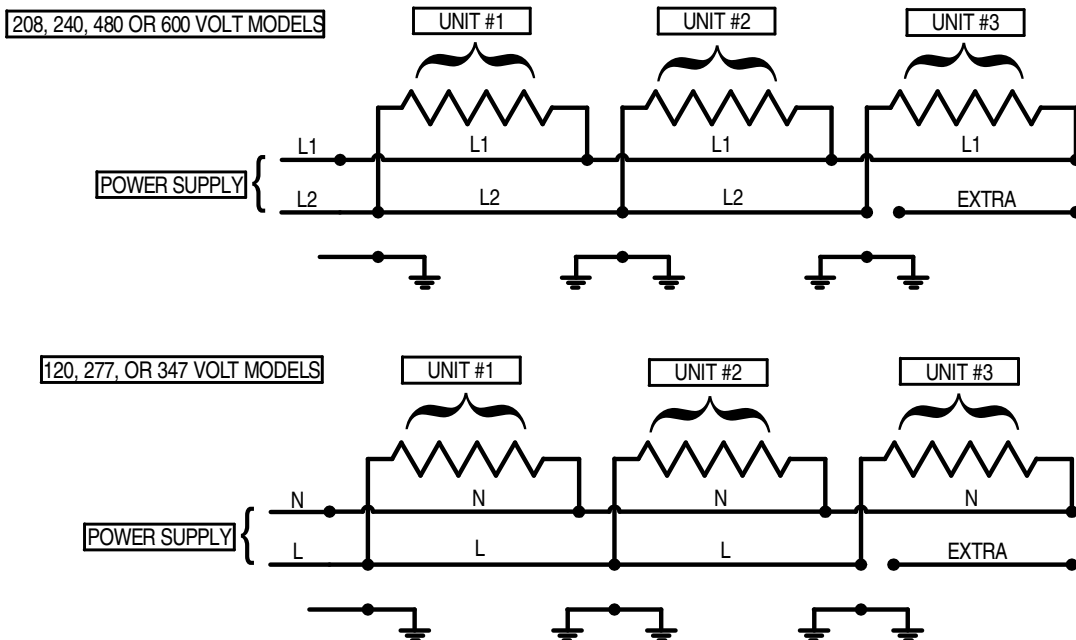
**FIGURE 7** SINGLE HEATER  
(ALL UNITS MAY BE WIRED FROM EITHER END)



**FIGURE 8** 2 HEATERS  
WITH POWER SUPPLY IN THE MIDDLE  
(for 120 or 277 V models, replace the L2 wires with N wires)



**FIGURE 9** 2 OR MORE HEATERS  
WITH POWER SUPPLY FROM ONE END



## MAINTENANCE

**N.B. In order for the warranty to be valid, the unit must be cleaned regularly.**

Switch off the main breaker in the electrical panel or remove the fuse before cleaning the unit. Use a soft rag for dusting. When cleaning, use only a damp rag and non-abrasive dish soap. If you use a cleaning product, always wipe the product off properly to avoid the discoloration of the unit. Do not use abrasive or chemical cleaners because they can damage the finishing. If the unit is used in a very dusty location, use a vacuum brush to remove dust and other foreign objects from the grilles. If needed, vacuum out the dust inside the unit. Note that cigarette smoke can yellow the unit and the best way to prevent this problem is to clean the unit on a regular basis.

## WARNING

**Do not use cleaning products identified with these symbols:**



**N.B. Note that there is electrical current to the unit even if the thermostat is off. Meaning that there is a risk of electric shock as long as the unit is connected.**

## TROUBLESHOOTING

PROBLEM	DEFECTIVE PART OR PART TO CHECK
The unit does not work	<ul style="list-style-type: none"> <li>Defective thermostat or wrong thermostat setting</li> <li>Open circuit breaker or fuse</li> <li>Faulty connections</li> </ul>
The unit runs continuously	<ul style="list-style-type: none"> <li>Defective thermostat or wrong thermostat setting</li> <li>Heat losses greater than the unit's capacity</li> </ul>
The enclosure is extremely hot	<ul style="list-style-type: none"> <li>Voltage higher than indicated on the nameplate</li> <li>Blocked air vents</li> </ul>
Overheating	<ul style="list-style-type: none"> <li>Defective thermostat or wrong thermostat setting</li> </ul>
The breaker trips when the heater is turned on	<ul style="list-style-type: none"> <li>Faulty connections</li> <li>Voltage higher than that indicated on the nameplate</li> </ul>
The desired room temperature cannot be reached	<ul style="list-style-type: none"> <li>One or more defective elements</li> <li>Defective thermostat or wrong thermostat setting</li> <li>Voltage lower than indicated on the nameplate</li> <li>Heat losses greater than the unit's capacity</li> </ul>

N.B. If you do not solve the problem after checking these points, cut off the power supply at the main electrical panel and contact our customer service (please refer to the limited warranty to obtain the phone numbers).

# LIMITED WARRANTY

This limited warranty is offered by Stelpro Design Inc. ("Stelpro") and applies to the following product made by Stelpro: SCR model. **Please read this limited warranty carefully.** Subject to the terms of this warranty, Stelpro warrants its products and their components against defects in workmanship and/or materials for the following periods from the date of purchase: **3 years.** This warranty applies only to the original purchaser; it is non-transferable and cannot be extended.

## CLAIM PROCEDURE

If at any time during the warranty period the unit becomes defective, you must cut off the power supply at the main electrical panel and contact 1) your installer or distributor, 2) your service center or 3) Stelpro's customer service department. In all cases, you must have a **copy of the invoice** and provide the **information written on the product nameplate.** Stelpro reserves the right to examine or to ask one of its representatives to examine the product itself or any part of it before honoring the warranty. Stelpro reserves the right to replace the entire unit, refund its purchase price or repair a defective part. Please note that repairs made within the warranty period must be authorized in advance in writing by Stelpro and carried out by persons authorized by Stelpro.

Before returning a product to Stelpro, you must have a Stelpro authorization number (RMA). To obtain it, call the customer service department at: **1-800-363-3414** (electricians and distributors - French), **1-800-343-1022** (electricians and distributors - English), or **1-866-766-6020** (consumers). The authorization number must be clearly written on the parcel or it will be refused.

## CONDITIONS, EXCLUSIONS AND DISCLAIMER OF LIABILITY

This warranty is exclusive and in lieu of all other representations and warranties (except of title), expressed or implied, and Stelpro expressly disclaims and excludes any implied warranty of merchantability or implied warranty of fitness for a particular purpose.

Stelpro's liability with respect to products is limited as provided above. Stelpro shall not be subject to any other obligations or liabilities whatsoever, whether based on contract, tort or other theories of law, with respect to goods or services furnished by it, or any undertakings, acts or omissions relating thereto. Without limiting the generality of the foregoing, Stelpro expressly disclaims any liability for property or personal injury damages, penalties, special or punitive damages, damages for lost profits, loss of use of equipment, cost of capital, cost of substitute products, facilities or services, shutdowns, slowdowns, or for other types of economic loss or for claims of a dealer's customers or any third party for such damages. Stelpro specifically disclaims all consequential, incidental and contingent damages whatsoever.

This warranty does not cover any damages or failures resulting from: 1) a faulty installation or improper storage; 2) an abusive or abnormal use, lack of maintenance, improper maintenance (other than that prescribed by Stelpro) or a use other than that for which the unit was designed; 3) a natural disaster or an event out of Stelpro's control, including, but not limited to, hurricanes, tornadoes, earthquakes, terrorist attacks, wars, overvoltage, flooding, water damages, etc. This warranty does not cover any accidental or intentional losses or damages, nor does it cover damages caused by negligence of the user or owner of the product. Moreover, it does not cover the cost of disconnection, transport, and installation.

The warranty is limited to the repair or the replacement of the unit or the refund of its purchase price, **at the discretion of Stelpro.** Any parts replaced or repaired within the warranty period with the written authorization of Stelpro will be warranted for the remainder of the original warranty period. This warranty will be considered null and void and Stelpro will have the right to refuse any claims if **products have been altered** without the written authorization of Stelpro and if the nameplate numbers have been removed or modified. This warranty does not cover scratches, dents, corrosion or discoloration caused by excessive heat, chemical cleaning products and abrasive agents. It does not cover any damage that occurred during the shipping.

Some states and provinces do not allow the exclusion or limitation of incidental or consequential damages and some of them do not allow limitations on how long an implied warranty lasts, so these exclusions or limitations may not apply to you. This warranty gives you specific legal rights and you may have other rights which vary from state to state or from province to province.