

# EC | X-PRO

## EXPLOSION-PROOF CONVECTOR



**X-PRO**  
SÉRIE/SERIES



## YOUR ALLY IN HAZARDOUS LOCATIONS

Stelpro's X-pro series explosion-proof convector is the unit best suited to hazardous locations at risk of fire or explosion and is available in many different wattages (from 0.5 kW to 9.5 kW) and voltages (120 V to 600 V). With many controls and options available, this heavy-duty unit is designed to meet all your needs.

### DESIGNED FOR HEATING LOCATIONS CONSIDERED HAZARDOUS

### THREE CLASSIFICATIONS: TWO FOR DANGEROUS GASES AND VAPORS AND ONE FOR PARTICLES OF DUST

### IRIDITE COATING TREATMENT FOR CABINET AVAILABLE FOR NEMA3 WET LOCATIONS (OPTION EC-C1)

### LARGE SELECTION OF MODELS SEVERAL WATTAGES, VOLTAGES AND PHASES

### SLOPED TOP MAKING IT LESS LIKELY TO BE SAT ON OR USED AS A SHELF

### COLOUR

- beige

### FINISH

- powdercoat

### MANUFACTURING

- 18-gauge robust galvanized steel cabinet
- corrosion resistant (EC-C1 and EC-C2 options)
- air enters at the bottom of the unit and exits at the top
- thermal protection with automatic reset
- sealed junction box

### ELEMENTS

- copper tube elements with large aluminum fins

### CONTROL

- wall thermostat (optional)
- built-in contactor and transformer included with single-phase units of more than 277 V or more than 22 A and for three-phase units (optional for all other units, except size 1 units)

### INSTALLATION

- wall (wall support included)
- minimum distance from floor: 6 in. (152 mm)
- approved locations:
  - Class I, Divisions 1 and 2, Groups B, C and D
  - Class II, Divisions 1 and 2, Groups E, F and G
  - Class I, Zones 1 and 2, Groups IIB + H2

### WARRANTY

- one year

### IDEAL FOR:

HAZARDOUS ENVIRONMENTS\* SUCH AS:  
battery storage area, chemical handling/storage area, coal preparation plant, dry cleaning plant, gasoline storage area, grain elevator, oil refinery, paint spraying/storage area, petrochemical plant

\* Please consult your process engineer for proper class division and groups needed for your application.

**°STELPRO**

Stelpro reserves the right to modify descriptions, manufacturing specifications or prices without prior notice. No returns accepted on optional-colour products. For all the latest models and prices, please refer to our website at [www.stelpro.com](http://www.stelpro.com).



## OPTIONS AND ACCESSORIES DESCRIPTION

CODE	DESCRIPTION
<b>B2*</b>	<u>ELECTRIC CONTROL (WITHOUT THERMOSTAT)</u> Class I and II, Groups B, C, E, D, F and G, includes a contactor and a transformer (according to specifications). Required for single-phase units of more than 22 A or 277 V and three-phase units.
<b>B2/S1*</b>	<u>THERMOSTAT AND CONTROLS</u> Class I and II, Groups C, D, E, F and G includes a thermostat, a contactor and a transformer (according to specifications).
<b>B3*</b>	<u>THERMOSTAT AND CONTROLS (GROUP B)</u> Class I and II, Groups B, C, D, E, F and G includes a thermostat, a contactor and a transformer (according to specifications). The thermostat has an internal setpoint.
<b>S1*</b>	<u>THERMOSTAT ONLY</u> Class I and II, Groups C, D, E, F and G for single-phase units from maximum 22 A to 120 V-277 V. Use the ST-XPROEC wall thermostat for size 1 units.
<b>S2*</b>	<u>THERMOSTAT ONLY (GROUP B)</u> Class I and II, Groups B, C, D, E, F and G for single-phase units from maximum 22 A to 120 V-277 V. The thermostat has an internal setpoint. Use the ST-XPROEC wall thermostat for size 1 units.
<b>EC-C1*</b>	<u>G90 GALVANIZED STEEL UNIT RESISTANT TO WET AREAS (NEMA 3)</u> G90 galvanized steel cabinet resistant to wet areas with a baked on powder coating. Elements have a chromate coating, and unit has a gasketed terminal box cover (O ring). This option is not available for S1, B2/S1 and S2 thermostat options.
<b>EC-C2*</b>	<u>STAINLESS STEEL UNIT RESISTANT TO WET AND CORROSIVE AREAS (NEMA 3)</u> Stainless steel cabinet resistant to wet and corrosive areas. Elements have a chromate coating, and unit has a gasketed terminal box cover (O ring). This option is not available for S1, B2/S1 and S2 thermostat options.

\* These options are not available for size 1 units.

\* Units ordered with these options require a longer delay in delivery.

## ACCESSORIES

PRODUCT	DESCRIPTION	PRICE
<b>EC-C1</b>	G90 galvanized steel cabinet resistant to wet areas	<b>1415.00</b>
<b>EC-C2</b>	stainless steel unit resistant to wet and corrosive areas	<b>2060.00</b>
<b>ST-XPROEC</b>	wall-mounted 24 V thermostat (with low voltage control option B2) 125-277 V @ 22 A (10-32°C) – groups C, D, E, F and G	<b>2085.00</b>
<b>ST-XPROEC-1*</b>	wall-mounted 24 V thermostat (with low voltage control option B2) 120-240 V @ 25 A and 277 V @ 22 A (4-48°C) – groups B, C, D, E, F and G	<b>2085.00</b>
<b>ST-XPROEC-2*</b>	wall-mounted 24 V thermostat resistant to corrosion (with low voltage control option B2) 120-240 V @ 25 A and 277 V @ 22 A (4-48 °C) – groups B, C, D, E, F and G	<b>2085.00</b>

\* With bulb, capillary and internal setpoint adjustment

CLASS I, DIVISIONS 1 AND 2, GROUPS B, C AND D – CLASS I, ZONES 1 AND 2, GROUP IIB + H2  
IGNITION TEMPERATURE CODE: T2A, 280 °C (536 °F)

## TECHNICAL SPECIFICATIONS

PRODUCT	DIMENSION AND WEIGHT*	POWER	VOLTAGE	PHASE	CONTROL INCLUDED	AMPERAGE	PRICE
CODE		KILOWATTS	VOLTS	NB.		AMPERES	
<b>EC254-C0310052B</b>	1	0.5	120	1	---	4.2	<b>2997.00</b>
<b>EC254-C0310052C</b>	1	0.5	208	1	---	2.4	<b>2997.00</b>
<b>EC254-C0310052J</b>	1	0.5	240	1	---	2.1	<b>2997.00</b>
<b>EC254-C0310102B</b>	1	1	120	1	---	8.3	<b>3495.00</b>
<b>EC254-C0310102C</b>	1	1	208	1	---	4.8	<b>3495.00</b>
<b>EC254-C0310102J</b>	1	1	240	1	---	4.2	<b>3495.00</b>
<b>EC254-C0320182B</b>	2	1.8	120	1	---	15.0	<b>3792.00</b>
<b>EC254-C0320182B-S2</b>	2	1.8	120	1	S2	15.0	<b>5887.00</b>
<b>EC254-C0320182C</b>	2	1.8	208	1	---	8.7	<b>3792.00</b>
<b>EC254-C0320182C-S2</b>	2	1.8	208	1	S2	8.7	<b>5887.00</b>
<b>EC254-C0320182J</b>	2	1.8	240	1	---	7.5	<b>3792.00</b>
<b>EC254-C0320182J-S2</b>	2	1.8	240	1	S2	7.5	<b>5887.00</b>
<b>EC254-C0320182I-B2</b>	2	1.8	347	1	B2	5.2	<b>8383.00</b>
<b>EC254-C0320182I-B3</b>	2	1.8	347	1	B3	5.2	<b>10477.00</b>
<b>EC254-C0320182Z-B2</b>	2	1.8	600	3	B2	1.7	<b>8781.00</b>
<b>EC254-C0320182Z-B3</b>	2	1.8	600	3	B3	1.7	<b>10874.00</b>

\* Consult the dimensions and weight table.  
Models also available in 480 V.

# TECHNICAL SPECIFICATIONS (CONT'D)

PRODUCT	DIMENSION AND WEIGHT*	POWER	VOLTAGE	PHASE	CONTROL INCLUDED	AMPERAGE	PRICE
CODE		KILOWATTS	VOLTS	NB.		AMPERES	
EC254-C0320252C	2	2.5	208	1	---	12.0	4423.00
EC254-C0320252C-S2	2	2.5	208	1	S2	12.0	6514.00
EC254-C0320252D-B2	2	2.5	208	3	B2	6.9	7317.00
EC254-C0320252D-B3	2	2.5	208	3	B3	6.9	9411.00
EC254-C0320252J	2	2.5	240	1	---	10.4	4423.00
EC254-C0320252J-S2	2	2.5	240	1	S2	10.4	6514.00
EC254-C0320252I-B2	2	2.5	347	1	B2	7.2	8781.00
EC254-C0320252I-B3	2	2.5	347	1	B3	7.2	10874.00
EC254-C0320252Z-B2	2	2.5	600	3	B2	2.4	8781.00
EC254-C0320252Z-B3	2	2.5	600	3	B3	2.4	10874.00
EC254-C0330362C	3	3.6	208	1	---	17.3	4929.00
EC254-C0330362C-S2	3	3.6	208	1	S2	17.3	9119.00
EC254-C0330362D-B2	3	3.6	208	3	B2	10.0	8781.00
EC254-C0330362D-B3	3	3.6	208	3	B3	10.0	10874.00
EC254-C0330362J	3	3.6	240	1	---	15.0	4929.00
EC254-C0330362J-S2	3	3.6	240	1	S2	15.0	9119.00
EC254-C0330362I-B2	3	3.6	347	1	B2	10.4	8781.00
EC254-C0330362I-B3	3	3.6	347	1	B3	10.4	10874.00
EC254-C0330362Z-B2	3	3.6	600	3	B2	3.5	8781.00
EC254-C0330362Z-B3	3	3.6	600	3	B3	3.5	10874.00
EC254-C0330442C	3	4.4	208	1	---	21.2	5987.00
EC254-C0330442C-S2	3	4.4	208	1	S2	21.2	10177.00
EC254-C0330442D-B2	3	4.4	208	3	B2	12.2	8982.00
EC254-C0330442D-B3	3	4.4	208	3	B3	12.2	11075.00
EC254-C0330442J	3	4.4	240	1	---	18.3	5987.00
EC254-C0330442J-S2	3	4.4	240	1	S2	18.3	10177.00
EC254-C0330442I-B2	3	4.4	347	1	B2	12.7	8982.00
EC254-C0330442I-B3	3	4.4	347	1	B3	12.7	11075.00
EC254-C0330442Z-B2	3	4.4	600	3	B2	4.2	8982.00
EC254-C0330442Z-B3	3	4.4	600	3	B3	4.2	11075.00
EC254-C0340652D-B2	4	6.5	208	3	B2	18.1	10479.00
EC254-C0340652D-B3	4	6.5	208	3	B3	18.1	12572.00
EC254-C0340652J-B2	4	6.5	240	1	B2	27.1	10479.00
EC254-C0340652J-B3	4	6.5	240	1	B3	27.1	12572.00
EC254-C0340652I-B2	4	6.5	347	1	B2	18.7	10479.00
EC254-C0340652I-B3	4	6.5	347	1	B3	18.7	12572.00
EC254-C0340652Z-B2	4	6.5	600	3	B2	6.3	10479.00
EC254-C0340652Z-B3	4	6.5	600	3	B3	6.3	12572.00
EC254-C0340752D-B2	4	7.5	208	3	B2	20.8	10977.00
EC254-C0340752D-B3	4	7.5	208	3	B3	20.8	13069.00
EC254-C0340752J-B2	4	7.5	240	1	B2	31.3	10977.00
EC254-C0340752J-B3	4	7.5	240	1	B3	31.3	13069.00
EC254-C0340752I-B2	4	7.5	347	1	B2	21.6	10977.00
EC254-C0340752I-B3	4	7.5	347	1	B3	21.6	13069.00
EC254-C0340752Z-B2	4	7.5	600	3	B2	7.2	10977.00
EC254-C0340752Z-B3	4	7.5	600	3	B3	7.2	13069.00
EC254-C0340952D-B2	4	9.5	208	3	B2	26.4	12332.00
EC254-C0340952D-B3	4	9.5	208	3	B3	26.4	14428.00
EC254-C0340952J-B2	4	9.5	240	1	B2	39.6	11656.00
EC254-C0340952J-B3	4	9.5	240	1	B3	39.6	13748.00
EC254-C0340952I-B2	4	9.5	347	1	B2	27.4	12594.00
EC254-C0340952I-B3	4	9.5	347	1	B3	27.4	14691.00
EC254-C0340952Z-B2	4	9.5	600	3	B2	9.2	12332.00
EC254-C0340952Z-B3	4	9.5	600	3	B3	9.2	14428.00

\* Consult the dimensions and weight table.  
Models also available in 480 V.

CLASS I, DIVISIONS 1 AND 2, GROUPS B, C AND D – CLASS I, ZONES 1 AND 2, GROUP IIB + H2  
IGNITION TEMPERATURE CODE: T3A, 180 °C (356 °F)

## TECHNICAL SPECIFICATIONS

PRODUCT	DIMENSION AND WEIGHT*	POWER	VOLTAGE	PHASE	CONTROL INCLUDED	AMPERAGE	PRICE
CODE		KILOWATTS	VOLTS	NB.		AMPERES	
EC254-C0610052B	1	0.5	120	1	---	4.2	3792.00
EC254-C0610052C	1	0.5	208	1	---	2.4	3792.00
EC254-C0610052J	1	0.5	240	1	---	2.1	3792.00
EC254-C0620142B	2	1.4	120	1	---	11.7	4991.00
EC254-C0620142B-S2	2	1.4	120	1	S2	11.7	7086.00
EC254-C0620142C	2	1.4	208	1	---	6.7	4991.00
EC254-C0620142C-S2	2	1.4	208	1	S2	6.7	7086.00
EC254-C0620142J	2	1.4	240	1	---	5.8	4991.00
EC254-C0620142J-S2	2	1.4	240	1	S2	5.8	7086.00
EC254-C0620142I	2	1.4	347	1	B2	4.0	7286.00
EC254-C0620142I-B3	2	1.4	347	1	B3	4.0	9379.00
EC254-C0630232B	3	2.3	120	1	---	19.2	5987.00
EC254-C0630232B-S2	3	2.3	120	1	S2	19.2	8082.00
EC254-C0630232C	3	2.3	208	1	---	11.1	5987.00
EC254-C0630232C-S2	3	2.3	208	1	S2	11.1	8082.00
EC254-C0630232D-B2	3	2.3	208	3	B2	6.4	8826.00
EC254-C0630232D-B3	3	2.3	208	3	B3	6.4	10916.00
EC254-C0630232J	3	2.3	240	1	---	9.6	7785.00
EC254-C0630232J-S2	3	2.3	240	1	S2	9.6	9877.00
EC254-C0630232I-B2	3	2.3	347	1	B2	6.6	7785.00
EC254-C0630232I-B3	3	2.3	347	1	B3	6.6	9877.00
EC254-C0630232Z-B2	3	2.3	600	3	B2	2.2	8826.00
EC254-C0630232Z-B3	3	2.3	600	3	B3	2.2	10916.00
EC254-C0640322C	4	3.2	208	1	---	15.4	7785.00
EC254-C0640322C-S2	4	3.2	208	1	S2	15.4	9877.00
EC254-C0640322D-B2	4	3.2	208	3	B2	8.9	9979.00
EC254-C0640322D-B3	4	3.2	208	3	B3	8.9	12072.00
EC254-C0640322J	4	3.2	240	1	---	13.3	7985.00
EC254-C0640322J-S2	4	3.2	240	1	S2	13.3	10077.00
EC254-C0640322I-B2	4	3.2	347	1	B2	9.2	9979.00
EC254-C0640322I-B3	4	3.2	347	1	B3	9.2	12072.00
EC254-C0640322Z-B2	4	3.2	600	3	B2	3.1	9979.00
EC254-C0640322Z-B3	4	3.2	600	3	B3	3.1	12072.00
EC254-C0640502D-B2	4	5	208	3	B2	13.9	12062.00
EC254-C0640502D-B3	4	5	208	3	B3	13.9	14155.00
EC254-C0640502J	4	5	240	1	---	20.8	9180.00
EC254-C0640502J-S2	4	5	240	1	S2	20.8	11274.00
EC254-C0640502I-B2	4	5	347	1	B2	14.4	11678.00
EC254-C0640502I-B3	4	5	347	1	B3	14.4	13771.00
EC254-C0640502Z-B2	4	5	600	3	B2	4.8	12062.00
EC254-C0640502Z-B3	4	5	600	3	B3	4.8	14155.00

\* Consult the dimensions and weight table.  
Models also available in 480 V.  
--- not available

CLASS II, DIVISIONS 1 AND 2, GROUPS E, F AND G  
IGNITION TEMPERATURE CODE: T3C, 160 °C (320 °F)

## TECHNICAL SPECIFICATIONS

PRODUCT	DIMENSION AND WEIGHT*	POWER	VOLTAGE	PHASE	CONTROL INCLUDED	AMPERAGE	PRICE
CODE		KILOWATTS	VOLTS	NB.		AMPERES	
EC254-C0810054B	1	0.5	120	1	---	4.2	3896.00
EC254-C0810054C	1	0.5	208	1	---	2.4	3896.00
EC254-C0810054J	1	0.5	240	1	---	2.1	3896.00
EC254-C0820104B	2	1	120	1	---	8.3	5289.00
EC254-C0820104B-S2	2	1	120	1	S2	8.3	7383.00
EC254-C0820104C	2	1	208	1	---	4.8	5289.00
EC254-C0820104C-S2	2	1	208	1	S2	4.8	7383.00
EC254-C0820104J	2	1	240	1	---	4.2	5289.00
EC254-C0820104J-S2	2	1	240	1	S2	4.2	7383.00
EC254-C0820104I-B2	2	1	347	1	B2	2.9	8168.00
EC254-C0820104I-B3	2	1	347	1	B3	2.9	10261.00
EC254-C0830174B	3	1.7	120	1	---	14.2	6386.00
EC254-C0830174B-S2	3	1.7	120	1	S2	14.2	8481.00
EC254-C0830174C	3	1.7	208	1	---	8.2	6386.00
EC254-C0830174C-S2	3	1.7	208	1	S2	8.2	8481.00
EC254-C0830174J	3	1.7	240	1	---	7.1	6386.00
EC254-C0830174J-S2	3	1.7	240	1	S2	7.1	8481.00
EC254-C0830174I-B2	3	1.7	347	1	B2	4.9	9237.00
EC254-C0830174I-B3	3	1.7	347	1	B3	4.9	11331.00
EC254-C0830174Z-B2	3	1.7	600	3	B2	1.6	9237.00
EC254-C0830174Z-B3	3	1.7	600	3	B3	1.6	11331.00
EC254-C0840324C	4	3.2	208	1	---	15.4	8383.00
EC254-C0840324C-S2	4	3.2	208	1	S2	15.4	10477.00
EC254-C0840324D-B2	4	3.2	208	3	B2	8.9	10574.00
EC254-C0840324D-B3	4	3.2	208	3	B3	8.9	12671.00
EC254-C0840324J	4	3.2	240	1	---	13.3	8383.00
EC254-C0840324J-S2	4	3.2	240	1	S2	13.3	10477.00
EC254-C0840324I-B2	4	3.2	347	1	B2	9.2	10574.00
EC254-C0840324I-B3	4	3.2	347	1	B3	9.2	12671.00
EC254-C0840324Z-B2	4	3.2	600	3	B2	3.1	10574.00
EC254-C0840324Z-B3	4	3.2	600	3	B3	3.1	12671.00

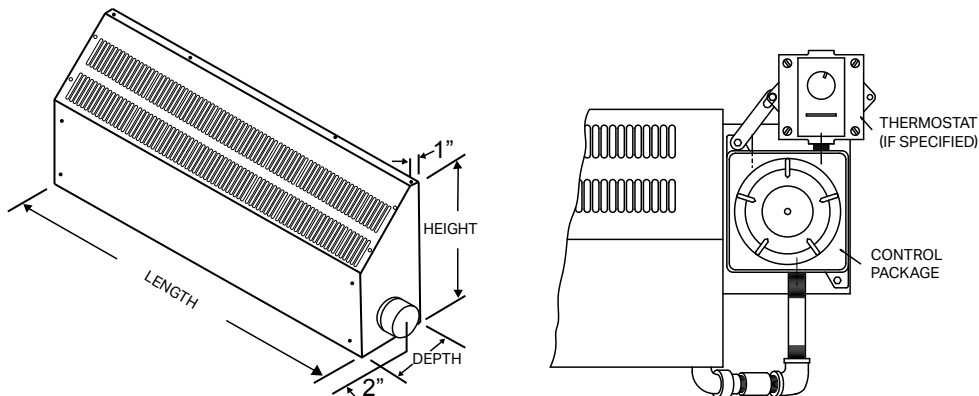
\* Consult the dimensions and weight table  
Models also available in 480 V.  
--- not available

## DIMENSIONS AND WEIGHT

UNIT SIZE	LENGTH		HEIGHT		DEPTH		WEIGHT*	
	CM	IN.	CM	IN.	CM	IN.	LB	KG
1	66	26	15	6	11	4.5	13	5.9
2	66	26	41	16	20	8	27	12.2
3	99	39	41	16	20	8	36	16.3
4	171	67.5	41	16	20	8	60	27.2

\* Without controls

## TECHNICAL DRAWINGS



Stelpro reserves the right to modify descriptions, manufacturing specifications or prices without prior notice. No returns accepted on optional-colour products.  
For all the latest models and prices, please refer to our website at [www.stelpro.com](http://www.stelpro.com).