

CBF

COMMERCIAL BASEBOARD



A STURDY BASEBOARD THAT CAN BE RECESSED

The CBF commercial baseboard heater is a suitable choice for commercial buildings, passageways and any other public establishment where wall space is precious and recessed installation is ideal. Surface mountable as well, this heater looks great on its own or installed one end to end in a continuous fashion around the perimeter of a room or corridor.

CAN BE RECESSED

DIRECTLY UNDER WINDOWS

OFFERED IN THREE WATT DENSITIES

BLANK SECTIONS AVAILABLE
FOR A CONTINUOUS LOOK

COLOURS

- **standard:** white, soft white
- **Orora (optional):** refer to www.stelpro.com/en-CA/Orora

FINISH

- epoxy-polyester powdercoat

MANUFACTURING

- 18-gauge steel cabinet and 16-gauge steel front panel
- thermal protection with automatic reset
- full-length wireway
- pencil-proof openings of less than 1/4 in. (6.4 mm) prevent foreign objects from entering the unit

ELEMENT

- single tubular, stainless steel sheathed element with boxed aluminum fins for improved heat dissipation; the element is securely fastened at its centre, floating in nylon sleeves at each end, eliminating expansion and contraction noises

CONTROL

- wall thermostat (not included) – the use of an electronic thermostat is strongly recommended
- built-in tamper-proof thermostat accessible without removing front grille, installed in the left or right junction box (optional)
- low voltage relay kit installed in the left or right junction box (optional)

INSTALLATION

- surface mounted or wall recessed with four-piece trim frame (optional)
- wall or floor mounted with or without pedestal kit (optional)
- wiring compartments at both ends of unit
- blank sections (custom lengths) and accessories are available for a continuous look (optional)

WARRANTY

- three years

IDEAL FOR:

school, shopping mall, hospital

°STELPRO

Stelpro reserves the right to modify descriptions, manufacturing specifications or prices without prior notice. No returns accepted on optional-colour products. For all the latest models and prices, please refer to our website at www.stelpro.com.



TECHNICAL SPECIFICATIONS

DENSITY OF 250 W PER LINEAR FOOT		DENSITY OF 200 W PER LINEAR FOOT		DENSITY OF 150 W PER LINEAR FOOT		VOLTAGE	LENGTH		WEIGHT		PRICE
CODE	WATTS	CODE	WATTS	CODE	WATTS	VOLTS	MM	IN.	KG	LB	
CBF6051	500	CBF6041	400	CBF6031	300	120	600	23 5/8	6.4	14	505.00
CBF6058	500	CBF6048	400	CBF6038	300	208	600	23 5/8	6.4	14	505.00
CBF6052	500	CBF6042	400	CBF6032	300	240	600	23 5/8	6.4	14	505.00
CBF6053	500	---	400	---	300	347	600	23 5/8	6.4	14	505.00
---	500	---	400	---	300	600	600	23 5/8	6.4	14	---
CBF9071	750	CBF9061	600	CBF9041	450	120	900	35 7/16	9.1	20	574.00
CBF9078	750	CBF9068	600	CBF9048	450	208	900	35 7/16	9.1	20	574.00
CBF9072	750	CBF9062	600	CBF9042	450	240	900	35 7/16	9.1	20	574.00
CBF9073	750	CBF9063	600	CBF9043	450	347	900	35 7/16	9.1	20	574.00
CBF9076	750	---	600	---	450	600	900	35 7/16	9.1	20	574.00
CBF12101	1000	CBF12081	800	CBF12061	600	120	1200	47 1/4	13.6	30	657.00
CBF12108	1000	CBF12088	800	CBF12068	600	208	1200	47 1/4	13.6	30	657.00
CBF12102	1000	CBF12082	800	CBF12062	600	240	1200	47 1/4	13.6	30	657.00
CBF12103	1000	CBF12083	800	CBF12063	600	347	1200	47 1/4	13.6	30	657.00
CBF12106	1000	CBF12086	800	---	600	600	1200	47 1/4	13.6	30	657.00
CBF15121	1250	CBF15101	1000	CBF15071	750	120	1500	59 1/16	16.8	37	724.00
CBF15128	1250	CBF15108	1000	CBF15078	750	208	1500	59 1/16	16.8	37	724.00
CBF15122	1250	CBF15102	1000	CBF15072	750	240	1500	59 1/16	16.8	37	724.00
CBF15123	1250	CBF15103	1000	CBF15073	750	347	1500	59 1/16	16.8	37	724.00
CBF15126	1250	CBF15106	1000	CBF15076	750	600	1500	59 1/16	16.8	37	724.00
CBF18151	1500	CBF18121	1200	CBF18091	900	120	1800	70 7/8	20.0	44	796.00
CBF18158	1500	CBF18128	1200	CBF18098	900	208	1800	70 7/8	20.0	44	796.00
CBF18152	1500	CBF18122	1200	CBF18092	900	240	1800	70 7/8	20.0	44	796.00
CBF18153	1500	CBF18123	1200	CBF18093	900	347	1800	70 7/8	20.0	44	796.00
CBF18156	1500	CBF18126	1200	CBF18096	900	600	1800	70 7/8	20.0	44	796.00
---	1750	CBF21141	1400	CBF21101	1050	120	2100	82 11/16	23.1	51	866.00
CBF21178	1750	CBF21148	1400	CBF21108	1050	208	2100	82 11/16	23.1	51	866.00
CBF21172	1750	CBF21142	1400	CBF21102	1050	240	2100	82 11/16	23.1	51	866.00
CBF21173	1750	CBF21143	1400	CBF21103	1050	347	2100	82 11/16	23.1	51	866.00
CBF21176	1750	CBF21146	1400	CBF21106	1050	600	2100	82 11/16	23.1	51	866.00
---	2000	---	1600	CBF24121	1200	120	2400	94 1/2	26.8	59	935.00
CBF24208	2000	CBF24168	1600	CBF24128	1200	208	2400	94 1/2	26.8	59	935.00
CBF24202	2000	CBF24162	1600	CBF24122	1200	240	2400	94 1/2	26.8	59	935.00
CBF24203	2000	CBF24163	1600	CBF24123	1200	347	2400	94 1/2	26.8	59	935.00
CBF24206	2000	CBF24166	1600	CBF24126	1200	600	2400	94 1/2	26.8	59	935.00
---	2250	---	1800	---	1350	120	2700	106 5/16	27.7	61	---
CBF27228	2250	CBF27188	1800	CBF27138	1350	208	2700	106 5/16	27.7	61	1008.00
CBF27222	2250	CBF27182	1800	CBF27132	1350	240	2700	106 5/16	27.7	61	1008.00
CBF27223	2250	CBF27183	1800	CBF27133	1350	347	2700	106 5/16	27.7	61	1008.00
CBF27226	2250	CBF27186	1800	CBF27136	1350	600	2700	106 5/16	27.7	61	1008.00
---	2500	---	2000	---	1500	120	2700	106 5/16	27.7	61	---
CBF27258	2500	CBF27208	2000	CBF27158	1500	208	2700	106 5/16	27.7	61	1008.00
CBF27252	2500	CBF27202	2000	CBF27152	1500	240	2700	106 5/16	27.7	61	1008.00
CBF27253	2500	CBF27203	2000	CBF27153	1500	347	2700	106 5/16	27.7	61	1008.00
CBF27256	2500	CBF27206	2000	CBF27156	1500	600	2700	106 5/16	27.7	61	1008.00

Add W for white or SW for soft white (consult the optional colours chart or contact your Stelpro representative for all other colours).

Models also available in 277 V and 480 V.

--- not available

ACCESSORIES

PRODUCT	DESCRIPTION	PRICE
CBFT12*	built-in tamper-proof single pole thermostat	166.00
CBFT22*	built-in tamper-proof double pole thermostat	278.00
CBFRE153*	built-in electronic low voltage relay [15 A @ 120 V-347 V]	97.00
CBFRE156*	built-in electronic low voltage relay [6 A @ 600 V]	157.00
CBFRE153T*	built-in electronic low voltage relay c/w transformer 24 V [15 A @ 208 V-347 V]	121.00
CBFRM240T*	built-in electromechanical relay c/w transformer 24 V [6000 W @ 240 V and 5200 W @ 208 V]	143.00
CBFRM347T*	built-in electromechanical relay c/w transformer 24 V [6000 W @ 347 V]	158.00
CBFRM347C*	built-in electromechanical relay w/o transformer 24 V [6000 W @ 120 V-347 V]	120.00
CBFR841D1036*	built-in electromechanical relay w/o transformer 24 V [6000 W @ 600 V]	194.00
CBFR841C1151*	built-in electromechanical low voltage relay c/w transformer 24 V [6000 W @ 600 V]	239.00
PK2*	pedestal kit (kit of two)	154.00
CBFJS*	joiner strip (2 in. - 51 mm)	144.00
CBFIC90*	inside corner (back measures 5 7/8 in. (149 mm) long on each side)	498.00
CBFOC90*	outside corner (back measures 5 7/8 in. (149 mm) long on each side)	498.00
CBFTB*	four-piece trim frame	149.00
CBFCB**	clean back (fully finished, no mounting holes or knockouts)	211.00

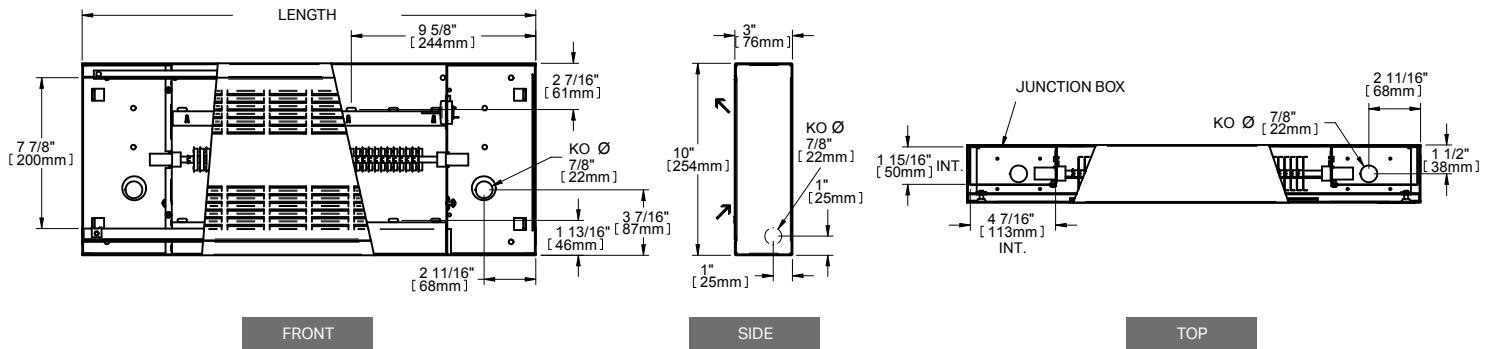
Electronic relays can receive a PWM (pulsed width modulation) or digital (on/off) signal.

* Add W for white or SW for soft white.

* Factory installed

* Factory installation is strongly recommended.

TECHNICAL DRAWINGS



INSTALLATION

SURFACE MOUNTED

RECESSED OR SEMI-RECESSED WITH FOUR-PIECE TRIM FRAME (OPTIONAL)

