

{selection table}

250 W density per linear foot		200 W density per linear foot		150 W density per linear foot		voltage		width		weight	
code	watts	code	watts	code	watts	volts	mm	in.	kg	lb	
CBB6051	500	CBB6041	400	CBB6031	300	120	600	23 5/8	6.4	14	
CBB6058	500	CBB6048	400	CBB6038	300	208	600	23 5/8	6.4	14	
CBB6052	500	CBB6042	400	CBB6032	300	240	600	23 5/8	6.4	14	
CBB6057	500	---	400	---	300	277	600	23 5/8	6.4	14	
CBB6053	500	---	400	---	300	347	600	23 5/8	6.4	14	
---	500	---	400	---	300	480	600	23 5/8	6.4	14	
---	500	---	400	---	300	600	600	23 5/8	6.4	14	
CBB9071	750	CBB9061	600	CBB9041	450	120	900	35 7/16	9.1	20	
CBB9078	750	CBB9068	600	CBB9048	450	208	900	35 7/16	9.1	20	
CBB9072	750	CBB9062	600	CBB9042	450	240	900	35 7/16	9.1	20	
CBB9077	750	CBB9067	600	CBB9047	450	277	900	35 7/16	9.1	20	
CBB9073	750	CBB9063	600	CBB9043	450	347	900	35 7/16	9.1	20	
CBB9075	750	---	600	---	450	480	900	35 7/16	9.1	20	
CBB9076	750	---	600	---	450	600	900	35 7/16	9.1	20	
CBB12101	1000	CBB12081	800	CBB12061	600	120	1200	47 1/4	13.6	30	
CBB12108	1000	CBB12088	800	CBB12068	600	208	1200	47 1/4	13.6	30	
CBB12102	1000	CBB12082	800	CBB12062	600	240	1200	47 1/4	13.6	30	
CBB12107	1000	CBB12087	800	CBB12067	600	277	1200	47 1/4	13.6	30	
CBB12103	1000	CBB12083	800	CBB12063	600	347	1200	47 1/4	13.6	30	
CBB12105	1000	CBB12085	800	---	600	480	1200	47 1/4	13.6	30	
CBB12106	1000	CBB12086	800	---	600	600	1200	47 1/4	13.6	30	
CBB15121	1250	CBB15101	1000	CBB15071	750	120	1500	59 1/16	16.8	37	
CBB15128	1250	CBB15108	1000	CBB15078	750	208	1500	59 1/16	16.8	37	
CBB15122	1250	CBB15102	1000	CBB15072	750	240	1500	59 1/16	16.8	37	
CBB15127	1250	CBB15107	1000	CBB15077	750	277	1500	59 1/16	16.8	37	
CBB15123	1250	CBB15103	1000	CBB15073	750	347	1500	59 1/16	16.8	37	
CBB15125	1250	CBB15105	1000	CBB15075	750	480	1500	59 1/16	16.8	37	
CBB15126	1250	CBB15106	1000	CBB15076	750	600	1500	59 1/16	16.8	37	
CBB18151	1500	CBB18121	1200	CBB18091	900	120	1800	70 7/8	20.0	44	
CBB18158	1500	CBB18128	1200	CBB18098	900	208	1800	70 7/8	20.0	44	
CBB18152	1500	CBB18122	1200	CBB18092	900	240	1800	70 7/8	20.0	44	
CBB18157	1500	CBB18127	1200	CBB18097	900	277	1800	70 7/8	20.0	44	
CBB18153	1500	CBB18123	1200	CBB18093	900	347	1800	70 7/8	20.0	44	
CBB18155	1500	CBB18125	1200	CBB18095	900	480	1800	70 7/8	20.0	44	
CBB18156	1500	CBB18126	1200	CBB18096	900	600	1800	70 7/8	20.0	44	
---	1750	CBB21141	1400	CBB21101	1050	120	2100	82 11/16	23.1	51	
CBB21178	1750	CBB21148	1400	CBB21108	1050	208	2100	82 11/16	23.1	51	
CBB21172	1750	CBB21142	1400	CBB21102	1050	240	2100	82 11/16	23.1	51	
CBB21177	1750	CBB21147	1400	CBB21107	1050	277	2100	82 11/16	23.1	51	
CBB21173	1750	CBB21143	1400	CBB21103	1050	347	2100	82 11/16	23.1	51	
CBB21175	1750	CBB21145	1400	CBB21105	1050	480	2100	82 11/16	23.1	51	
CBB21176	1750	CBB21146	1400	CBB21106	1050	600	2100	82 11/16	23.1	51	
---	2000	---	1600	CBB24121	1200	120	2400	94 1/2	26.7	59	
CBB24208	2000	CBB24168	1600	CBB24128	1200	208	2400	94 1/2	26.7	59	
CBB24202	2000	CBB24162	1600	CBB24122	1200	240	2400	94 1/2	26.7	59	
CBB24207	2000	CBB24167	1600	CBB24127	1200	277	2400	94 1/2	26.7	59	
CBB24203	2000	CBB24163	1600	CBB24123	1200	347	2400	94 1/2	26.7	59	
CBB24205	2000	CBB24165	1600	CBB24125	1200	480	2400	94 1/2	26.7	59	
CBB24206	2000	CBB24166	1600	CBB24126	1200	600	2400	94 1/2	26.7	59	
---	2250	---	1800	CBB27131	1350	120	2700	106 5/16	27.6	61	
CBB27228	2250	CBB27188	1800	CBB27138	1350	208	2700	106 5/16	27.6	61	
CBB27222	2250	CBB27182	1800	CBB27132	1350	240	2700	106 5/16	27.6	61	
CBB27227	2250	CBB27187	1800	CBB27137	1350	277	2700	106 5/16	27.6	61	
CBB27223	2250	CBB27183	1800	CBB27133	1350	347	2700	106 5/16	27.6	61	
CBB27225	2250	CBB27185	1800	CBB27135	1350	480	2700	106 5/16	27.6	61	
CBB27226	2250	CBB27186	1800	CBB27136	1350	600	2700	106 5/16	27.6	61	
---	2500	---	2000	CBB27151	1500	120	2700	106 5/16	27.6	61	
CBB27258	2500	CBB27208	2000	CBB27158	1500	208	2700	106 5/16	27.6	61	
CBB27252	2500	CBB27202	2000	CBB27152	1500	240	2700	106 5/16	27.6	61	
CBB27257	2500	CBB27207	2000	CBB27157	1500	277	2700	106 5/16	27.6	61	
CBB27253	2500	CBB27203	2000	CBB27153	1500	347	2700	106 5/16	27.6	61	
CBB27255	2500	CBB27205	2000	CBB27155	1500	480	2700	106 5/16	27.6	61	
CBB27256	2500	CBB27206	2000	CBB27156	1500	600	2700	106 5/16	27.6	61	

add W for white or A for almond.
 --- not available

CBB

A sturdy sloped top baseboard

When conventional heaters just won't do, opt for a **CBB** commercial baseboard heater.

An ideal choice for schools, gyms, institutions, and any other commercial establishment requiring larger heating capacities, this baseboard heater is designed with a sloped top, making it less likely to be sat on, stepped on, or used as a shelf.

Moreover, it is also suitable for areas intolerant to noise such as showrooms and museums.



{features}

color	· white (W) or almond (A) · other colors available on request
finish	epoxy-polyester powdercoat
manufacturing	· 18-gauge steel cabinet · 16-gauge front panel · thermal protection with automatic reset · full-length wireway (double wireway available upon request)
wattage & voltage	see the selection table
element	· single tubular, stainless steel sheathed element with boxed aluminum fins for improved heat dissipation · securely fastened at its center, floating in nylon sleeves at each end, eliminating expansion and contraction noises
control	· built-in tamper-proof thermostat accessible without removing front grille - optional (not included) · low voltage relay kit - optional (not included)
installation	· surface mount · wall or floor mounted with pedestal kit - optional (not included) · wiring compartments at both ends of unit · blank sections and fillers available for continuous effect* - optional (not included)
warranty	· 10 years (element) · 1 year (unit)

* specific length blank sections available on request.

{accessories}

code	description
CBBT12*	built-in tamper-proof single pole thermostat
CBBT22*	built-in tamper-proof double pole thermostat
CBBRE153*	built-in electronic low voltage relay [15 A @ 120, 208, 277 or 347 V]
CBBRE156*	built-in electronic low voltage relay [6 A @ 600 V]
CBBRE153T*	built-in electronic low voltage relay c/w transformer 24 V [15 A @ 208, 277 or 347 V]
CBBR841C1151*	built-in mechanical low voltage relay c/w transformer 24 V [6000 W @ 600 V]
PK2*	pedestal kit (kit of two)
CBBJS*	joiner strip (2 in.)
CBBIC90*	inside corner (back measures 5 7/8 in. long on each side)
CBBOC90*	outside corner (back measures 5 7/8 in. long on each side)
CBBCB**	clean back (fully finished, no mounting holes or knockouts)

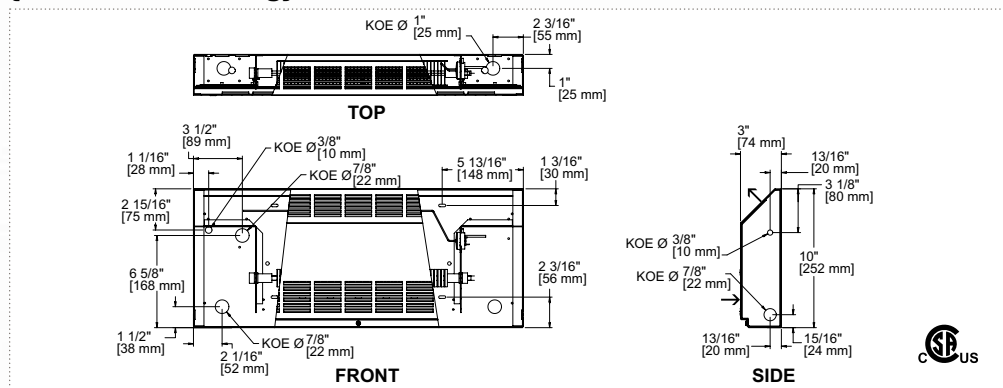
electronic relays can receive a pulsed or on/off signal

* add **W** for white or **A** for almond

* factory installed

* factory installation is strongly recommended

{technical drawing}



sloped top
making it less likely to be sat on, stepped on, or used as a shelf

pages 90 to 96
wall thermostats & accessories

