

B | BRAVA™

ELECTRIC BASEBOARD



BRAVA



THE REFERENCE ON THE MARKET

The B baseboard's reputation is well established. It's simply the most recognized and sought-after baseboard on the market. Now known as the Brava, this strong and durable baseboard stands out thanks to its rounded corners and unique, no-end-cap, one-piece design.

ROUNDED CORNERS

QUICK AND EASY INSTALLATION

STRONG CABINET ONE-PIECE CONSTRUCTION

MAY BE CONTROLLED BY A BUILT-IN OR WALL THERMOSTAT

COLOURS

- **standard:** white, soft white
- **Orora (optional):** refer to www.stelpro.com/en-CA/orora

FINISH

- epoxy-polyester powdercoat

MANUFACTURING

- 22-gauge steel casing able to support 75 kg (165 lb) at its centre
- full-length thermal protection with automatic reset
- cabinet designed to ensure optimal hot air distribution
- full-length wireway

ELEMENT

- single tubular, stainless steel sheathed element with boxed aluminum fins for improved heat dissipation; the element is securely fastened at its centre, floating in nylon sleeves at each end, eliminating expansion and contraction noises

CONTROL

- built-in thermostat installed in the left or right junction box (optional)
- single pole electronic thermostat installed in the left or right junction box (optional)
- wall thermostat (not included) – the use of an electronic thermostat is strongly recommended
- low voltage relay kit installed in the left junction box only (optional)

INSTALLATION

- surface mounted
- knockouts for the BX and clamps for the NMD cables located at each end
- mounting holes spaced at 1-inch intervals along the top and the bottom of the unit

WARRANTY

- five years, *three years on electronic components and lifetime warranty on heating element (for original owner)

IDEAL FOR:

kitchen, living room, bedroom, office, basement, commercial space

°STELPRO

Stelpro reserves the right to modify descriptions, manufacturing specifications or prices without prior notice. No returns accepted on optional-colour products. For all the latest models and prices, please refer to our website at www.stelpro.com.



TECHNICAL SPECIFICATIONS

DENSITY OF 250 W PER LINEAR FOOT	POWER	VOLTAGE	LENGTH		WEIGHT		PRICE
			MM	IN.	KG	LB	
CODE	WATTS	VOLTS					
B0301	300	120	505	19 7/8	2.0	5	68.00
B0308	300	208	505	19 7/8	2.0	5	56.00
B0302	300/225	240/208	505	19 7/8	2.0	5	53.00
---	300	347	505	19 7/8	2.0	5	---
---	300	600	505	19 7/8	2.0	5	---
B0501	500	120	708	27 7/8	3.0	7	72.00
B0508	500	208	708	27 7/8	3.0	7	58.00
B0502	500/375	240/208	708	27 7/8	3.0	7	56.00
B0503	500	347	708	27 7/8	3.0	7	72.00
---	500	600	708	27 7/8	3.0	7	---
B0751	750	120	956	37 5/8	4.1	9	78.00
B0758	750	208	956	37 5/8	4.1	9	67.00
B0752	750/560	240/208	956	37 5/8	4.1	9	64.00
B0753	750	347	956	37 5/8	4.1	9	78.00
B0756	750	600	956	37 5/8	4.1	9	78.00
B1001	1000	120	1207	47 1/2	5.1	11	91.00
B1008	1000	208	1207	47 1/2	5.1	11	78.00
B1002	1000/750	240/208	1207	47 1/2	5.1	11	74.00
B1003	1000	347	1207	47 1/2	5.1	11	91.00
B1006	1000	600	1207	47 1/2	5.1	11	91.00
B1251	1250	120	1454	57 1/4	6.2	14	109.00
B1258	1250	208	1454	57 1/4	6.2	14	90.00
B1252	1250/940	240/208	1454	57 1/4	6.2	14	87.00
B1253	1250	347	1454	57 1/4	6.2	14	109.00
B1256	1250	600	1454	57 1/4	6.2	14	109.00
B1501	1500	120	1683	66 1/4	7.2	16	119.00
B1508	1500	208	1683	66 1/4	7.2	16	98.00
B1502	1500/1125	240/208	1683	66 1/4	7.2	16	95.00
B1503	1500	347	1683	66 1/4	7.2	16	119.00
B1506	1500	600	1683	66 1/4	7.2	16	119.00
---	1750	120	1930	76	8.2	18	---
B1758	1750	208	1930	76	8.2	18	117.00
B1752	1750/1315	240/208	1930	76	8.2	18	113.00
B1753	1750	347	1930	76	8.2	18	142.00
B1756	1750	600	1930	76	8.2	18	142.00
---	2000	120	2130	83 7/8	9.1	20	---
B2008	2000	208	2130	83 7/8	9.1	20	127.00
B2002	2000/1500	240/208	2130	83 7/8	9.1	20	124.00
B2003	2000	347	2130	83 7/8	9.1	20	160.00
B2006	2000	600	2130	83 7/8	9.1	20	160.00
---	2250	120	2381	93 3/4	10.2	22	---
B2258	2250	208	2381	93 3/4	10.2	22	140.00
B2252	2250/1690	240/208	2381	93 3/4	10.2	22	136.00
B2253	2250	347	2381	93 3/4	10.2	22	173.00
B2256	2250	600	2381	93 3/4	10.2	22	173.00
---	2500	120	2607	102 5/8	11.1	24	---
B2508	2500	208	2607	102 5/8	11.1	24	151.00
B2502	2500/1875	240/208	2607	102 5/8	11.1	24	148.00
B2503	2500	347	2607	102 5/8	11.1	24	189.00
B2506	2500	600	2607	102 5/8	11.1	24	189.00

Add W for white or SW for soft white (consult the optional colours chart or contact your Stelpro representative for all other colours).

Models also available in 277 V and 480 V.

--- not available

Please note that the width of the units may vary by more or less 1/16 in. (0.15 cm).



ACCESSORIES

PRODUCT	DESCRIPTION	PRICE
SIBTE12C	built-in electronic thermostat – Celsius [120 V-240 V]	68.00
SIBTE13C	built-in electronic thermostat – Celsius [277 V-347 V]	90.00
SIBT1*	built-in single pole thermostat [120 V-600 V]	30.00
SIBT2*	built-in double pole thermostat [120 V-600 V]	37.00
SIBT2TP*	built-in tamper-proof double pole thermostat [120 V-600 V]	53.00
BRE153*	built-in electronic low voltage relay [15 A @ 120 V-347 V]	69.00
BRE156*	built-in electronic low voltage relay [6 A @ 600 V]	115.00
BRE153T*	built-in electronic low voltage relay c/w transformer 24 V [15 A @ 208 V-347 V]	87.00
BP*	spray paint	47.00

Electronic relays can receive a PWM (pulsed width modulation) or digital (on/off) signal.

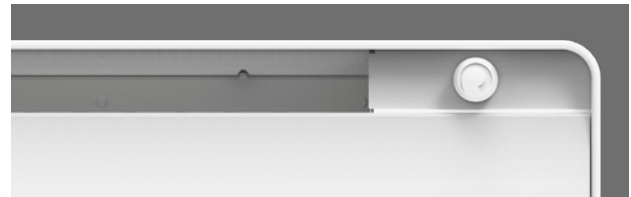
* Add W for white or SW for soft white.

* Factory installation

BUILT-IN THERMOSTATS

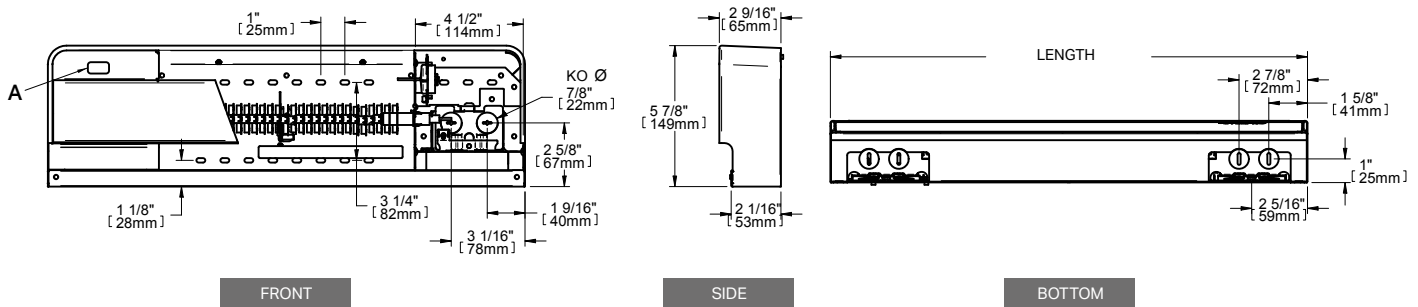


SIBTE - ELECTRONIC



SIBTx - MECHANICAL

TECHNICAL DRAWINGS



A = LOCATION OF BUILT-IN THERMOSTAT (OPTIONAL)

Stelpro reserves the right to modify descriptions, manufacturing specifications or prices without prior notice. No returns accepted on optional-colour products. For all the latest models and prices, please refer to our website at www.stelpro.com.

