

AWF

WALL FAN HEATER



VERSATILITY IS THE NAME OF THE GAME!

The AWF is a high-capacity fan heater that's ideal for building lobbies, long corridors, stairwells, workshops, factories and warehouses. Its electrical element is made of high-quality nichrome that provides an immediate surge of hot air. The various modes of wall installation make the WF heater one of the most versatile fan heaters on the market: it can be surface mounted or recessed, with a variety of models and heating capacities to choose from.

- **GRILLE WITH ROUNDED SIDES**
DURABLE AND STYLISH
- **WIDE RANGE OF MODELS AND HEATING CAPACITIES**
INCLUDING A SINGLE 4800 W MODEL
- **NICHROME ELEMENT**
ASSURING INSTANT HEAT
- **OPTIONAL DISCONNECT SWITCH AVAILABLE**

COLORS

- **standard:** white
- **Orora (optional):** refer to stelpro.com/en/orora/

FINISH

- epoxy-polyester powdercoat

MANUFACTURING

- 20-gauge steel cabinet and 18-gauge steel grille
- top air intake with bottom air discharge
- quiet helicoidal fan:
 - single unit 1 x 160 CFM
 - double unit 2 x 160 CFM
 - triple unit 3 x 160 CFM
- closed and permanently lubricated motor
- thermal protection with automatic reset

ELEMENT

- high-quality nichrome element producing instant heat

CONTROL

- connection of multiple units to the same thermostat is possible with a relay kit without transformer (optional) and an external transformer (not provided)
- built-in thermostat (optional), 3 control knobs included (white, soft white and black) for standard installation, without knob for tamper-proof installation

INSTALLATION

- wall mounted
- recessed or surface mounted with surface adapter (optional)

WARRANTY

- three years



ROUNDED CORNERS

IDEAL FOR:

lobby, corridor, factory, warehouse, stairwell

°STELPRO

Stelpro reserves the right to modify at any time the description, manufacturing, or price of its products. Additionally, Stelpro may apply restocking fees or refuse a refund based on one or more of the following criteria: optional color, custom product, assembly with low-demand options. For the latest product information and prices regarding the products, please visit the website www.stelpro.com.

TECHNICAL SPECIFICATIONS

WITHOUT CONTROL	BUILT-IN THERMOSTAT	240 V CONTROL	24 V CONTROL	POWER		VOLTAGE	MODEL
				WATTS	BTU/H	VOLTS	UNIT
CODE	CODE	CODE	CODE				
AWF1501W	AWF1501TW	---	AWF1501C24W	1500	5119	120	SINGLE
AWF1508W	AWF1508TW	AWF1508CW	AWF1508C24W	1500	5119	208	SINGLE
AWF1502W	AWF1502TW	AWF1502CW	AWF1502C24W	1500/1125	5119/3839	240/208	SINGLE
AWF1507W	AWF1507TW	AWF1507CW	AWF1507C24W	1500	5119	277	SINGLE
---	AWF1505CTW	AWF1505CW	AWF1505C24W	1500	5119	480	SINGLE
AWF2008W	AWF2008TW	AWF2008CW	AWF2008C24W	2000	6825	208	SINGLE
AWF2002W	AWF2002TW	AWF2002CW	AWF2002C24W	2000/1500	6825/5119	240/208	SINGLE
AWF2007W	AWF2007TW	AWF2007CW	AWF2007C24W	2000	6825	277	SINGLE
---	AWF2005CTW	AWF2005CW	AWF2005C24W	2000	6825	480	SINGLE
AWF3008W	AWF3008TW	AWF3008CW	AWF3008C24W	3000	10 238	208	SINGLE
AWF3002W	AWF3002TW	AWF3002CW	AWF3002C24W	3000/2250	10 238/7679	240/208	SINGLE
AWF3007W	AWF3007TW	AWF3007CW	AWF3007C24W	3000	10 238	277	SINGLE
---	AWF3005CTW	AWF3005CW	AWF3005C24W	3000	10 238	480	SINGLE
AWF4008W*	AWF4008TW*	AWF4008CW*	AWF4008C24W*	4000	13 651	208	SINGLE
AWF4002W*	AWF4002TW*	AWF4002CW*	AWF4002C24W*	4000/3000	13 651/10 238	240/208	SINGLE
AWF4007W*	AWF4007TW*	AWF4007CW*	AWF4007C24W*	4000	13 651	277	SINGLE
---	AWF4005CTW*	AWF4005CW*	AWF4005C24W*	4000	13 651	480	SINGLE
AWF4808W	AWF4808TW	AWF4808CW	AWF4808C24W	4800	16 381	208	SINGLE
AWF4802W	AWF4802TW	AWF4802CW	AWF4802C24W	4800/3600	16 381/12 285	240/208	SINGLE
AWF4807W	AWF4807TW	AWF4807CW	AWF4807C24W	4800	16 381	277	SINGLE
---	AWF4805CTW	AWF4805CW	AWF4805C24W	4800	16 381	480	SINGLE
---	AWF6008CTW	AWF6008CW	AWF6008C24W	6000	20 476	208	DOUBLE
---	AWF6002TW	AWF6002CW	AWF6002C24W	6000/4500	20 476/15 357	240/208	DOUBLE
---	AWF6007TW	AWF6007CW	AWF6007C24W	6000	20 476	277	DOUBLE
---	AWF6005CTW	AWF6005CW	AWF6005C24W	6000	20 476	480	DOUBLE
---	AWF60083CTW*	AWF60083CW*	AWF60083C24W*	6000	20 476	208	TRIPLE
---	AWF60053CTW*	AWF60053CW*	AWF60053C24W*	6000	20 476	480	TRIPLE
---	AWF8008CTW	AWF8008CW	AWF8008C24W	8000	27 302	208	DOUBLE
---	AWF8002CTW	AWF8002CW	AWF8002C24W	8000/6000	27 302/20 476	240/208	DOUBLE
---	AWF8007CTW	AWF8007CW	AWF8007C24W	8000	27 302	277	DOUBLE
---	AWF8005CTW	AWF8005CW	AWF8005C24W	8000	27 302	480	DOUBLE
---	AWF90083CTW*	AWF90083CW*	AWF90083C24W*	9000	30 714	208	TRIPLE
---	AWF90053CTW*	AWF90053CW*	AWF90053C24W*	9000	30 714	480	TRIPLE
---	AWF12008CTW	AWF12008CW	AWF12008C24W	12 000	40 952	208	TRIPLE
---	AWF12002CTW	AWF12002CW	AWF12002C24W	12 000/9000	40 952/30 714	240/208	TRIPLE
---	AWF12007CTW	AWF12007CW	AWF12007C24W	12 000	40 952	277	TRIPLE
---	AWF12005CTW	AWF12005CW	AWF12005C24W	12 000	40 952	480	TRIPLE
---	AWF120083CTW*	AWF120083CW*	AWF120083C24W*	12 000	40 952	208	TRIPLE
---	AWF120053CTW*	AWF120053CW*	AWF120053C24W*	12 000	40 952	480	TRIPLE

Consult the optional colors chart or contact your Stelpro representative for all other colors.

* Three-phase unit * Dual wattage (4000/2000 W – 13 651/6825 BTU/HR)

--- not available

ACCESSORIES

PRODUCT	DESCRIPTION
WFT1	built-in single pole thermostat [120 V-600 V] (standard or tamper-proof)
WFT2	built-in double pole thermostat [120 V-600 V] (standard or tamper-proof)
WFS1W	surface adapter (single unit)
WFS2W	surface adapter (double unit)
WFS3W	surface adapter (triple unit)
WFDIS-30*	disconnect switch kit 600 V/30 A, 2 poles
WFDIS-40*	disconnect switch kit 600 V/40 A, 2 poles/3 poles
WFDIS-60*	disconnect switch kit 600 V/60 A, 2 poles/3 poles
WFC24RX*	relay kit without transformer 24 V

* Factory installed

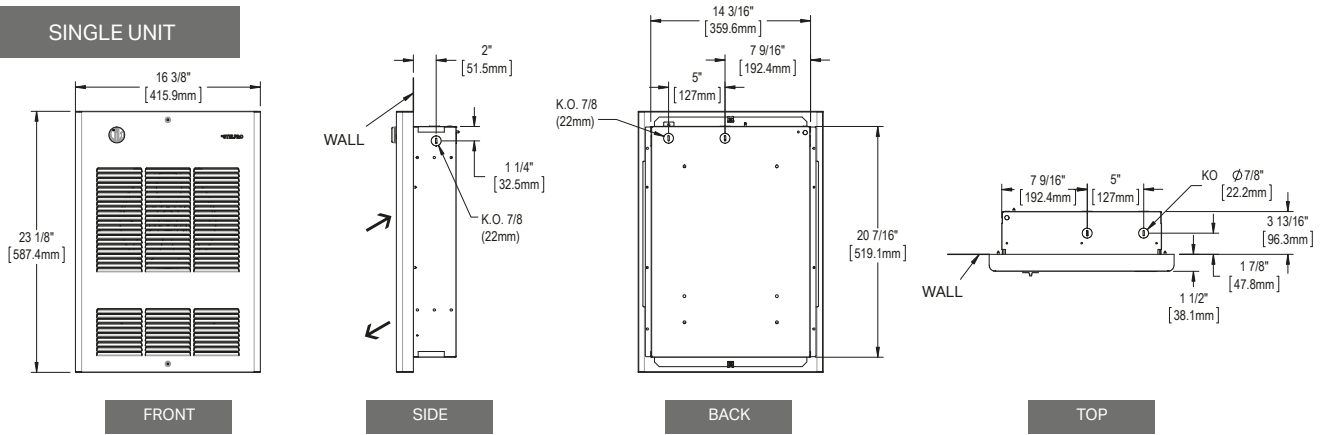


THROW DISTANCE AND HEAT RISE

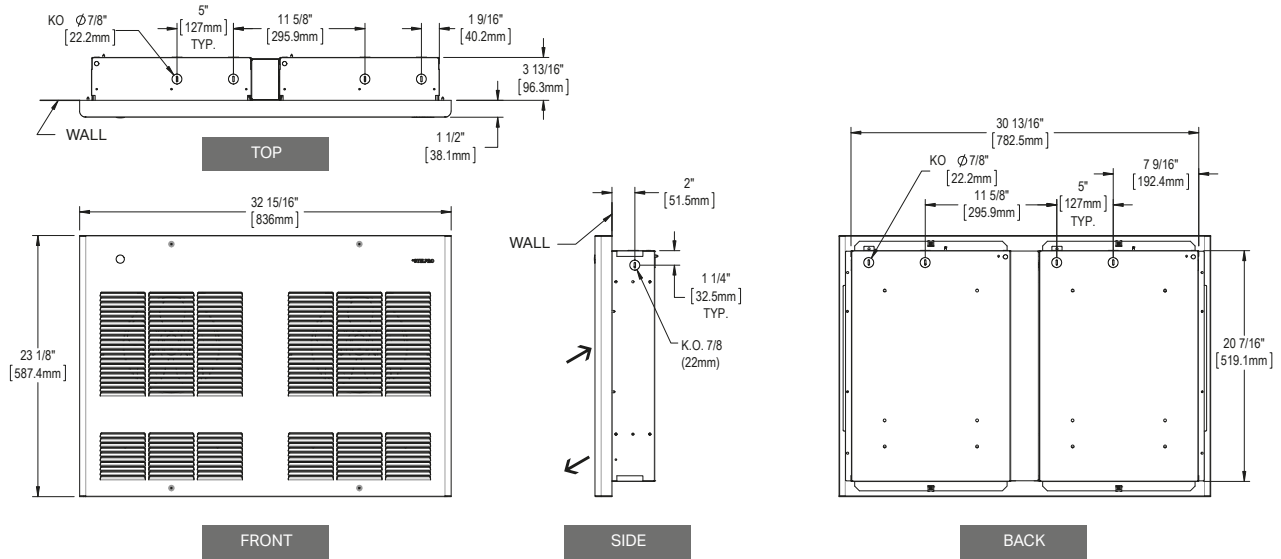
UNITS	THROW DISTANCE	HEAT RISE
KW	FT	°F
1.5	13'7"	30
2	13'7"	40
3	13'7"	59
4	13'7"	79
4.8	13'7"	95
6	13'7"	59
8	13'7"	79
9	13'7"	59
12	13'7"	79

TECHNICAL DRAWINGS

SINGLE UNIT



DOUBLE UNIT



TRIPLE UNIT

