

{selection table}

without control	built-in thermostat	240 V contactor	240 V contactor & built-in thermostat	24 V control	power	voltage	weight	model
code	code	code	code	code	watts	volts	kg	lb
AWF1502	AWF1502T	AWF1502C	---	AWF1502C24	1500/1125	240/208	9	20
AWF1508	AWF1508T	AWF1508C	---	AWF1508C24	1500	208	9	20
AWF1507	AWF1507T	AWF1507C	---	AWF1507C24	1500	277	9	20
---	AWF1503T	AWF1503C	---	AWF1503C24	1500	347	9	20
---	AWF1505T	AWF1505C	---	AWF1505C24	1500	480	9	20
---	AWF1506T	AWF1506C	---	AWF1506C24	1500	600	10	22
AWF2002	AWF2002T	AWF2002C	---	AWF2002C24	2000/1500	240/208	9	20
AWF2008	AWF2008T	AWF2008C	---	AWF2008C24	2000	208	9	20
AWF2007	AWF2007T	AWF2007C	---	AWF2007C24	2000	277	9	20
---	AWF2003T	AWF2003C	---	AWF2003C24	2000	347	9	20
---	AWF2005T	AWF2005C	---	AWF2005C24	2000	480	9	20
---	AWF2006T	AWF2006C	---	AWF2006C24	2000	600	10	22
AWF3002	AWF3002T	AWF3002C	---	AWF3002C24	3000/2250	240/208	9	20
AWF3008	AWF3008T	AWF3008C	---	AWF3008C24	3000	208	9	20
AWF3007	AWF3007T	AWF3007C	---	AWF3007C24	3000	277	9	20
---	AWF3003T	AWF3003C	---	AWF3003C24	3000	347	9	20
---	AWF3005T	AWF3005C	---	AWF3005C24	3000	480	9	20
---	AWF3006T	AWF3006C	---	AWF3006C24	3000	600	10	22
AWF4002	AWF4002T	AWF4002C	---	AWF4002C24	4000/3000	240/208	9	20
AWF4008	AWF4008T	AWF4008C	---	AWF4008C24	4000	208	9	20
AWF4007	AWF4007T	AWF4007C	---	AWF4007C24	4000	277	9	20
---	AWF4003T	AWF4003C	---	AWF4003C24	4000	347	9	20
---	AWF4005T	AWF4005C	---	AWF4005C24	4000	480	9	20
---	AWF4006T	AWF4006C	---	AWF4006C24	4000	600	10	22
---	AWF6002T	AWF6002C	---	AWF6002C24	6000/4500	240/208	18	40
---	---	AWF6008C	AWF6008CT	AWF6008C24	6000	208	18	40
---	AWF6007T	AWF6007C	---	AWF6007C24	6000	277	18	40
---	AWF6003T	AWF6003C	---	AWF6003C24	6000	347	18	40
---	AWF6005T	AWF6005C	---	AWF6005C24	6000	480	20	44
---	AWF6006T	AWF6006C	---	AWF6006C24	6000	600	20	44
---	---	AWF60083C*	AWF60083CT*	AWF60083C24*	6000	208	36	80
---	---	AWF60053C*	AWF60053CT*	AWF60053C24*	6000	480	36	80
---	---	AWF60063C*	AWF60063CT*	AWF60063C24*	6000	600	36	80
---	---	AWF8002C	AWF8002CT	AWF8002C24	8000/6000	240/208	18	40
---	---	AWF8008C	AWF8008CT	AWF8008C24	8000	208	18	40
---	---	AWF8007C	AWF8007CT	AWF8007C24	8000	277	18	40
---	---	AWF8003C	AWF8003CT	AWF8003C24	8000	347	18	40
---	---	AWF8005C	AWF8005CT	AWF8005C24	8000	480	20	44
---	---	AWF8006C	AWF8006CT	AWF8006C24	8000	600	20	44
---	---	AWF90083C*	AWF90083CT*	AWF90083C24*	9000	208	36	80
---	---	AWF90053C*	AWF90053CT*	AWF90053C24*	9000	480	36	80
---	---	AWF90063C*	AWF90063CT*	AWF90063C24*	9000	600	36	80
---	---	AWF12002C	AWF12002CT	AWF12002C24	12000/9000	240/208	36	80
---	---	AWF12008C	AWF12008CT	AWF12008C24	12000	208	36	80
---	---	AWF12007C	AWF12007CT	AWF12007C24	12000	277	36	80
---	---	AWF12003C	AWF12003CT	AWF12003C24	12000	347	36	80
---	---	AWF12005C	AWF12005CT	AWF12005C24	12000	480	36	80
---	---	AWF12006C	AWF12006CT	AWF12006C24	12000	600	36	80
---	---	AWF120083C*	AWF120083CT*	AWF120083C24*	12000	208	36	80
---	---	AWF120053C*	AWF120053CT*	AWF120053C24*	12000	480	36	80
---	---	AWF120063C*	AWF120063CT*	AWF120063C24*	12000	600	36	80

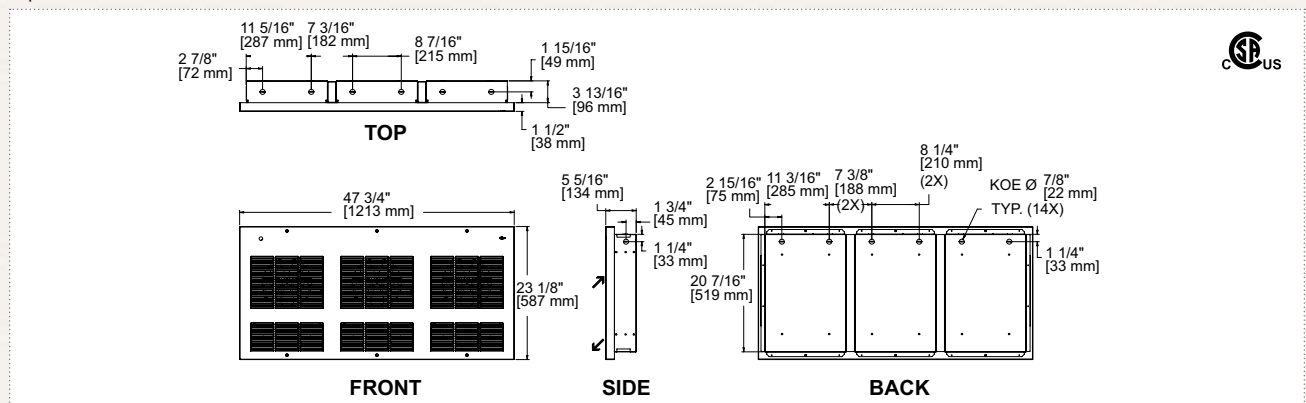
add W for white or A for almond

* three-phase unit

--- not available

{technical drawings}

triple unit

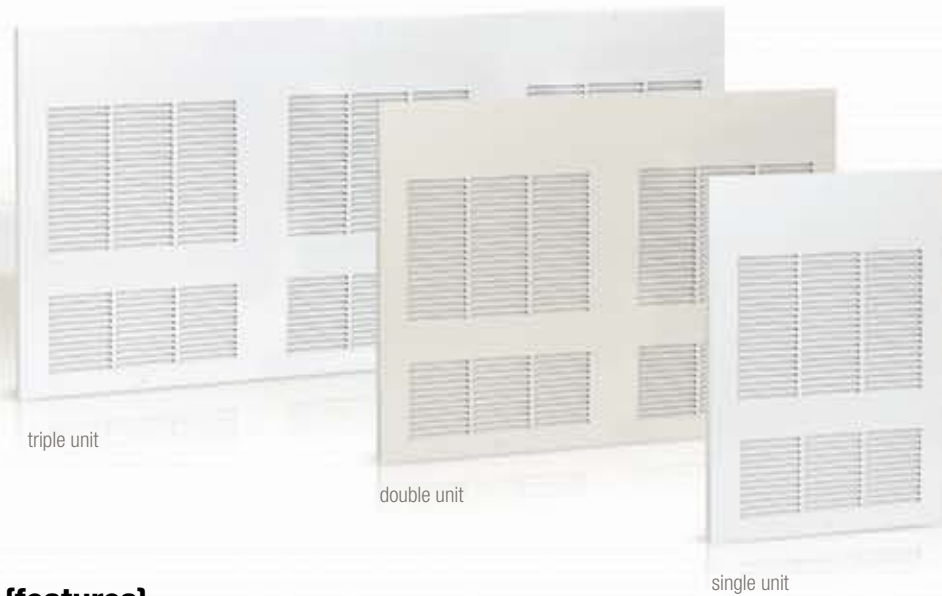


AWF

Fan-driven heat in all shapes and sizes

Because it is the most versatile forced-air heater of its kind, you can always rely on the **WF** wall fan heater to provide for quick heat loss recovery. It is the ideal choice for commercial buildings, hallways and lobbies that require high heating capacity.

Available in a variety of wattages and voltages, the **WF** heater is an efficient heating solution that won't break your budget.



{features}

color	white (W) or almond (A)
finish	epoxy-polyester powdercoat
manufacturing	<ul style="list-style-type: none"> · 20-gauge steel cabinet · 18-gauge steel grille · top air intake with bottom air discharge · fan : <ul style="list-style-type: none"> - 1 x 160 cfm (single unit) - 2 x 160 cfm (double unit) - 3 x 160 cfm (triple unit) · thermal protection with automatic reset
wattage & voltage	see the selection table
element	nichrome element producing instant heat
installation	<ul style="list-style-type: none"> · wall-mounted · recessed or surface-mounted with surface adapter - optional (not included)
warranty	<ul style="list-style-type: none"> · 10 years (element) · 1 year (unit)

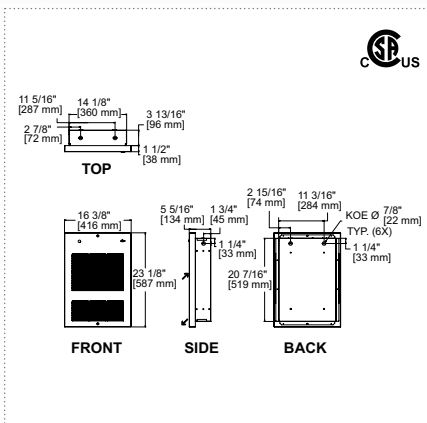
{accessories}

code	description
WFT1	built-in single pole thermostat
WFT2	built-in double pole thermostat
WFA1*	surface adapter (single unit)
WFA2*	surface adapter (double unit)
WFA3*	surface adapter (triple unit)

* add **W** for white or **A** for almond

{technical drawings }

single unit



double unit

